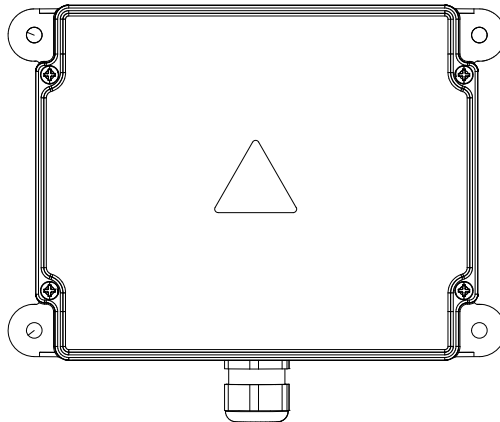


User Manual

Remote Control

R70 Receiver



Revision history

Table of revisions

Date	Changed	Rev
January 2019	Rebranded to Danfoss Power Solutions	0101

Contents

Safety instructions

General safety.....	4
Safety warnings.....	4

Technical description

Dimensions.....	6
Hardware description.....	7

Installation

Receiver installation.....	8
----------------------------	---

Troubleshooting

R70 troubleshooting.....	9
--------------------------	---

Safety instructions

R70 general safety

The following safety instructions must be read carefully in order to install and use the product properly and to keep it in perfect working condition and to reduce the risk of misuse.

Potential damage to operator and product.

Do not use this product on machines in potentially explosive atmospheres unless the model is ATEX/RATEX certified to do so.

- Strictly adhere to the installation instructions contained in this document.
- Make sure that professional and competent personnel carry out the installation.
- Ensure that all site and prevailing safety regulations are fully respected.
- Make sure that this document is permanently available to the operator and maintenance personnel.
- Keep the transmission key when the set is not in use.
- On starting each working day, check to make sure that the STOP button and other safety measures are working.
- When in doubt, press the STOP button.
- Whenever several sets have been installed, make sure the transmitter is the right one. Identify the machine controlled on the label for this purpose on the transmitter or by using the display (in case it has one).
- Service the equipment periodically.
- When carrying out repairs, only use spare parts from Danfoss.

R70 safety warnings

Potential damage to operator and product.

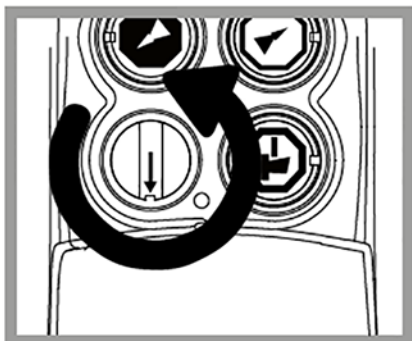
Follow the guidelines below to reduce risk of injury to the operator and the product.

- Use the device with the manufacturer's battery and battery charger (if applicable).
- Only allow qualified personnel to operate the equipment.
- Always set the STOP button in the off position when not in use.
- Always press STOP before plugging in tether cable (if applicable).
- Do not operate product when visibility is limited.
- Make sure product is compatible with the machine.
- Avoid knocking or dropping the product.
- Do not use the product if a failure is detected.

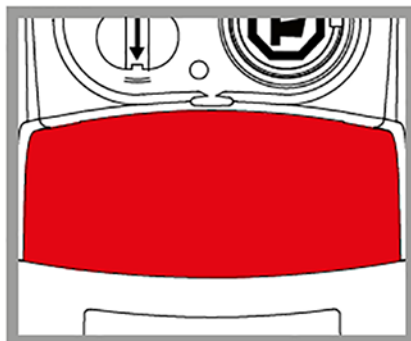
Changes or modifications not approved by Danfoss can void the user's authority to operate this product.

Safety instructions

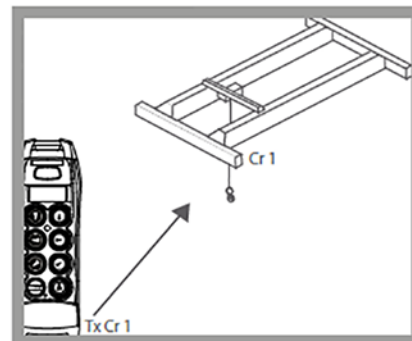
Quick reference precautions



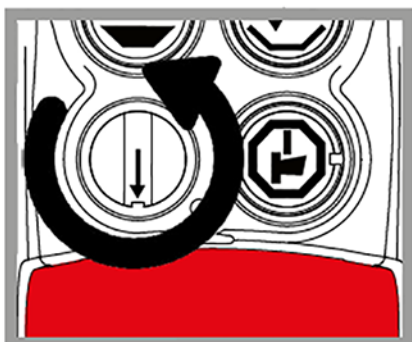
Remove the transmission key only when the set is not in use or to deny the access



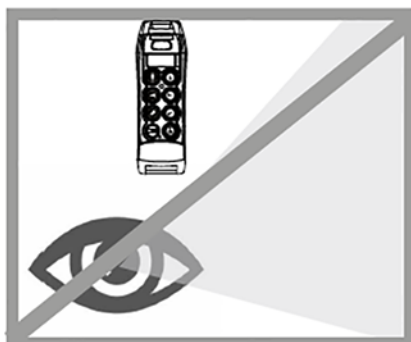
When in doubt, press the STOP button



Make sure the transmitter works with the machine to be handled



After use set the contact key and the STOP button



Do not use the set when visibility is limited

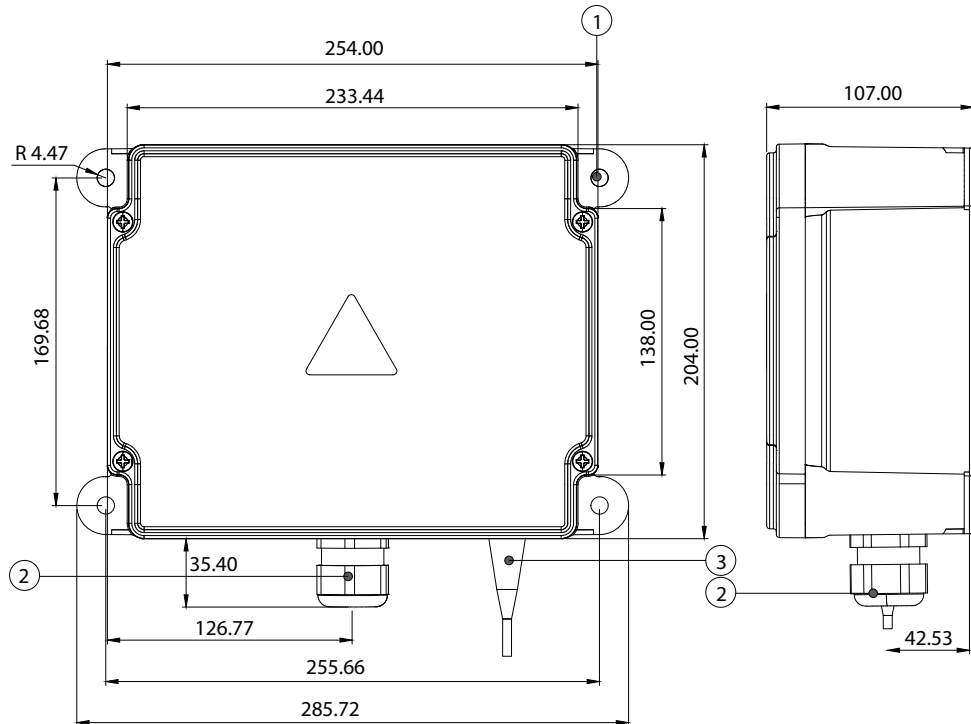


Avoid knocking or dropping the set

Technical description

R70 dimensions

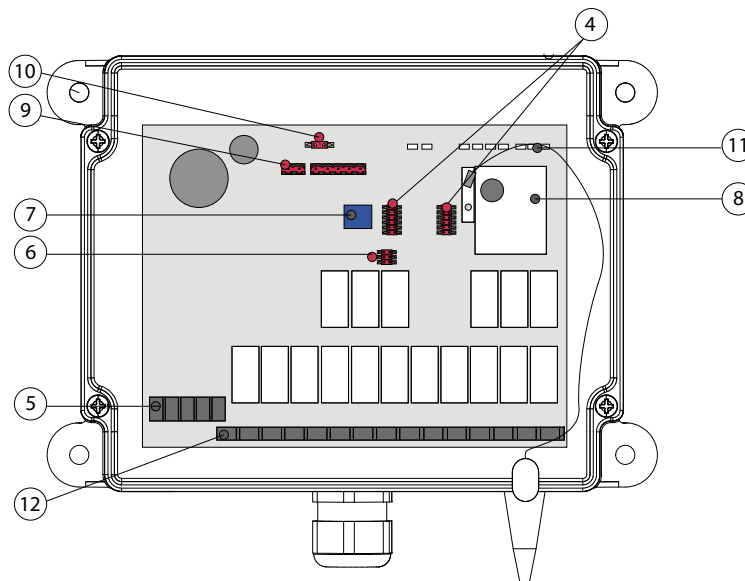
Dimensions in mm



[See next page for callout details.](#)

Technical description

R70 hardware description



1. Fixing slots (fixed assembly or anti-vibration)
2. M32 cable gland
3. External antenna
4. RS232/RS485 socket (only for LR72)
5. Power supply
6. INXXX card socket (only for LR72)
7. Internal removable EEPROM
8. TR800-CE MCX radio
9. CAN connection (only for LR72)
10. BUS termination CAN (only for LR72)
11. Signaling LEDs
12. Wiring connection

Installation

R70 receiver installation

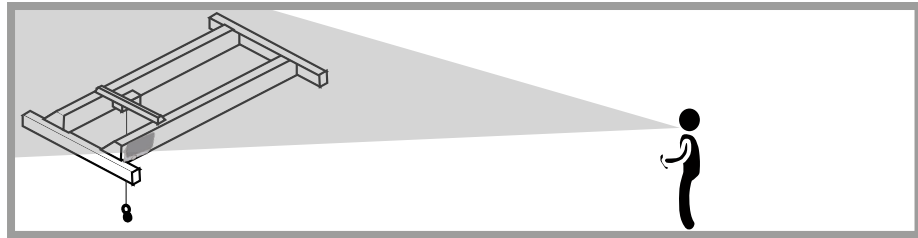
The below information describes hazards to be aware of during installation and steps to locate the receiver.

Risk of shock

Completely shut down the machine when installing the receiver.

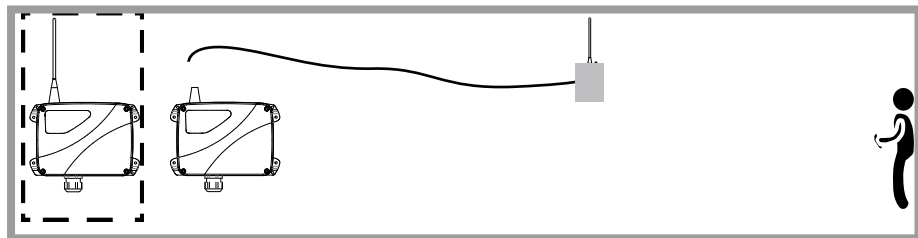
Check the power supply and shut off the main switch to disconnect the interface cable between the receiver and the machine's electrical box.

1. Find an easily accessible and clear location with a direct vision between the receiver's antenna and the transmitter's working area.

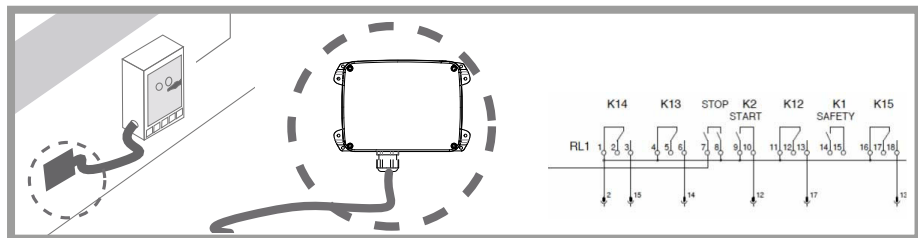


2. Optional: If it is difficult to achieve direct vision between the receiver's antenna and the transmitter's working area, it is recommended to use an extended antenna in a clear location (only for models that allow an antenna).

In areas of high vibration, the use of dampers is advised.



3. Proceed to connect the power supply. Use the connection block diagram provided with the system, where the correspondence between the transmitter maneuvers and the receiver's outputs are detailed.



4. Check if the electrical installation and verify if there's an option to connect the neutral or the ground cable. In that case, don't forget to connect the ground cable.

The use of fireproof or flame retardant cables are recommended for the connection.

Troubleshooting

R70 troubleshooting

LED	Characteristic	Description	Action
POWER	Green; pulsing	Receiver is starting up	Wait until start-up process is finished
HARDOK	Green; continuous	Receiver hardware OK	Operate
	Red; pulsing	EEPROM error; data corruption; CAN bus error (if CANERR activates)	Reprogram EEPROM
	Red; other	Electronic board hardware breakdown	Replace electronic board
SIGNAL	LED off	No radio signal detected	-
	LED on + transmitter switched off	Radio channel occupied	Change transmitter's frequency channel
	LED on + DATA switched off	Radio channel occupied by non Danfoss system	Change transmitter's frequency channel
DATA	LED off + SIGNAL LED on	Radio error	Replace radio
	Green; pulsing	Receiving good frames	OK
ID	LED off + DATA LED on	No valid ID; Danfoss system nearby	If channel not occupied, check chosen ID in the transmitter or reset the receiver
	LED on + SIGNAL LED on + DATA LED on	Valid frames received from the transmitter; correct link	OK
RELAY	Green	STOP relay activated	-
ORDER	Green	-	-
CAN_RUN	Green; switched on	Operational state	OK
	Green; pulsing	Activating operational state	-
CAN_ERR	Red; switched on	CAN bus error	Check CAN connection
	Red; pulsing	No bus connection	Check bus termination resistance
	LED off	Correct communication	OK

Products we offer:

- DCV directional control valves
- Electric converters
- Electric machines
- Electric motors
- Hydrostatic motors
- Hydrostatic pumps
- Orbital motors
- PLUS+1® controllers
- PLUS+1® displays
- PLUS+1® joysticks and pedals
- PLUS+1® operator interfaces
- PLUS+1® sensors
- PLUS+1® software
- PLUS+1® software services, support and training
- Position controls and sensors
- PVG proportional valves
- Steering components and systems
- Telematics

Danfoss Power Solutions is a global manufacturer and supplier of high-quality hydraulic and electric components. We specialize in providing state-of-the-art technology and solutions that excel in the harsh operating conditions of the mobile off-highway market as well as the marine sector. Building on our extensive applications expertise, we work closely with you to ensure exceptional performance for a broad range of applications. We help you and other customers around the world speed up system development, reduce costs and bring vehicles and vessels to market faster.

Danfoss Power Solutions – your strongest partner in mobile hydraulics and mobile electrification.

Go to www.danfoss.com for further product information.

We offer you expert worldwide support for ensuring the best possible solutions for outstanding performance. And with an extensive network of Global Service Partners, we also provide you with comprehensive global service for all of our components.

Comatrol

www.comatrol.com

Turolla

www.turollaocg.com

Hydro-Gear

www.hydro-gear.com

Daikin-Sauer-Danfoss

www.daikin-sauer-danfoss.com

Local address:

**Danfoss
Power Solutions (US) Company**
2800 East 13th Street
Ames, IA 50010, USA
Phone: +1 515 239 6000

**Danfoss
Power Solutions GmbH & Co. OHG**
Krokamp 35
D-24539 Neumünster, Germany
Phone: +49 4321 871 0

**Danfoss
Power Solutions ApS**
Nordborgvej 81
DK-6430 Nordborg, Denmark
Phone: +45 7488 2222

**Danfoss
Power Solutions Trading
(Shanghai) Co., Ltd.**
Building #22, No. 1000 Jin Hai Rd
Jin Qiao, Pudong New District
Shanghai, China 201206
Phone: +86 21 3418 5200

Danfoss can accept no responsibility for possible errors in catalogues, brochures and other printed material. Danfoss reserves the right to alter its products without notice. This also applies to products already on order provided that such alterations can be made without subsequent changes being necessary in specifications already agreed. All trademarks in this material are property of the respective companies. Danfoss and the Danfoss logotype are trademarks of Danfoss A/S. All rights reserved.