

Data Sheet

# Series 45 Axial Piston Open Circuit Pump

## K2 Frame



The future is here – Series 45 open circuit axial piston K2 pumps. The K2 marks the beginning of the next generation of Danfoss open circuit pumps. Designed to optimize weight, and size while offering greater flexibilities.

### Improved performance

With an optimized package, the K2 responds to customer needs by significantly reducing pump weight and package size — while improving performance with increased rated pressure and higher rated speed capabilities. The result is the best combination of package size and weight on the market.

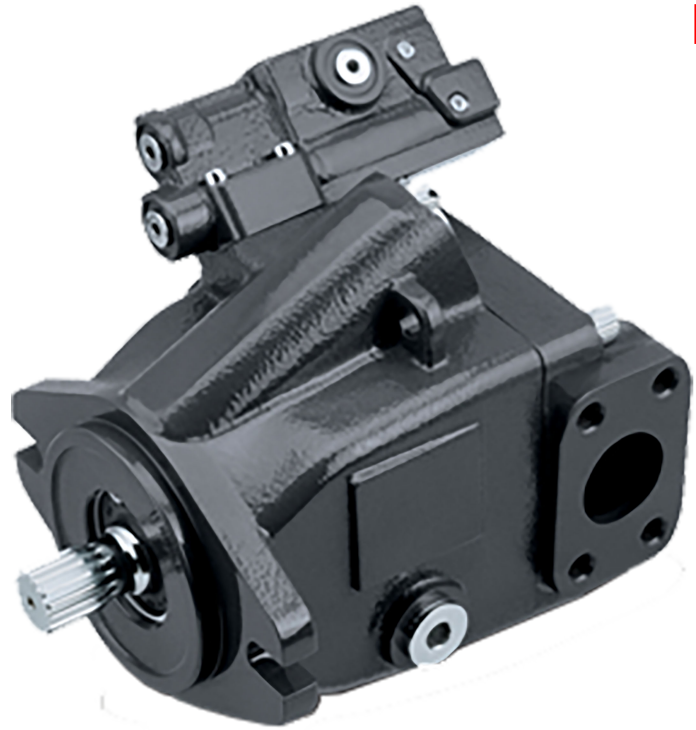
Additional features inside the housing allow for dissipation of noise and vibration, and provides improved low sound power. In combination with the one-piece iron housing and valve plate design, the K2 allows for superior sound reduction that provides a more comfortable experience for the operator and helps meet industry regulations.

### Modularity and flexibility

Four unique endcap styles offer more variation to improve installation flexibility and remove significant weight from the pump. The K2 pump will use common Series 45 J, F, and E style controls, and our new Fan Drive Control for a common control style across frame sizes.

### Features

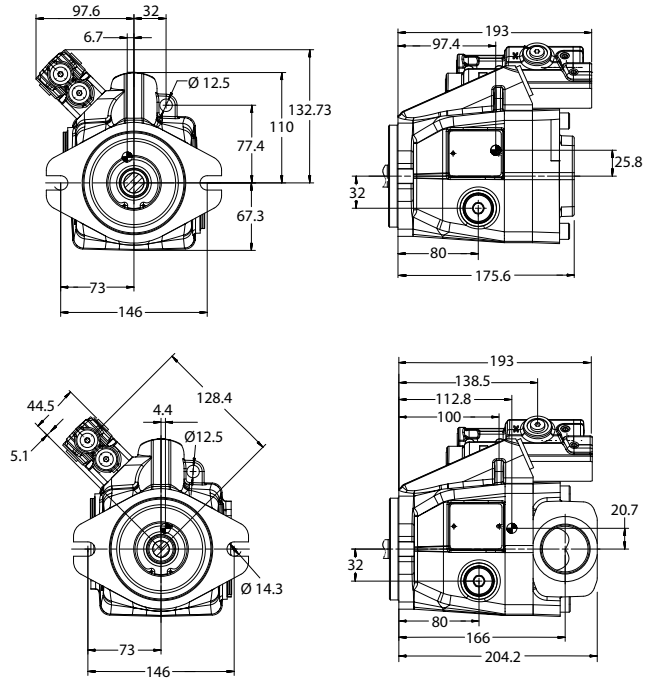
- Reduced Length up to 20%
- Reduced Width up to 10%
- Reduced Weight up to 30%
- Additional endcap variations to reduce installation envelope
- Improved Power Density and Performance
- Increased pressure of up to 50 bar over current L and K Frames
- Increased temperature ratings
- Increased speed ratings
- Proven Reliability
  - Common control with J, F and E Frames making one control for all of S45 family
  - Additional control options
  - New Fan Drive Control (FDC)
  - New PC/LS with On/Off



Comprehensive technical literature is online at [www.danfoss.com](http://www.danfoss.com)

**Dimensions**

S45 K2 axial (top) and radial (bottom) in mm



P109101

**Specifications**

Parameter	Unit	K25C	K30C	K38C	K40C	K45C
Max. displacement	cm <sup>3</sup> [in <sup>3</sup> ]	25 [1.53]	30 [1.83]	38 [2.32]	40 [2.44]	45 [3.97]
Working pressure	bar [psi]	260 [3771]				
Rated input speed	Min.	min <sup>-1</sup> 500				
	Cont.	3450	3200	2900	3100	2900
	Max.	3750	3450	3050	3200	3050
Weight (axial ports)	kg [lb]	16 [35]				

**Control features**

Function type	Pressure comp.	Load sensing	Cold start relief	Power management	Normally open	Normally closed	12v	24v
Pressure comp. only	x							
Pressure comp/load sensing	x	x						
Remote PC	x		x					
Electronic on/off	x		x			x	x	x
Electronic dump	x	x	x		x	x	x	x
Electronic proportional	x		x	x	x	x	x	x
Fan drive control*	x					x	x	x

\* For fan drive applications only.