

Data sheet

## Safety relief valves

### Type SFA 10, SFA 10H and SFA 15



Type SFA 10, SFA 10H and SFA 15 are standard, **back pressure dependent** safety relief valves in angle-way execution, specially designed for protection of vessels and other components against excessive pressure.

The valve is designed to meet the strict quality demands and safety requirements for refrigeration installations, specified by the international classification societies.

The spring housing is closed tightly to avoid refrigerant leakage.

The inlet flow diameters of the valves are:

- 6.8 mm (¼ in.) for SFA 10 and SFA 10H
- 13 mm (½ in.) for SFA 15

The valves can be ordered with set pressure:

- between 10 and 27 bar (145 and 392 psig) for SFA 10
- between 28 and 65 bar (406 and 943 psig) for SFA 10H
- between 10 and 40 bar (145 and 580 psig) for SFA 15

Standard pressure setting valves having "TÜV Pressure Setting Certificate" with each valve, are also available.

#### Features

- SFA 10 and SFA 15 applicable for the refrigerants HCFC, HFC, R717 (Ammonia), R744 (CO<sub>2</sub>) within a temperature range of -50 °C to 100 °C (-58 °F to 212 °F)
- SFA 10H applicable for CO<sub>2</sub> with POE and PAG oil
- Easy installation by threaded connections and Union fitted welding nipples
- Wide capacity range
- Stable set-point and reliable resetting
- Leak proof internal and external
- Easy selection by use of Cool selector
- Available with or without TÜV pressure setting certificate
- Classification:  
To get an updated list of certification on the products please contact your local Danfoss Sales Company.

**Technical data**

- *Refrigerants*

SFA 10 and SFA 15 are with CR O-ring and applicable for the refrigerants HCFC, HFC, R717 (Ammonia), R744 (CO<sub>2</sub>) within a temperature range of -50 °C to 100 °C (-58 °F to 212 °F) and a set pressure not lower than -30 °C (-22 °F) saturation temperature.

SFA 10H is with EPDM O-ring and applicable for CO<sub>2</sub> with POE and PAG oil only within a temperature range of -50 °C to 100 °C (-58 °F to 212 °F).

Flammable hydrocarbons are not recommended. For further information please contact your local Danfoss Sales Company.

*For SFA 10 and SFA 15 with CR O-ring:*

- At static temperatures below -30 °C (-22 °F) the O-ring becomes harder and full tightness of the valve cannot be guaranteed. Above -30 °C (-22 °F) the O-ring will become soft and fully functional again.
- Observe for R744 (CO<sub>2</sub>)! Due to above the min. set pressure for correct functional valve in R744 (CO<sub>2</sub>) is 27 bar (392 psig), to ensure proper function of the valve in case of a sudden relief.
- At static temperatures above 60 °C (140 °F) the lifetime of the CR O-ring will be gradually reduced, and the valve should be serviced more frequently.

In case the valve has relieved please refer to the SFA 10 installation guide.

- *Pressure*

*Pressure setting range:*

SFA 10: 10 – 27 bar (145 – 392 psig).

SFA 10H: 28 – 65 bar (406 – 943 psig).

SFA 15: 10 – 40 bar (145 – 580 psig).

For further information please contact your local Danfoss Sales Company.

Important: The SFA safety relief valve is dependent on the back pressure (if the back pressure is higher than the atmospheric pressure, the opening pressure will be higher than stated set pressure).

- *Pressure setting*

The operating pressure of the plant should be at least 15% below the set pressure and the upstream pressure loss <3% of the valve set pressure. This allows a perfect re-seating of the safety relief valve after having been activated.

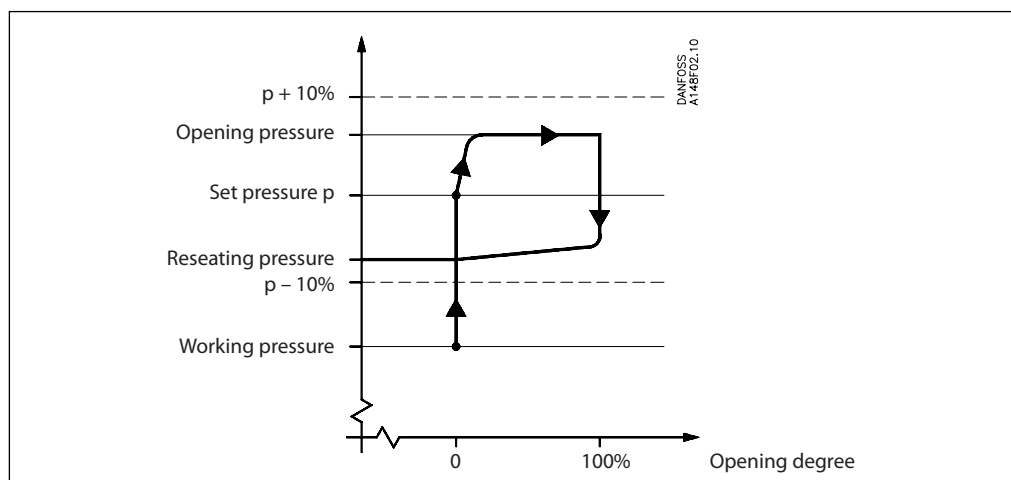
- Special circumstances such as vibrations (which should be avoided) and oscillating pressure may require an increased difference between the operational pressure and the closing pressure.



**Pressure Equipment Directive (PED)**  
 The SFA valves are approved in accordance with the European standard specified in the Pressure Equipment Directive and are CE marked.  
 For further details / restrictions - see Installation guide.

	SFA 10 / SFA 10H	SFA 15
<b>Nominal bore</b>	6.8 mm (¼ in.)	13 mm (0.512 in.)
<b>Classified for</b>	Fluid group I	
<b>Category</b>	IV	

**Design**



SFA is designed as a direct loaded safety valve recommended particularly for refrigeration applications. On a rise in pressure above the set pressure, the safety relief valve will initially start opening slightly, to minimize the outlet of refrigerant. If the pressure continues to increase,

the valve will open fully. The safety relief valve will be fully open before the pressure is 10% higher than set pressure, and fully closed before the pressure is 10% below set pressure.

**Connections**

Available with the following connections:

- Outside pipe thread T (ISO 228/1)
- Welding fittings, outlet (EN 10220)
- NPT male (ANSI/ASME B1.20.1) SFA 10(H) only

It is also recommended that the valves be installed in pairs in conjunction with the double stop valve type DSV10, DSV1 or DSV2. For further information please see the data sheet for DSV.

**Housing**

Made of special steel approved for low temperature operation. Spindle, cone, and seat are made of stainless steel, to ensure precise operation even during extraordinary conditions. The gasket of the valve cone is made of a special chloroprene (neoprene) compound.

**Re-calibration/servicing**

In certain countries the authorities demand that the valves are checked at least once a year (see local rules).

**Installation**

To ensure exact operation of the safety relief valve it should be installed with the spring housing upwards. When the valve is mounted, it is important to avoid the influence of static, dynamic and thermal stress.

**Control/Identification**

After adjustment of the set pressure at Danfoss, the valves are sealed. For that reason Danfoss can only guarantee correct operation, if the seal remains unbroken.

A very precise technique has been applied for the production of the seal. However, this seal can still be damaged, if dirt is blown from the pipe system into the valve.

All valves are provided with a metal plate with the following information:

- Flow diameter
- Set pressure
- Date of production
- Production number
- Type approved code.

It is recommended that safety relief valves exhaust into the open air with a U-pipe filled with oil on the discharge branch, to prevent dirt from penetrating into the valve.

**Transport/Handling**

The valves are fitted with special protection covers and packed into purpose made transportation cartons.

In extreme environments it is recommended to use a valve with bellow instead, to protect the valve from refrigerant contaminated with dirt and particles.

It is important that the cover remains fitted around the valve until it is installed.

*To ensure the exact and precise operation of the valve it must be handled with care.*

**Capacity**

The design and construction of the safety relief valve has been tested and approved by TÜV. This test comprises control of the function of the valve as well as measuring of the capacity, which is the basis of the curves and tables on the following pages. The values in the table are based on saturated gas.

If e.g. back pressure or superheated gas have to be taken into consideration, the formulas or the Danfoss computation program (Coolselector2™) can be used.

*Table 1.*

Valve	Nominal size		Flow diameter $d_o$	Flow area $A_o$	De-rated, certified coefficient of discharge $K_{dr}$	Effective discharge area $A_o \times K_{dr}$
	Inlet	Outlet				
<b>SFA 10</b>	10 mm	15 mm	6.8 mm	36.3 mm <sup>2</sup>	0.85	30.9 mm <sup>2</sup>
<b>SFA 10H</b>	¾ in.	½ in.	0.268 in.	0.056 in <sup>2</sup>		0.048 in <sup>2</sup>
<b>SFA 15</b>	15 mm	20 mm	13 mm	133 mm <sup>2</sup>	0.73	97 mm <sup>2</sup>
	½ in.	¾ in.	0.512 in.	0.206 in <sup>2</sup>		0.150 in <sup>2</sup>

The discharge capacity of the safety relief valves are based on (ISO 4126-1 / EN 1313 6).

$$q_m = 0.2883 \times C \times A_o \times K_{dr} \times K_b \sqrt{p}$$

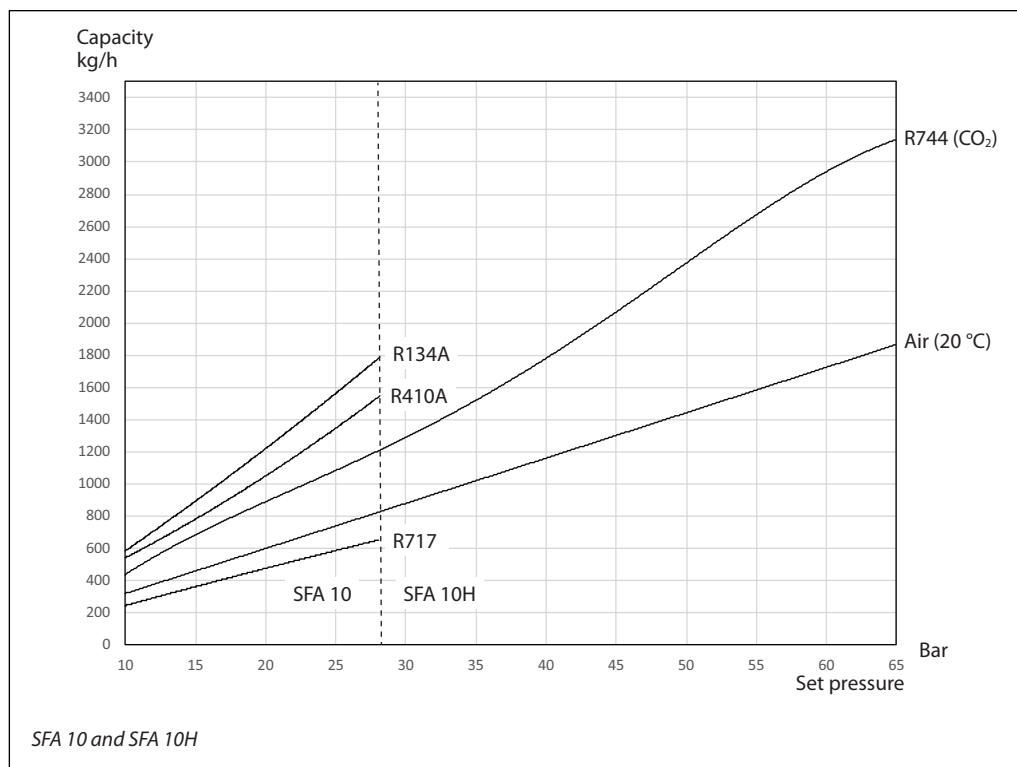
- $q_m$  Discharge capacity (kg/h).
- $C$  Discharge function depending of the actual refrigerant ( $\kappa$ ) see table 2 (-).
- $A_o$  Flow area of the safety relief valve (mm<sup>2</sup>).
- $K_{dr}$  De-rated coefficient of discharge ( $K_{dr} = K_d \times 0.9$ ), (the  $K_{dr}$  is certified by TÜV) see table 1 (-).
- $K_b$  Correction factor for sub-critical flow (-).  
 $K_b = 1.0$  when the back pressure is lower than approx.  $0.5 \times$  relieving pressure ( $P_b < 0.5 \times p$ ).  
*For all SFV safety valves  $K_b = 1.0$*
- $v$  Specific volume of the vapour at the relieving pressure  $p$ . (m<sup>3</sup>/kg).
- $p_{set}$  Set pressure, the predetermined pressure at which a pressure relief valve under operation starts to open ( $p_{set}$  is indicated on the metal plate on the safety relief valve). (barauge)
- $p_{atm}$  Atmospheric pressure (1 bar).
- $p$  Relieving pressure,  $p = p_{set} \times 1.1 + P_{atm}$  (bar absolute).

For further details see the above-mentioned ISO or EN standards.

*Table 2. Properties of refrigerants*

Refrigerant	Isentropic exponent $\kappa$	Discharge function $C$
R22	1.17	2.54
R134a	1.12	2.50
R404A	1.12	2.49
R410A	1.17	2.54
R717 (Ammonia)	1.31	2.64
R744 (CO <sub>2</sub> )	1.30	2.63
Air	1.40	2.70

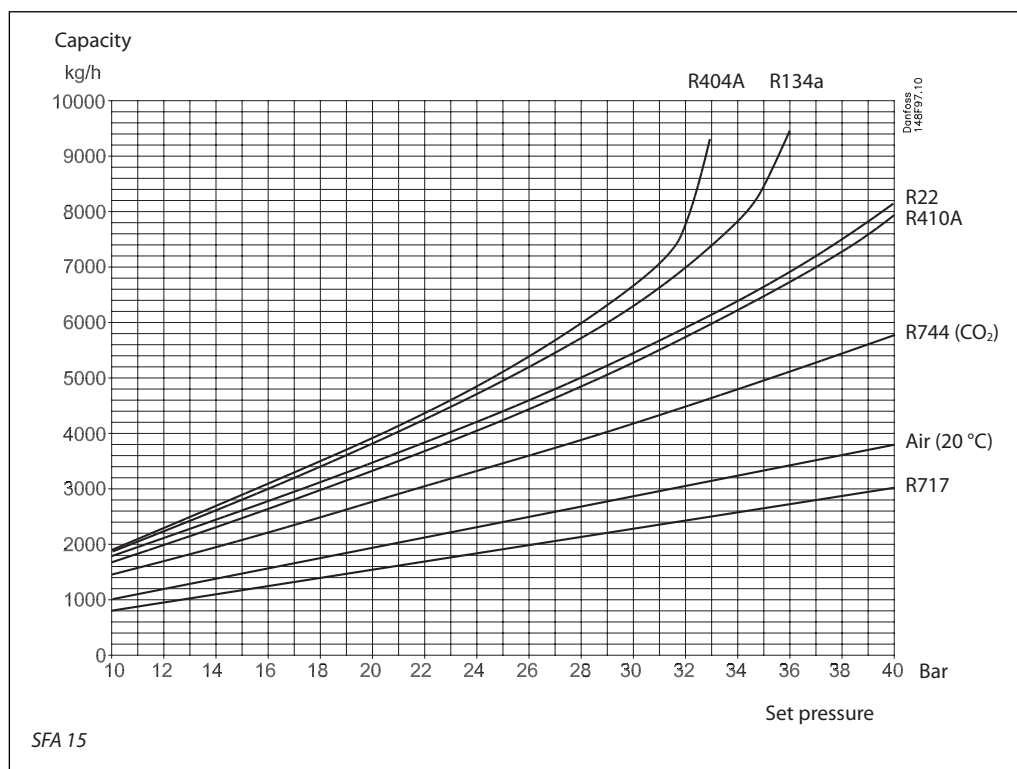
Capacity



Capacity

Set pressure	qm	R134a	R410A	R717	R744 (CO <sub>2</sub> )	Air (20 °C)
10 bar 145 psig	kg/h lb/min	595.1 22.0	533.4 19.7	248.3 9.2	453.2 16.8	315.3 11.7
15 bar 218 psig	kg/h lb/min	889.0 32.9	791.2 29.3	361.7 13.4	662.7 24.5	460.5 17.0
20 bar 290 psig	kg/h lb/min	1208 44.7	1064 39.4	476.8 17.6	877.6 32.5	605.8 22.4
25 bar 363 psig	kg/h lb/min	1567 58.0	1359 50.3	593.9 22.0	1099 40.7	751.0 27.8
30 bar 392 psig	kg/h lb/min				1299 48.1	875.1 32.4
35 bar 145 psig	kg/h lb/min				1535 56.9	1017 37.7
40 bar 218 psig	kg/h lb/min				1784 66.1	1159 42.9
45 bar 290 psig	kg/h lb/min				2050 75.9	1301 48.2
50 bar 363 psig	kg/h lb/min				2341 86.7	1442 53.4
55 bar 392 psig	kg/h lb/min				2668 98.8	1584 58.7
60 bar 363 psig	kg/h lb/min				2994 110.9	1756 65.0
65 bar 392 psig	kg/h lb/min				3115 115.4	1868 69.2

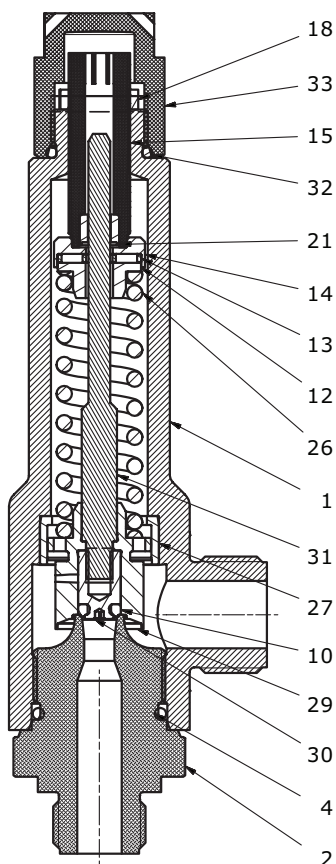
Capacity



Capacity

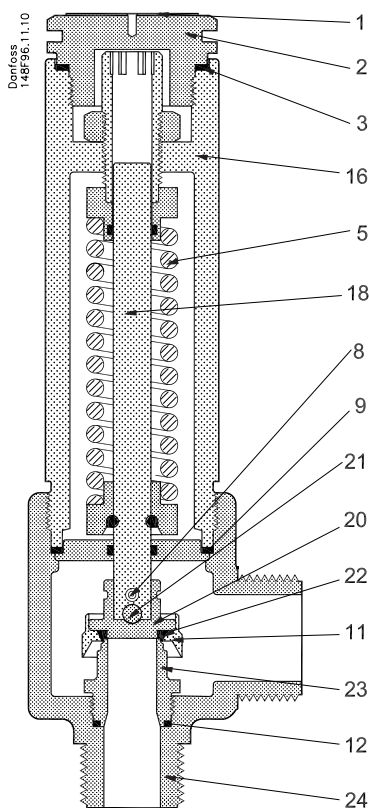
Set pressure	qm	R22	R134a	R404A	R410A	R717	R744 (CO <sub>2</sub> )	Air (20 °C)
10 bar	kg/h	1749	1881	1888	1652	779	1424	1003
145 psig	lb/min	64	69	69	61	29	52	37
15 bar	kg/h	2592	2793	2842	2459	1135	2072	1462
218 psig	lb/min	95	103	104	90	42	76	54
20 bar	kg/h	3471	3804	3883	3305	1492	2747	1922
290 psig	lb/min	128	140	143	121	55	101	71
25 bar	kg/h	4409	4921	5101	4248	1853	3441	2381
363 psig	lb/min	162	181	187	156	68	126	87
30 bar	kg/h	5437	6269	6659	5250	2227	4163	2841
435 psig	lb/min	200	230	245	193	82	153	104
35 bar	kg/h	6633	8370		6450	2608	4936	3301
508 psig	lb/min	244	308		237	96	181	121
40 bar	kg/h	8104			7911	2989	5718	3760
580 psig	lb/min	298			291	110	210	138

Material specification SFA 10 and SFA 10H



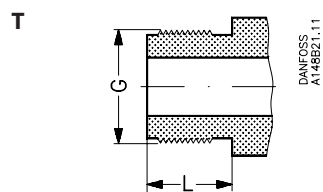
No.	Part	Material	DIN	ISO	ASTM
1	Bonnet long version	Steel, Carbon	P285QH		
2	Inlet body, SFA 10	Stainless Steel, Austenitic	X5CrNi 18-10		AISI 304
4	O-ring 25.07 x 2.62 CR	Chloroprene			
10	O-ring 6.02 x 2.62 CR	SFA 10 Chloroprene SFA 10H EPDM			
12	Lower bearing retainer	Stainless Steel, Austenitic	X8CrNiS18-9		AISI 303
13	Needle roller thrust bearings	Stainless Steel	SUS304-JIS G4305 G102Cr18Mo-GB/T3086		AISI 304
14	Top bearing retainer	Stainless Steel, Austenitic	X8CrNiS18-9		AISI 303
15	Adjusting screw	Stainless Steel	X5CrNi 18-10		AISI 304
18	Locknut SFA 10	Steel	11SMn30		
21	Bushing PTFE	Polystyrene, High Impact			
26	Spring	Steel			
27	Bushing SFA 10	Stainless Steel	X2CrNiMo17		AISI 316L
29	Cone for SFA 10	Stainless Steel	X5CrNi 18-10		AISI 304
30	O-ring Lock screw	Stainless Steel	X5CrNi 18-10		AISI 304
31	Spindle SFA 10	Stainless Steel	X5CrNi 18-10		AISI 304
32	O-ring 19.30 x 2.40	Chloroprene			
33	Cap on SFA 10	Stainless Steel	X5CrNi 18-10		AISI 304

Material specification SFA 15

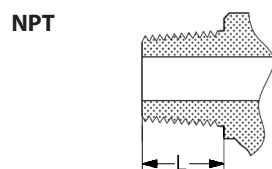


No.	Part	Material	DIN	ISO	ASTM
1	Marking label	Stainless steel			
2	Threaded plug	Steel			
3	Packing washer	Aluminium (Non-asbestos gasket)			
5	Spring	Steel	Class C, DIN17223		
8	Split	Steel	94 ELFORZ		
9	Packing washer	Aluminium (Non-asbestos gasket)			
11	Retainer	Stainless steel	X8CrNiS 18-9		AISI 303, A276
12	Packing washer	Aluminium (Non-asbestos gasket)			
16	Valve top	Steel	G20Mn5QT Alt. S235JRG2 Alt. S355J2G3	Fe360BFN Fe510D1	LCC, A352 A284C A572-50
18	Valve spindle	Stainless steel	X5CrNi 18-10		AISI 304, A276
20	Valve cone	Stainless steel	X8CrNiS 18-9		AISI 303, A276
21	Steel ball	Steel			
22	Valve cone seal	Cloroprene (Neoprene)			
23	Valve seat	Stainless steel	X8CrNiS 18-9		AISI 303, A276
24	Valve housing	Steel	G20Mn5QT Alt. P285QH		LCC, A352 LF2, A350

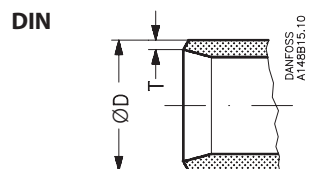


**Data sheet | Safety relief valves, Type SFA 10, SFA 10H and SFA 15**
**Connections**


Type	Size mm	Size in.	Inlet	Outlet				L mm	L in.	
<i>T outside pipe thread, (ISO 228/1)</i>										
<b>SFA 10 and SFA 10H</b>	10	3/8	G 1/2	G 3/4				18	0.71	
<b>SFA 15</b>	15	1/2	G 3/4	G 1				15	0.59	

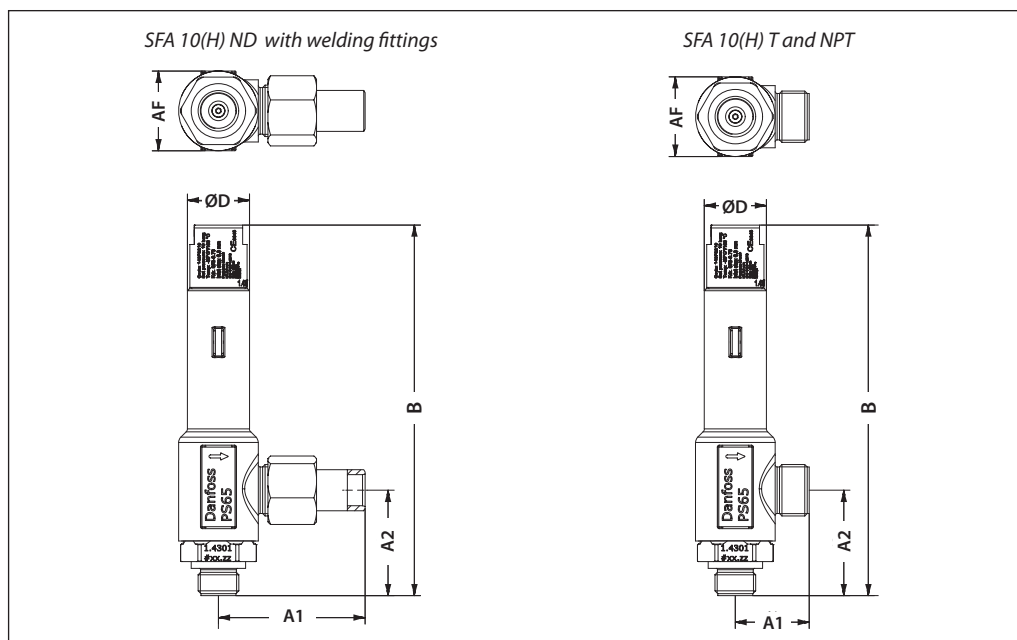


Type	Size mm	Size in.	Inlet	Outlet				L mm	L in.	
<i>NPT outside pipe thread, (ANSI/ASME B 1.20.1)</i>										
<b>SFA 10 and SFA 10H</b>	10	3/8	NPT 1/2	NPT 3/4				24	0.94	



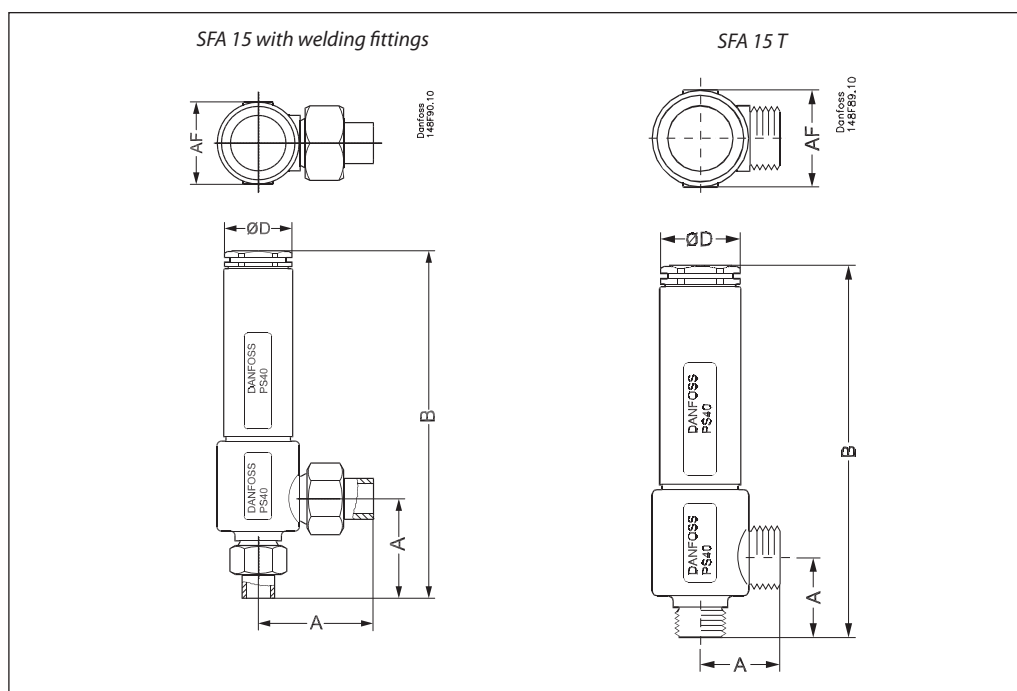
Type	Size mm	Size in.	Inlet (mm)		Inlet (in.)		Outlet (mm)		Outlet (in.)	
			OD	T	OD	T	OD	T	OD	T
<i>Welding fittings, DIN (2448)</i>										
<b>SFA 10 and SFA 10H</b>	10	3/8	-	-	-	-	21.1	2.2	0.83	0.087
<b>SFA 15</b>	15	1/2	21.3	2.3	0.839	0.091	26.9	2.3	1.059	0.091

Dimensions and weights



Valve size		A1	A2	B	ØD	AF	Weight
SFA 10 T	mm	38	54	175	32	41	0.95 kg
	in.	1.5	2.13	6.89	1.26	1.61	2.1 lbs
SFA 10 ND	mm	76	54	175	32	41	1.25 kg
	in.	2.99	2.13	6.89	1.26	1.61	2.75 lbs
SFA 10 NPT	mm	44	64	185	32	41	0.95 kg
	in.	1.73	2.52	7.28	1.26	1.61	2.1 lbs
SFA 10H T	mm	38	54	191	32	41	1.1 kg
	in.	1.5	2.13	7.52	1.26	1.61	2.42 lbs
SFA 10H ND	mm	76	54	191	32	41	1.4 kg
	in.	2.99	2.13	7.52	1.26	1.61	3.1 lbs
SFA 10H NPT	mm	44	64	201	32	41	1.1 kg
	in.	1.73	2.52	7.91	1.26	1.61	2.42 lbs

Specified weights are approximate values only.



Valve size		A	B	ØD	AF	Weight
<i>SFA 15 T, with threaded connections ISO 228/1 pipe threads</i>						
SFA 15 T	mm	45	210	45	55	2.2 kg
(½ in.)	in.	1.77	8.27	1.81	2.17	4.9 lbs
<i>SFA 15 with welding fittings, DIN 2448</i>						
SFA 15	mm	83	248	45	55	2.5 kg
(½ in.)	in.	3.27	9.76	1.81	2.17	5.5 lbs

Specified weights are approximate values only.

**Ordering**

*Certified SFA 10 G thread valves with standard set pressure*

Size		Type	Set pressure bar (psig)	Code number
mm.	in.			
10	3/8	SFA 10 T 210	10 (145)	<b>148F4210</b>
10	3/8	SFA 10 T 211	11 (160)	<b>148F4211</b>
10	3/8	SFA 10 T 212	12 (174)	<b>148F4212</b>
10	3/8	SFA 10 T 213	13 (189)	<b>148F4213</b>
10	3/8	SFA 10 T 214	14 (203)	<b>148F4214</b>
10	3/8	SFA 10 T 215	15 (218)	<b>148F4215</b>
10	3/8	SFA 10 T 216	16 (232)	<b>148F4216</b>
10	3/8	SFA 10 T 217	17 (247)	<b>148F4217</b>
10	3/8	SFA 10 T 218	18 (261)	<b>148F4218</b>
10	3/8	SFA 10 T 219	19 (276)	<b>148F4219</b>
10	3/8	SFA 10 T 220	20 (290)	<b>148F4220</b>
10	3/8	SFA 10 T 221	21 (305)	<b>148F4221</b>
10	3/8	SFA 10 T 222	22 (319)	<b>148F4222</b>
10	3/8	SFA 10 T 223	23 (334)	<b>148F4223</b>
10	3/8	SFA 10 T 224	24 (348)	<b>148F4224</b>
10	3/8	SFA 10 T 225	25 (363)	<b>148F4225</b>
10	3/8	SFA 10 T 226	26 (377)	<b>148F4226</b>
10	3/8	SFA 10 T 227	27 (392)	<b>148F4227</b>

*Certified SFA 10 G-thread valves with standard set pressure and TÜV pressure setting certificate with each valve*

Size		Type	Set pressure bar (psig)	Code number
mm.	in.			
10	3/8	SFA 10 T 310	10 (145)	<b>148F4310</b>
10	3/8	SFA 10 T 311	11 (160)	<b>148F4311</b>
10	3/8	SFA 10 T 312	12 (174)	<b>148F4312</b>
10	3/8	SFA 10 T 313	13 (189)	<b>148F4313</b>
10	3/8	SFA 10 T 314	14 (203)	<b>148F4314</b>
10	3/8	SFA 10 T 315	15 (218)	<b>148F4315</b>
10	3/8	SFA 10 T 316	16 (232)	<b>148F4316</b>
10	3/8	SFA 10 T 317	17 (247)	<b>148F4317</b>
10	3/8	SFA 10 T 318	18 (261)	<b>148F4318</b>
10	3/8	SFA 10 T 319	19 (276)	<b>148F4319</b>
10	3/8	SFA 10 T 320	20 (290)	<b>148F4320</b>
10	3/8	SFA 10 T 321	21 (305)	<b>148F4321</b>
10	3/8	SFA 10 T 322	22 (319)	<b>148F4322</b>
10	3/8	SFA 10 T 323	23 (334)	<b>148F4323</b>
10	3/8	SFA 10 T 324	24 (348)	<b>148F4324</b>
10	3/8	SFA 10 T 325	25 (363)	<b>148F4325</b>
10	3/8	SFA 10 T 326	26 (377)	<b>148F4326</b>
10	3/8	SFA 10 T 327	27 (392)	<b>148F4327</b>

*Certified SFA 10H G-thread valves with standard set pressure*

10	3/8	SFA 10HT 228	28 (406)	<b>148F4228</b>
10	3/8	SFA 10HT 229	29 (421)	<b>148F4229</b>
10	3/8	SFA 10HT 230	30 (435)	<b>148F4230</b>
10	3/8	SFA 10HT 231	31 (450)	<b>148F4231</b>
10	3/8	SFA 10HT 232	32 (464)	<b>148F4232</b>
10	3/8	SFA 10HT 233	33 (479)	<b>148F4233</b>
10	3/8	SFA 10HT 234	34 (493)	<b>148F4234</b>
10	3/8	SFA 10HT 235	35 (508)	<b>148F4235</b>
10	3/8	SFA 10HT 236	36 (522)	<b>148F4236</b>
10	3/8	SFA 10HT 237	37 (537)	<b>148F4237</b>
10	3/8	SFA 10HT 238	38 (551)	<b>148F4238</b>
10	3/8	SFA 10HT 239	39 (566)	<b>148F4239</b>
10	3/8	SFA 10HT 240	40 (580)	<b>148F4240</b>
10	3/8	SFA 10HT 241	41 (595)	<b>148F4241</b>
10	3/8	SFA 10HT 242	42 (609)	<b>148F4242</b>
10	3/8	SFA 10HT 243	43 (624)	<b>148F4243</b>
10	3/8	SFA 10HT 244	44 (638)	<b>148F4244</b>
10	3/8	SFA 10HT 245	45 (653)	<b>148F4245</b>
10	3/8	SFA 10HT 246	46 (667)	<b>148F4246</b>
10	3/8	SFA 10HT 247	47 (682)	<b>148F4247</b>
10	3/8	SFA 10HT 248	48 (696)	<b>148F4248</b>
10	3/8	SFA 10HT 249	49 (711)	<b>148F4249</b>
10	3/8	SFA 10HT 250	50 (725)	<b>148F4250</b>
10	3/8	SFA 10HT 251	51 (740)	<b>148F4251</b>
10	3/8	SFA 10HT 252	52 (754)	<b>148F4252</b>
10	3/8	SFA 10HT 253	53 (769)	<b>148F4253</b>
10	3/8	SFA 10HT 254	54 (783)	<b>148F4254</b>
10	3/8	SFA 10HT 255	55 (798)	<b>148F4255</b>
10	3/8	SFA 10HT 256	56 (812)	<b>148F4256</b>
10	3/8	SFA 10HT 257	57 (827)	<b>148F4257</b>
10	3/8	SFA 10HT 258	58 (841)	<b>148F4258</b>
10	3/8	SFA 10HT 259	59 (856)	<b>148F4259</b>
10	3/8	SFA 10HT 260	60 (870)	<b>148F4260</b>
10	3/8	SFA 10HT 261	61 (885)	<b>148F4261</b>
10	3/8	SFA 10HT 262	62 (899)	<b>148F4262</b>
10	3/8	SFA 10HT 263	63 (914)	<b>148F4263</b>
10	3/8	SFA 10HT 264	64 (928)	<b>148F4264</b>
10	3/8	SFA 10HT 265	65 (943)	<b>148F4265</b>

*Certified SFA 10H G-thread valves with standard set pressure and TÜV pressure setting certificate with each valve*

10	3/8	SFA 10HT 328	28 (406)	<b>148F4328</b>
10	3/8	SFA 10HT 329	29 (421)	<b>148F4329</b>
10	3/8	SFA 10HT 330	30 (435)	<b>148F4330</b>
10	3/8	SFA 10HT 331	31 (450)	<b>148F4331</b>
10	3/8	SFA 10HT 332	32 (464)	<b>148F4332</b>
10	3/8	SFA 10HT 333	33 (479)	<b>148F4333</b>
10	3/8	SFA 10HT 334	34 (493)	<b>148F4334</b>
10	3/8	SFA 10HT 335	35 (508)	<b>148F4335</b>
10	3/8	SFA 10HT 336	36 (522)	<b>148F4336</b>
10	3/8	SFA 10HT 337	37 (537)	<b>148F4337</b>
10	3/8	SFA 10HT 338	38 (551)	<b>148F4338</b>
10	3/8	SFA 10HT 339	39 (566)	<b>148F4339</b>
10	3/8	SFA 10HT 340	40 (580)	<b>148F4340</b>
10	3/8	SFA 10HT 341	41 (595)	<b>148F4341</b>
10	3/8	SFA 10HT 342	42 (609)	<b>148F4342</b>
10	3/8	SFA 10HT 343	43 (624)	<b>148F4343</b>
10	3/8	SFA 10HT 344	44 (638)	<b>148F4344</b>
10	3/8	SFA 10HT 345	45 (653)	<b>148F4345</b>
10	3/8	SFA 10HT 346	46 (667)	<b>148F4346</b>
10	3/8	SFA 10HT 347	47 (682)	<b>148F4347</b>
10	3/8	SFA 10HT 348	48 (696)	<b>148F4348</b>
10	3/8	SFA 10HT 349	49 (711)	<b>148F4349</b>
10	3/8	SFA 10HT 350	50 (725)	<b>148F4350</b>
10	3/8	SFA 10HT 351	51 (740)	<b>148F4351</b>
10	3/8	SFA 10HT 352	52 (754)	<b>148F4352</b>
10	3/8	SFA 10HT 353	53 (769)	<b>148F4353</b>
10	3/8	SFA 10HT 354	54 (783)	<b>148F4354</b>
10	3/8	SFA 10HT 355	55 (798)	<b>148F4355</b>
10	3/8	SFA 10HT 356	56 (812)	<b>148F4356</b>
10	3/8	SFA 10HT 357	57 (827)	<b>148F4357</b>
10	3/8	SFA 10HT 358	58 (841)	<b>148F4358</b>
10	3/8	SFA 10HT 359	59 (856)	<b>148F4359</b>
10	3/8	SFA 10HT 360	60 (870)	<b>148F4360</b>
10	3/8	SFA 10HT 361	61 (885)	<b>148F4361</b>
10	3/8	SFA 10HT 362	62 (899)	<b>148F4362</b>
10	3/8	SFA 10HT 363	63 (914)	<b>148F4363</b>
10	3/8	SFA 10HT 364	64 (928)	<b>148F4364</b>
10	3/8	SFA 10HT 365	65 (943)	<b>148F4365</b>

*Certified SFA 10 NPT valves with standard set pressure*

Size		Type	Set pressure bar (psig)	Code number
mm.	in.			
10	3/8	SFA 10 NPT 213	13 (189)	<b>148F5213</b>
10	3/8	SFA 10 NPT 216	16 (232)	<b>148F5216</b>
10	3/8	SFA 10 NPT 217	17 (247)	<b>148F5217</b>
10	3/8	SFA 10 NPT 218	18 (261)	<b>148F5218</b>
10	3/8	SFA 10 NPT 220	20 (290)	<b>148F5220</b>
10	3/8	SFA 10 NPT 221	21 (305)	<b>148F5221</b>
10	3/8	SFA 10 NPT 222	22 (319)	<b>148F5222</b>
10	3/8	SFA 10 NPT 224	24 (348)	<b>148F5224</b>
10	3/8	SFA 10 NPT 225	25 (363)	<b>148F5225</b>

*Certified SFA 10 NPT valves with standard set pressure + DSV 10 NPT*

Size		Type	Set pressure bar (psig)	Code number
mm.	in.			
10	3/8	SFA 10/DSV 10 NPT 213	13 (189)	<b>148F6313</b>
10	3/8	SFA 10/DSV 10 NPT 216	16 (232)	<b>148F6316</b>
10	3/8	SFA 10/DSV 10 NPT 217	17 (247)	<b>148F6317</b>
10	3/8	SFA 10/DSV 10 NPT 218	18 (261)	<b>148F6318</b>
10	3/8	SFA 10/DSV 10 NPT 220	20 (290)	<b>148F6320</b>
10	3/8	SFA 10/DSV 10 NPT 221	21 (305)	<b>148F6321</b>
10	3/8	SFA 10/DSV 10 NPT 222	22 (319)	<b>148F6322</b>
10	3/8	SFA 10/DSV 10 NPT 224	24 (348)	<b>148F6324</b>
10	3/8	SFA 10/DSV 10 NPT 225	25 (363)	<b>148F6325</b>

*Certified SFA 10H NPT valves with standard set pressure*

10	3/8	SFA 10H NPT 228	28 (406)	<b>148F5228</b>
10	3/8	SFA 10H NPT 232	32 (464)	<b>148F5232</b>
10	3/8	SFA 10H NPT 235	35 (508)	<b>148F5235</b>
10	3/8	SFA 10H NPT 238	38 (551)	<b>148F5238</b>
10	3/8	SFA 10H NPT 240	40 (580)	<b>148F5240</b>
10	3/8	SFA 10H NPT 250	50 (725)	<b>148F5250</b>
10	3/8	SFA 10H NPT 252	52 (754)	<b>148F5252</b>
10	3/8	SFA 10H NPT 260	60 (870)	<b>148F5260</b>
10	3/8	SFA 10H NPT 265	65 (943)	<b>148F5265</b>

*Certified SFA 10H NPT valves with standard set pressure + DSV 10 NPT*

10	3/8	SFA 10H/DSV 10 NPT 228	28 (406)	<b>148F6328</b>
10	3/8	SFA 10H/DSV 10 NPT 232	32 (464)	<b>148F6332</b>
10	3/8	SFA 10H/DSV 10 NPT 235	35 (508)	<b>148F6335</b>
10	3/8	SFA 10H/DSV 10 NPT 238	38 (551)	<b>148F6338</b>
10	3/8	SFA 10H/DSV 10 NPT 240	40 (580)	<b>148F6340</b>
10	3/8	SFA 10H/DSV 10 NPT 250	50 (725)	<b>148F6350</b>
10	3/8	SFA 10H/DSV 10 NPT 252	52 (754)	<b>148F6352</b>
10	3/8	SFA 10H/DSV 10 NPT 260	60 (870)	<b>148F6360</b>
10	3/8	SFA 10H/DSV 10 NPT 265	65 (943)	<b>148F6365</b>

*Certified SFA 15 T valves with standard set pressure*

Size		Type	Set pressure bar (psig)	Code number
mm	in.			
15	1/2	SFA 15 T 210	10 (145)	<b>148F3210</b>
15	1/2	SFA 15 T 211	11 (160)	<b>148F3211</b>
15	1/2	SFA 15 T 212	12 (174)	<b>148F3212</b>
15	1/2	SFA 15 T 213	13 (189)	<b>148F3213</b>
15	1/2	SFA 15 T 214	14 (203)	<b>148F3214</b>
15	1/2	SFA 15 T 215	15 (218)	<b>148F3215</b>
15	1/2	SFA 15 T 216	16 (232)	<b>148F3216</b>
15	1/2	SFA 15 T 217	17 (247)	<b>148F3217</b>
15	1/2	SFA 15 T 218	18 (261)	<b>148F3218</b>
15	1/2	SFA 15 T 219	19 (276)	<b>148F3219</b>
15	1/2	SFA 15 T 220	20 (290)	<b>148F3220</b>
15	1/2	SFA 15 T 221	21 (305)	<b>148F3221</b>
15	1/2	SFA 15 T 222	22 (319)	<b>148F3222</b>
15	1/2	SFA 15 T 223	23 (334)	<b>148F3223</b>
15	1/2	SFA 15 T 224	24 (348)	<b>148F3224</b>
15	1/2	SFA 15 T 225	25 (363)	<b>148F3225</b>
15	1/2	SFA 15 T 226	26 (377)	<b>148F3226</b>
15	1/2	SFA 15 T 227	27 (392)	<b>148F3227</b>
15	1/2	SFA 15 T 228	28 (406)	<b>148F3228</b>
15	1/2	SFA 15 T 229	29 (421)	<b>148F3229</b>
15	1/2	SFA 15 T 230	30 (435)	<b>148F3230</b>
15	1/2	SFA 15 T 231	31 (450)	<b>148F3231</b>
15	1/2	SFA 15 T 232	32 (464)	<b>148F3232</b>
15	1/2	SFA 15 T 233	33 (479)	<b>148F3233</b>
15	1/2	SFA 15 T 234	34 (493)	<b>148F3234</b>
15	1/2	SFA 15 T 235	35 (508)	<b>148F3235</b>
15	1/2	SFA 15 T 236	36 (522)	<b>148F3236</b>
15	1/2	SFA 15 T 237	37 (537)	<b>148F3237</b>
15	1/2	SFA 15 T 238	38 (551)	<b>148F3238</b>
15	1/2	SFA 15 T 239	39 (566)	<b>148F3239</b>
15	1/2	SFA 15 T 240	40 (580)	<b>148F3240</b>

*Certified SFA 15 T valves with standard set pressure and TÜV pressure setting certificate with each valve*

Size		Type	Set pressure bar (psig)	Code number
mm	in.			
15	1/2	SFA 15 T 310	10 (145)	<b>148F3310</b>
15	1/2	SFA 15 T 311	11 (160)	<b>148F3311</b>
15	1/2	SFA 15 T 312	12 (174)	<b>148F3312</b>
15	1/2	SFA 15 T 313	13 (189)	<b>148F3313</b>
15	1/2	SFA 15 T 314	14 (203)	<b>148F3314</b>
15	1/2	SFA 15 T 315	15 (218)	<b>148F3315</b>
15	1/2	SFA 15 T 316	16 (232)	<b>148F3316</b>
15	1/2	SFA 15 T 317	17 (247)	<b>148F3317</b>
15	1/2	SFA 15 T 318	18 (261)	<b>148F3318</b>
15	1/2	SFA 15 T 319	19 (276)	<b>148F3319</b>
15	1/2	SFA 15 T 320	20 (290)	<b>148F3320</b>
15	1/2	SFA 15 T 321	21 (305)	<b>148F3321</b>
15	1/2	SFA 15 T 322	22 (319)	<b>148F3322</b>
15	1/2	SFA 15 T 323	23 (334)	<b>148F3323</b>
15	1/2	SFA 15 T 324	24 (348)	<b>148F3324</b>
15	1/2	SFA 15 T 325	25 (363)	<b>148F3325</b>
15	1/2	SFA 15 T 326	26 (377)	<b>148F3326</b>
15	1/2	SFA 15 T 327	27 (392)	<b>148F3327</b>
15	1/2	SFA 15 T 328	28 (406)	<b>148F3328</b>
15	1/2	SFA 15 T 329	29 (421)	<b>148F3329</b>
15	1/2	SFA 15 T 330	30 (435)	<b>148F3330</b>
15	1/2	SFA 15 T 331	31 (450)	<b>148F3331</b>
15	1/2	SFA 15 T 332	32 (464)	<b>148F3332</b>
15	1/2	SFA 15 T 333	33 (479)	<b>148F3333</b>
15	1/2	SFA 15 T 334	34 (493)	<b>148F3334</b>
15	1/2	SFA 15 T 335	35 (508)	<b>148F3335</b>
15	1/2	SFA 15 T 336	36 (522)	<b>148F3336</b>
15	1/2	SFA 15 T 337	37 (537)	<b>148F3337</b>
15	1/2	SFA 15 T 338	38 (551)	<b>148F3338</b>
15	1/2	SFA 15 T 339	39 (566)	<b>148F3339</b>
15	1/2	SFA 15 T 340	40 (580)	<b>148F3340</b>

## Ordering

### Spare parts

Type	Code number
SFA 10(H)/DSV 10 Inspection kit	148F3068
SFA 10 Repair Kit 10 – 27 bar*	148F3069
SFA 10H Repair Kit 28 – 65 bar*	148F3070
SFA 15/DSV 1 inspection kit	148F3029
Repair kit SFA 15	148F3036

\* Inspection kit should be ordered with any repair kit

### Accessories

Type	Code number
DSV/SFA/SFV Non-stick grease	148F3064
DSV 10 Cap and alu gasket for testing (1 set)	148F3063
DSV 10 T Plug ½" NPT (1 set)	148F3072
SFA 10(H) G Inlet weld connector	148F3075
SFA 10(H) NPT Inlet weld connector	148F3076
Nipples + gaskets set for SFA 10(H), SFV 15/SFA 15*	148F3019

\*Weld nipple for SFA 10(H) inlet (G ½") not included in 148F3019.  
Order 148F3075 in addition to.