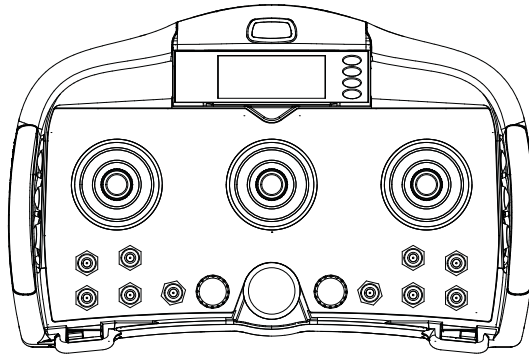


User Manual

# Remote Controls

## IK4 Transmitters



**Revision history***Table of revisions*

<b>Date</b>	<b>Changed</b>	<b>Rev</b>
May 2021	Added trouble shooting and start-up information for TR2400	0201
February 2019	Rebranded to Danfoss Power Solutions	0101

**Contents****Safety instructions**

FCC rules.....	4
General safety.....	4
Safety warnings.....	5

**Technical description**

Dimensions and identification.....	6
Start up.....	7
IK Transmitters Start up (2.4 GHz).....	7
IK4 Detailed description.....	9

**Maintenance**

Maintenance tips.....	10
Troubleshooting (400-900 MHz).....	10
Troubleshooting 2.4 GHz.....	10

**Charger and battery**

Charger and battery.....	12
CB70 and BT27IK specifications.....	12
Setting up the CB70 battery charger.....	12
CB70 status LEDs.....	13
Battery Charging Recommendations.....	13
CB70 battery charger dimensions.....	14

## Safety instructions

### FCC rules

This equipment has been tested and found to comply with the limits for a Class A digital device, pursuant to Part 15 of the FCC Rules.

---

Changes or modifications not expressly approved by the manufacturer can void the user's authority to operate the equipment.

---

To comply with FCC RF exposure compliance requirements, this device and its antenna must not be collocated with, or operating in conjunction with, any other antenna or transmitter, may not cause harmful interference, and must accept any interference received, including interference that may cause undesired operation.

---

The limits are designed to provide reasonable protection against harmful interference when the equipment is operated in a commercial environment. This equipment generates, uses, and can radiate radio frequency energy, and if not installed and used in accordance with the instruction manual, may cause harmful interference to radio communications.

Operation of this equipment in a residential area is likely to cause harmful interference in which case the user will be required to correct the interference at his own expense.

#### **Warning**

---

Le présent appareil est conforme aux CNR d'Industrie Canada applicables aux appareils radio exempts de licence. L'exploitation est autorisée aux deux conditions suivantes:

1. l'appareil ne doit pas produire de brouillage, et
  2. l'utilisateur de l'appareil doit accepter tout brouillage radioélectrique subi, même si le brouillage est susceptible d'en compromettre le fonctionnement.
- 

### IK4 General Safety

The following safety instructions must be read carefully to install and use the product properly, and to keep it in perfect working condition, and to reduce the risk of misuse.

- Strictly adhere to the installation instructions contained in this document.
- Make sure that professional and competent personnel carry out the installation.
- Ensure that all site and prevailing safety regulations are fully respected.
- Make sure that this document is permanently available to the operator and maintenance personnel.
- Keep the transmitter out of reach of non-authorized personnel.
- Remove the transmission key when the set is not in use.
- Check each working day the STOP button and other safety measures. When in doubt, press the STOP button.
- Whenever several sets have been installed, make sure the transmitter is the right one. Identify the machine controlled on the label for this purpose on the transmitter or by using the display (in case it has one).
- Service the equipment periodically.
- When carrying out repairs, use spare parts supplied by Danfoss only.

#### **Warning**

---

**Potential damage to the operator or the product.** Do not use this product on machines in potentially explosive atmospheres unless the model is ATEX/RATEX certified to work in such conditions.

---

**Safety instructions**

**IK4 Safety Warnings**

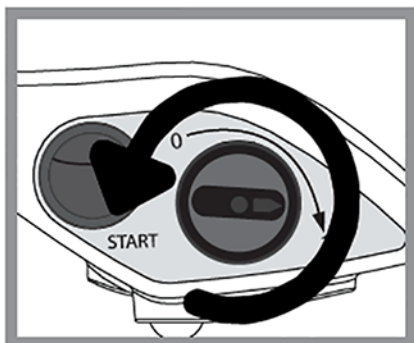
**Potential damage to operator and product.**

**Follow the guidelines below to reduce risk of injury to the operator and the product.**

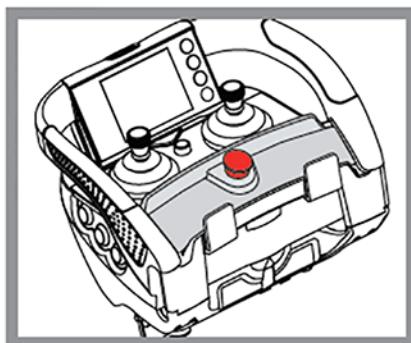
- Use the device with the manufacturer's battery and battery charger (if applicable).
- Only allow qualified personnel to operate the equipment.
- Always set the STOP button in the off position when not in use.
- Always press STOP before plugging in tether cable (if applicable).
- Remove the Tether connection on the transmitter First (if applicable).
- Do not operate product when visibility is limited.
- Make sure product is compatible with the machine.
- Avoid knocking or dropping the product.
- Do not use the product if a failure is detected.

**Changes or modifications not approved by Danfoss can void the user's authority to operate this product.**

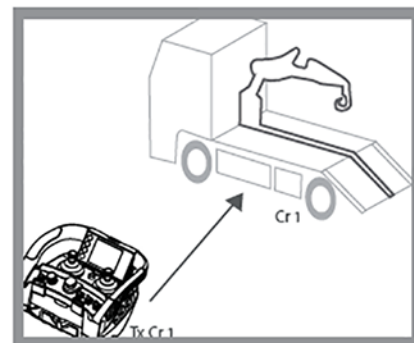
*Quick reference precautions*



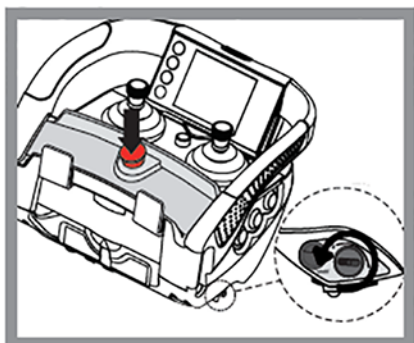
Remove the transmission key only when the set is not in use or to deny the access



When in doubt, press the STOP button



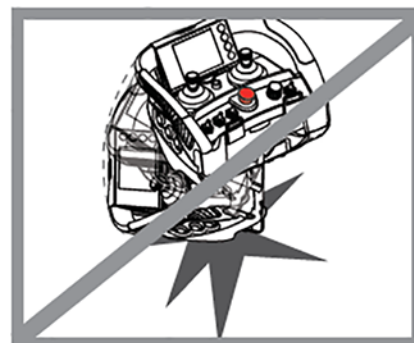
Make sure the transmitter works with the machine to be handled



After use set the contact key and the STOP button



Do not use the set when visibility is limited



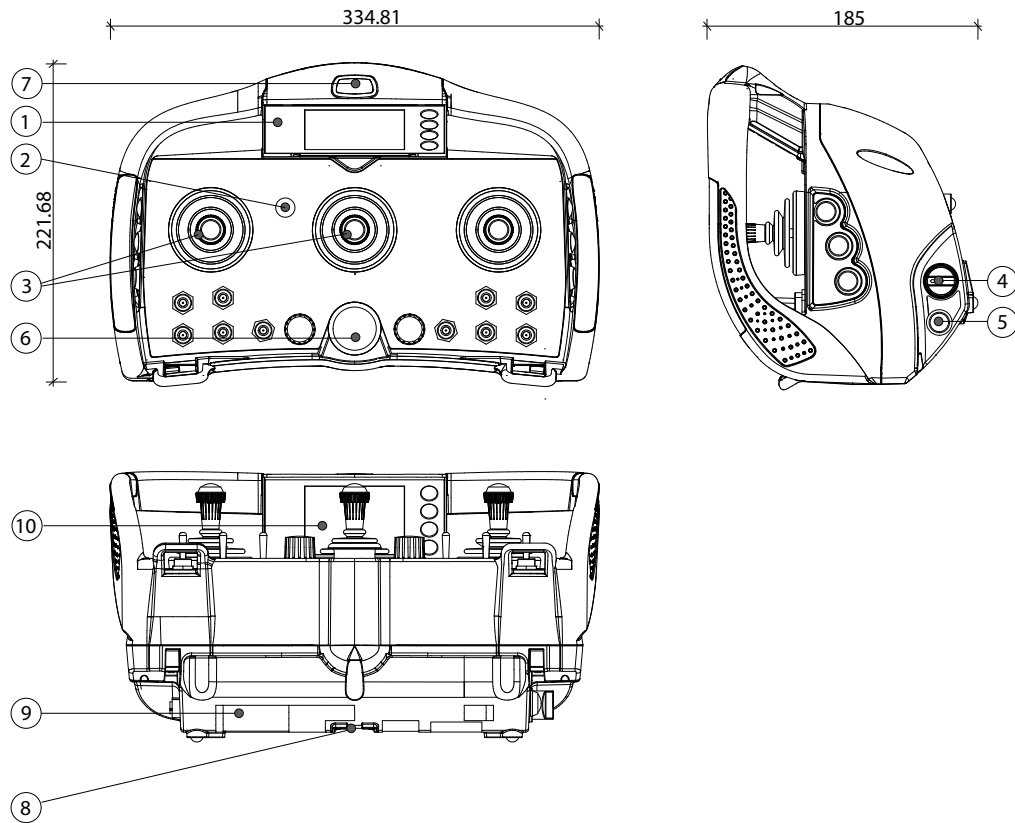
Avoid knocking or dropping the set

Technical description

IK4 dimensions and identification

The illustration below details dimensions and features of the IK4 transmitter.

Dimensions in mm



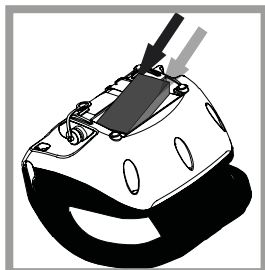
- 1. Label for crane identification
- 2. LED
- 3. Maneuver elements
- 4. Contact key
- 5. Start push button
- 6. STOP button
- 7. Optional: Range limiter
- 8. External and extractable EEPROM module
- 9. Battery
- 10. 3.5 in TFT display

**Technical description**

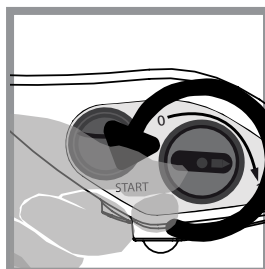
**IK Transmitters Start up (400-900Mhz)**

Use the information below to properly turn the transmitter ON (OPERATION mode).

1. Place a charged battery in the transmitter. The charge must be done following the instructions of the Battery Chargers' Manual.

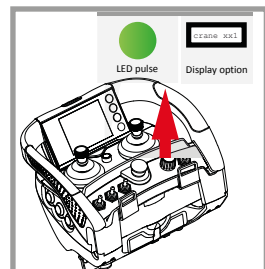


2. Turn the contact key.

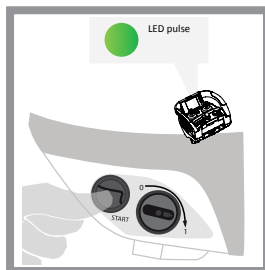


3. Push and pull out the STOP button.

LED will flash orange-green pulse. If the transmitter has LCD, it displays the identification of the machine and battery level (only if it has been pre-programmed).



4. Press the start button. The green LED will now light to indicate the transmitter is transmitting. Once the Tx is connected, press any maneuver button and its corresponding relay will be activated. Check to make sure all other maneuvers work in a coherent way with the expected movements.

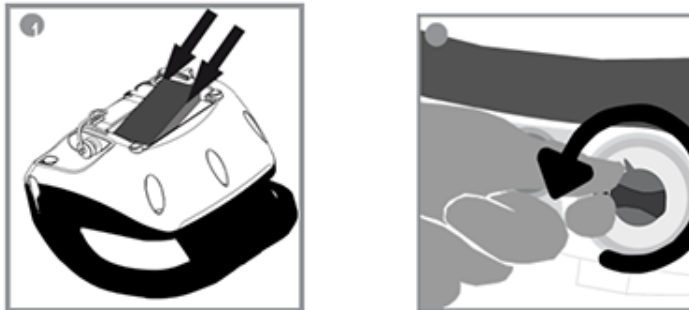


**IK Transmitters Start up (2.4 GHz)**

In order to turn the transmitter ON (OPERATION mode), please follow these steps:

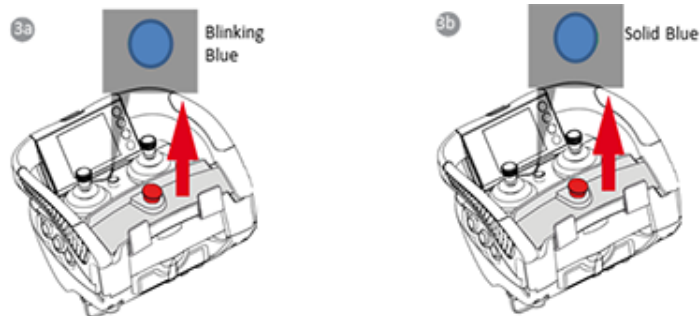
Technical description

Start up the device



1. Place a charged battery in the transmitter.  
The battery must be charged following the instructions of the Battery Charger Manual.
2. Turn the contact key or Multikey to the position "I." It is not necessary to switch the contact key off after use, however, it may be removed in order to deny access to the transmitter.
3. Push and pull out the **STOP** button.

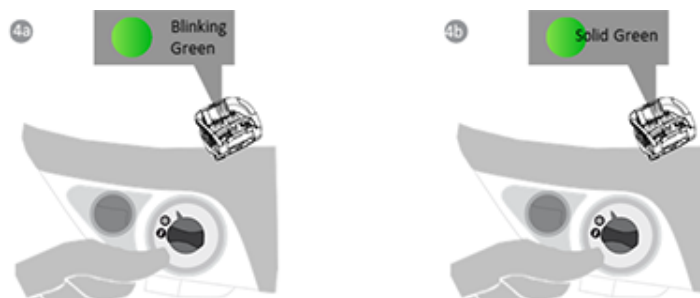
LED status (blue)



LED will flash, blinking blue until it reaches the Stand-by mode (fixed blue). If the transmitter includes a Display, it will display the identification of the machine, as well as the battery level, if it has been pre-programmed.

4. Press the **START** button, and wait for the status LED to turn to fixed green.

LED status (green)



The status LED will start blinking green, meaning the transmitter is trying to connect with the receiver. Once the Tx is linked, LED will turn to fixed green.

5. Press any of the transmitter's maneuver buttons and its corresponding relay will be activated.
6. Check to make sure all the maneuvers work in a coherent way with the expected movements by checking the supplied production sheet, included with the system.



## Technical description

### IK4 Detailed description

Description	Value
Stop Function (400 - 900 MHz)	Cat. 3-PLd
Stop Function (2.4 GHz)	Cat. 3-PLe
Ingress Protection rating	IP65/NEMA4
Anti-condensation system	Goretex Film
Frequency band - ERP	433.050 to 434.040 MHz; ERP<1 mW
	434.040 to 434.790 MHz; ERP<10mW
	869.700 to 870.000 MHz; ERP<5 mW
	902.000 to 928.000 MHz; ERP<1mW
	2405MHz to 2475MHz; ERP 20dBm/100mW
Range (normal conditions)	100m
Main mechanisms (maximum number)	Joystick (4) or Paddle (8)
Auxiliary mechanisms	Push button, toggle and rotary switches
Removable EEPROM	External
Battery model	BT27IK
Battery life	8 hours
Response Time	100ms
Operating temperature range	-20 °C to 70 °C (-4 °F to 158 °F)
Storage Temperature Range (24h)	-25°C to 75°C (-13°F to 167°F)
Storage Temperature Range (long periods)	-25°C to 55°C (-13°F to 131°F)
Relative Humidity	max. 95% without condensation
Weight (with battery)	2300 grams
Dimensions LxWxH mm	334,81x221,68x185,09
Harness	Belt/shoulder strap
<b>Available Options</b>	
Display	3.5-inch color TFT
LED Panel	Yes (up to 12 LEDs)
Cable connector	Yes (M12 Connector)
Range limiter	Yes
Associated receivers	R13, R70, R70 PLUS, MPCAN, MP20

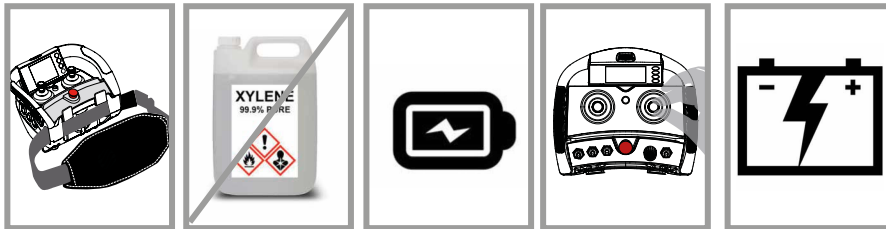
## Maintenance

### IK4 maintenance tips

This product is designed for use in an industrial environment that may shorten the product's lifespan. Use these tips to maximize the lifespan of the product.

- Use the hook/belt provided with the transmitter to prevent the transmitter from falling
- Do not clean the transmitter with solvents or pressurized water; use a damp cloth or soft brush for cleaning
- If the push buttons show signs of deterioration, contact the Authorized Technical Service for repair
- Check if the battery contacts are correct, otherwise replace them.
- Ensure that the product is supplied with AAA alkaline batteries or has a rechargeable battery
- Be sure to recharge or replace battery regularly

### Maintenance tips quick reference



### Troubleshooting (400-900 MHz)

The transmitter has status monitoring LED's which help identify irregularities. The most common signals are contained in the table below:

Color and frequency	Pulse frequency	Description	Action
Green   continuous		Working	Operate
Green   slow pulses		Latency; no action has been taken for some time	Press START to return to operation mode
Red   slow pulses		Low battery signal	Replace or recharge battery
Red   fast pulses		EEPROM module missing or corrupt	Check EEPROM and reprogram if necessary
Red   double pulses		A maneuver is activated at transmitter start up process; may indicate hardware damage if no order is active	Release maneuver or replace transmitter if necessary
Red   continuous		General hardware failure	Replace transmitter

### Troubleshooting 2.4 GHz

The transmitter has status monitoring LED's which help identify irregularities. The most common signals are in the table below:

LED color   Frequency	Pulse Frequency	Description	Action
Blue / fast pulses		Starting the system, establishing communication with radio and EEPROM.	Wait
Blue   continuous		Stand-by. Set up system, waiting user's action.	Press <b>START</b> to enter Operation mode.

## Maintenance

LED color   Frequency	Pulse Frequency	Description	Action
Green / fast pulses		Trying to link with the receiver and waiting its answer.	Wait
Green   continuous		The transmitter works properly. Operation mode is OK.	No action needed.
Green   slow pulses		<b>STANDBY</b> mode. If transmitter is 4 minutes ON and no action has been taken.	Press <b>START</b> to return to Operation mode.
Red   slow pulses		EEPROM Error. EEPROM module is missing or corrupted.	Check EEPROM module or reprogram if necessary.
Red   double pulses		Radio Error. Radio communication error.	Replace transmitter
Red   continuous		Hardware failure or damage.	Replace transmitter
Orange   slow pulses		Battery signal is critical.	Replace batteries with charged ones.
Orange   double pulses		A maneuver is activated.	Release maneuver or replace transmitter if necessary.

## Charger and battery

### Charger and battery



**Disposal note:**

This symbol on the product indicates that it may not be disposed of as household waste. It must be handed over to the applicable take-back scheme for the recycling of electrical equipment.

- Dispose of the product through channels provided for this purpose.
- Comply with all local and currently applicable laws and regulations.

### CB70 and BT27IK specifications

*CB70 battery charger*

Specification	Value
Standard AC power supply	230 Vca ± 10%, 50
Optional AC power supply	115 Vca, 60 Hz
DC power supply	From 10.5 V to 35 V

*BT27IK battery*

Specification	Value
Voltage	4.8 V
Capacity	2700 mAh NiMH
Charging temperature	From 0° C to 45° C
Discharge temperature	From -20° C to 50° C
Autonomy	From 8 to 15 h (configuration dependant)
Charging mode	7h and intelligent
Weight	156.3 g

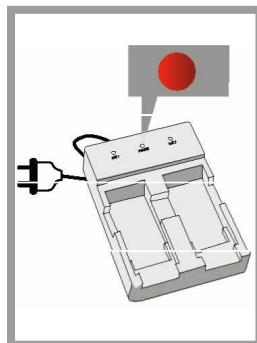
### Setting up the CB70 battery charger

Use the information below to properly set up the CB70 batter charger.

The battery charger has two charging compartments that can simultaneously charge two batteries.

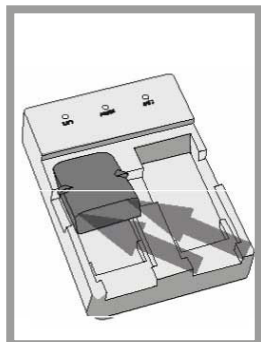
1. Connect the charger to a power source using the cable supplied.

The red LED will switch.



## Charger and battery

- Place the batteries in the compartments of the battery charger.



- Optional: If charging multiple batteries, wait at least 5 seconds before placing the second battery in the other compartment.

---

**Possible damage to battery!**

**Be sure to charge batteries in environments with temperatures over 0° C.**

---

## CB70 status LEDs

Each battery compartment has an LED that indicates the status of the batteries' charge.

<b>Green LED; pulsing</b>	Battery is excessively depleted
<b>Green LED; continuous</b>	Normal charging operation mode
<b>Green LED; off</b>	Battery charging process is complete

---

The battery charger must be placed and used out of the danger area.

---

## Battery Charging Recommendations

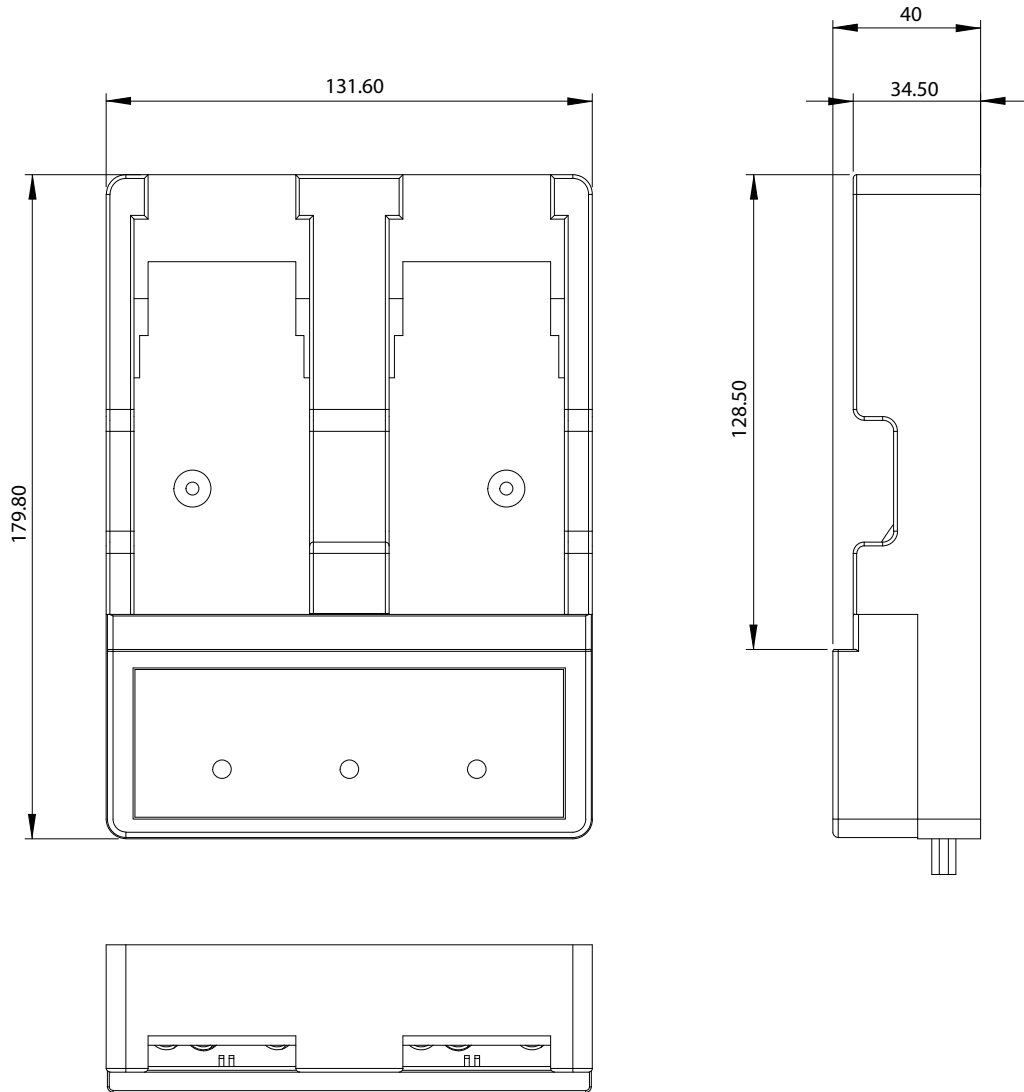
The battery lifespan is estimated to 500 recharging cycles and is largely dependent on the conditions of use. To maximize the lifespan of the batteries and battery charger, follow these recommendations:

- Do not recharge the battery until it is completely flat, as shown with red LED slow pulse on the transmitter
  - Always charge the batteries at temperatures between 0° and 45°C (the batteries will not become fully charged at temperatures exceeding 45°C)
  - Do not leave the battery charger or batteries in a direct sunlight
  - Charge batteries at least once every six months
  - Avoid short circuits between the battery contacts; do not carry charged batteries in toolboxes or next to other metal objects (keys, coins, etc.)
  - Always keep contacts clean
  - Caution! Risk of Explosion if Battery is Replaced by an incorrect type. Non Danfoss Battery use may void warranty
-

Charger and battery

CB70 battery charger dimensions

Dimensions in mm



### Products we offer:

- Cartridge valves
- DCV directional control valves
- Electric converters
- Electric machines
- Electric motors
- Gear motors
- Gear pumps
- Hydraulic integrated circuits (HICs)
- Hydrostatic motors
- Hydrostatic pumps
- Orbital motors
- PLUS+1® controllers
- PLUS+1® displays
- PLUS+1® joysticks and pedals
- PLUS+1® operator interfaces
- PLUS+1® sensors
- PLUS+1® software
- PLUS+1® software services, support and training
- Position controls and sensors
- PVG proportional valves
- Steering components and systems
- Telematics

**Danfoss Power Solutions** is a global manufacturer and supplier of high-quality hydraulic and electric components. We specialize in providing state-of-the-art technology and solutions that excel in the harsh operating conditions of the mobile off-highway market as well as the marine sector. Building on our extensive applications expertise, we work closely with you to ensure exceptional performance for a broad range of applications. We help you and other customers around the world speed up system development, reduce costs and bring vehicles and vessels to market faster.

Danfoss Power Solutions – your strongest partner in mobile hydraulics and mobile electrification.

### Go to [www.danfoss.com](http://www.danfoss.com) for further product information.

We offer you expert worldwide support for ensuring the best possible solutions for outstanding performance. And with an extensive network of Global Service Partners, we also provide you with comprehensive global service for all of our components.

Local address:

### Hydro-Gear

[www.hydro-gear.com](http://www.hydro-gear.com)

### Daikin-Sauer-Danfoss

[www.daikin-sauer-danfoss.com](http://www.daikin-sauer-danfoss.com)

**Danfoss  
Power Solutions (US) Company**  
2800 East 13th Street  
Ames, IA 50010, USA  
Phone: +1 515 239 6000

**Danfoss  
Power Solutions GmbH & Co. OHG**  
Krokamp 35  
D-24539 Neumünster, Germany  
Phone: +49 4321 871 0

**Danfoss  
Power Solutions ApS**  
Nordborgvej 81  
DK-6430 Nordborg, Denmark  
Phone: +45 7488 2222

**Danfoss  
Power Solutions Trading  
(Shanghai) Co., Ltd.**  
Building #22, No. 1000 Jin Hai Rd  
Jin Qiao, Pudong New District  
Shanghai, China 201206  
Phone: +86 21 2080 6201

Danfoss can accept no responsibility for possible errors in catalogues, brochures and other printed material. Danfoss reserves the right to alter its products without notice. This also applies to products already on order provided that such alterations can be made without subsequent changes being necessary in specifications already agreed. All trademarks in this material are property of the respective companies. Danfoss and the Danfoss logotype are trademarks of Danfoss A/S. All rights reserved.