

## Data Sheet

Pressure transmitters  
Type DST P40M

Harsh environment marine application



The P40M pressure transmitter has been designed specific for pressure monitoring of marine applications such as Ballast water treatment systems, Exhaust gas scrubbers, Desalination and Sea water cooling systems where high corrosion resistance and longevity are essential for the continued operation of auxiliary & propulsion systems onboard the vessel.

The enclosure of the pressure transmitter is machined out from a single piece of Titanium to eliminate any structural weaknesses. Titanium is exceptionally resistant to a broad range of acids and alkalis, as well as Sodium Chloride and polluted waters. Titanium's corrosion resistance together with its low density, high strength and erosion resistance, make this pressure transmitter ideal for numerous chemical processing and marine uses.

The pressure sensing element is made from ceramic  $Al_2O_3$  96% which has excellent chemical immunity and is suitable for nearly all aggressive media. The pressure transmitter works following the piezo resistive principle and the Wheatstone bridge is screen printed directly on one side of the ceramic diaphragm by means of Thick Film technology

## Features

- Designed for use in corrosive industrial environments such as desalination systems, medical industry, chemical processing, chlorate containing liquids, hydro-carbon processing, etc.
- Enclosure Titanium grade 2
- Temperature compensated
- Reverse polarity protected
- Gauge (relative)
- Wetted parts: Titanium & Ceramic
- Ceramic Al<sub>2</sub>O<sub>3</sub> 96%
- High linearity and low hysteresis value
- RoHS compliance

## Product specification

### Technical data

**Table 1: Technical specifications**

Specifications			Values
Transmitter type			DST P40M
Accuracy (incl. non-linearity, hysteresis and repeatability)			< ± 1% FS (typ.) @ ambient temperature
Compensated temperature range			0 – 80 °C
Total error band within compensated temperature range			± 1.5% FS (typ.)
Output type			4 – 20 mA
Pressure reference			Gauge
Supply voltage range			9 – 32 V DC
Rise time (10 – 90%)			< 5 ms
Overload pressure			2 x FS
Burst pressure			2.5 x FS
Durability			P:10-90%FS > 10 mio cycles
Media temperature range			-15 – 85 °C
Ambient temperature range			Depending on electrical connection see <a href="#">Electrical connections</a>
Storage temperature range			-40 – 105 °C
Load [R <sub>L</sub> ]			RL ≤ (UB-8V)/0,02A
EMC – Emission			EN 61000-6-3
EMC – Immunity			EN 61000-6-2
Vibration stability	Sinusoidal	15.9 mm-pp, 5 Hz – 25 Hz	IEC 60068-2-6
		20 g, 25 Hz – 2 kHz	
Shock resistance	Shock	100 g / 1 ms	IEC 60068-2-27

**Table 2: Pressure range**

0 – 4 bar	Gauge
0 – 6 bar	Gauge
0 – 10 bar	Gauge
0 – 16 bar	Gauge
0 – 25 bar	Gauge
0 – 100 bar	Sealed gauge

### Electrical connections

**Table 3: Electrical connections**

Type code	A0: Male A1: Pg 9 A6: Pg 11 A9: Pg 13.5
	<p>EN 175301-803-A, Pg 9</p>
Ambient temperature	-25 – 85 °C
Enclosure (IP protection fulfilled together with mating connector)	IP65
Electrical connection, 4 – 20 mA output (2 wire)	Pin 1: + supply Pin 2: ÷ supply Pin 3: not used Pin 4: Ground connection to sensor house

## Dimensions / Combinations

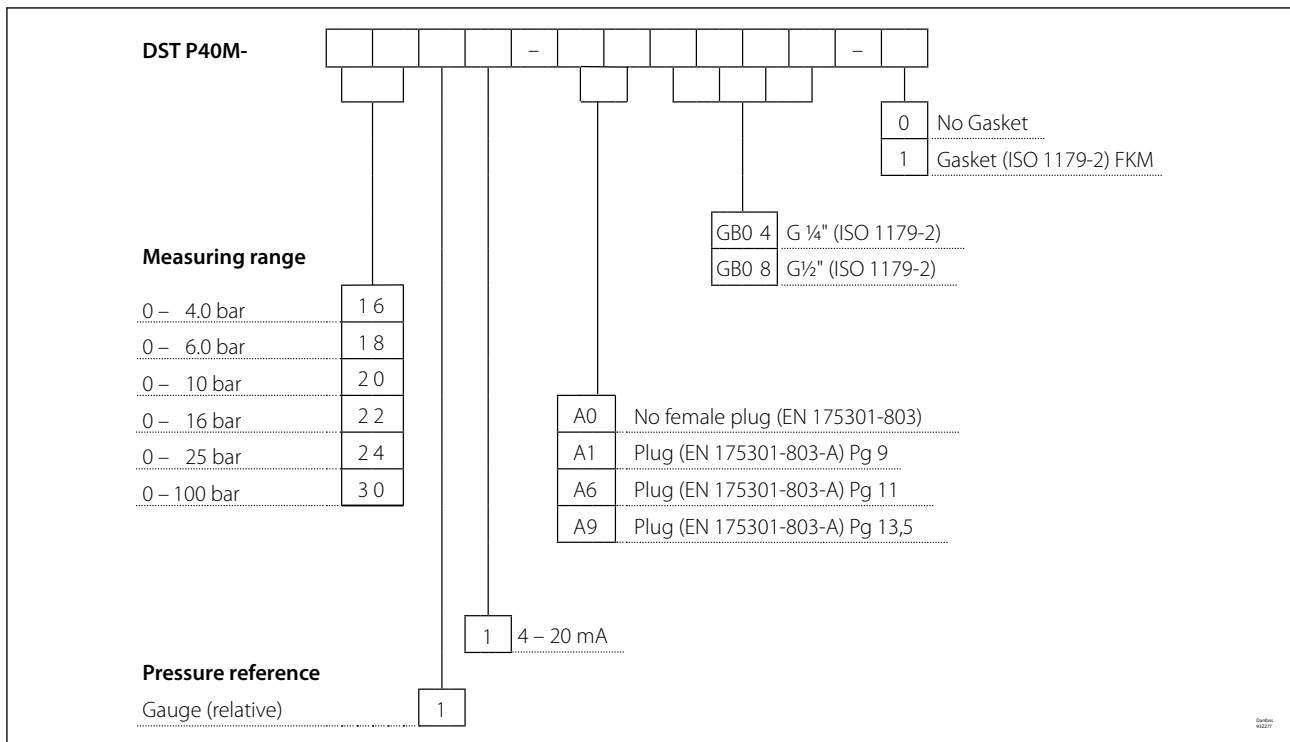
Table 4: Dimensions and combinations of connector and connection types

Type code	A1	A6	A9
Connector	<p>EN 175301-803-A, Pg 9</p>	<p>EN 175301-803-A, Pg 11</p>	<p>EN 175301-803-A, Pg 13.5</p>
Connection Types			
Type	G 1/4"; ISO 1179-2	G 1/2"; ISO 1179-2	
Gasket	FKM	FKM	
Type code	GB04	GB08	
Recommended torque <sup>(1)</sup>	30 – 35 Nm	30 – 35 Nm	

<sup>(1)</sup> Depends on different parameters such as gasket material, mating material, thread lubrication and pressure level

## Ordering

### Ordering standard



Non-standard build-up combinations may be selected. However, minimum order quantities may apply.

Please contact your local Danfoss office for further information or request on other versions.

## Certificates, declarations, and approvals

The list contains all certificates, declarations, and approvals for this product type. Individual code number may have some or all of these approvals, and certain local approvals may not appear on the list.

Some approvals may change over time. You can check the most current status at [danfoss.com](http://danfoss.com) or contact your local Danfoss representative if you have any questions.

File name	Document type	Document topic	Approvals Authority
MRA000003B	Approval Certificate	Marine classification (EU RO) MUTUAL RECOGNITION CERTIFICATE	DNV
DLN34014-AE005	Approval Certificate	Marine classification	Korean Register
CPH04967-AE014	Approval Certificate	Marine classification	Korean Register
21A003	Approval Certificate	Marine classification	NKK
-	Approval Certificate	Marine classification	CCS (Pending)

## Online support

Danfoss offers a wide range of support along with our products, including digital product information, software, mobile apps, and expert guidance. See the possibilities below.

### The Danfoss Product Store



The Danfoss Product Store is your one-stop shop for everything product related—no matter where you are in the world or what area of the cooling industry you work in. Get quick access to essential information like product specs, code numbers, technical documentation, certifications, accessories, and more.

Start browsing at [store.danfoss.com](https://store.danfoss.com).

### Find technical documentation



Find the technical documentation you need to get your project up and running. Get direct access to our official collection of data sheets, certificates and declarations, manuals and guides, 3D models and drawings, case stories, brochures, and much more.

Start searching now at [www.danfoss.com/en/service-and-support/documentation](https://www.danfoss.com/en/service-and-support/documentation).

### Danfoss Learning



Danfoss Learning is a free online learning platform. It features courses and materials specifically designed to help engineers, installers, service technicians, and wholesalers better understand the products, applications, industry topics, and trends that will help you do your job better.

Create your Danfoss Learning account for free at [www.danfoss.com/en/service-and-support/learning](https://www.danfoss.com/en/service-and-support/learning).

### Get local information and support



Local Danfoss websites are the main sources for help and information about our company and products. Find product availability, get the latest regional news, or connect with a nearby expert—all in your own language.

Find your local Danfoss website here: [www.danfoss.com/en/choose-region](https://www.danfoss.com/en/choose-region).

### Spare Parts



Get access to the Danfoss spare parts and service kit catalog right from your smartphone. The app contains a wide range of components for air conditioning and refrigeration applications, such as valves, strainers, pressure switches, and sensors.

Download the Spare Parts app for free at [www.danfoss.com/en/service-and-support/downloads](https://www.danfoss.com/en/service-and-support/downloads).

Any information, including, but not limited to information on selection of product, its application or use, product design, weight, dimensions, capacity or any other technical data in product manuals, catalogues descriptions, advertisements, etc. and whether made available in writing, orally, electronically, online or via download, shall be considered informative, and is only binding if and to the extent, explicit reference is made in a quotation or order confirmation. Danfoss cannot accept any responsibility for possible errors in catalogues, brochures, videos and other material. Danfoss reserves the right to alter its products without notice. This also applies to products ordered but not delivered provided that such alterations can be made without changes to form, fit or function of the product. All trademarks in this material are property of Danfoss A/S or Danfoss group companies. Danfoss and the Danfoss logo are trademarks of Danfoss A/S. All rights reserved.