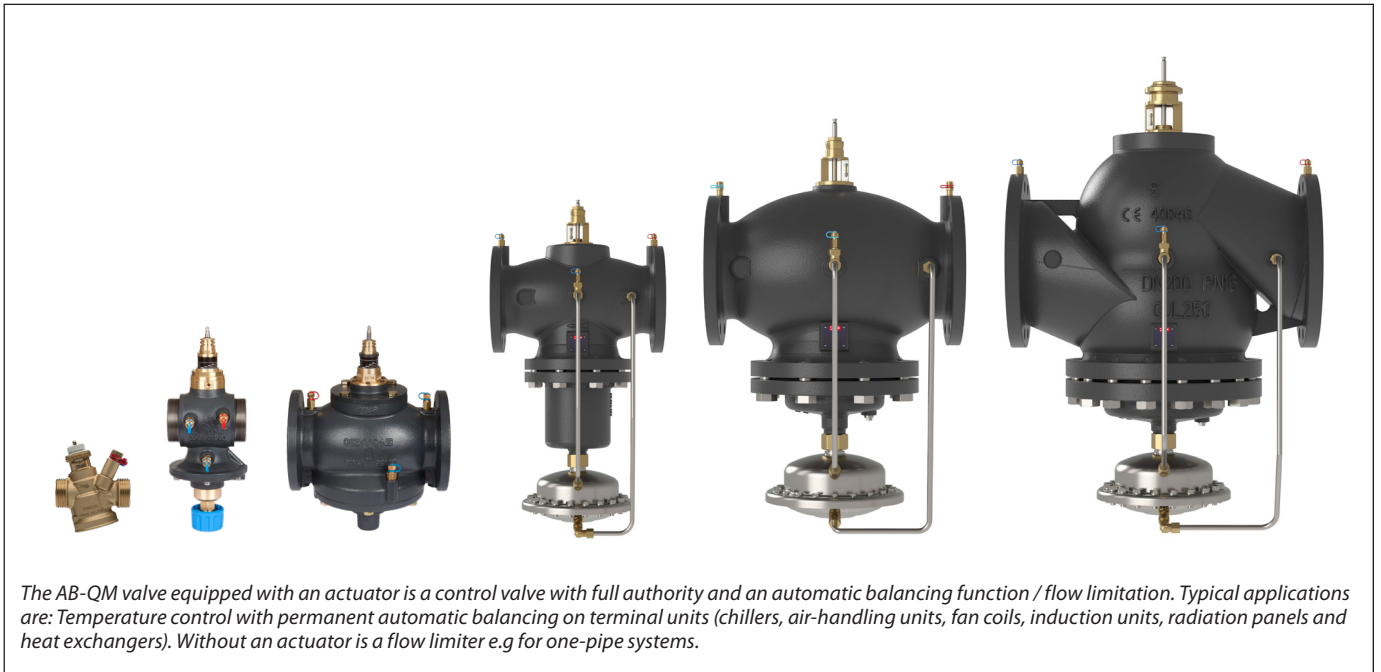


## Data sheet

# AB-QM 4.0 / AB-QM Pressure Independent Control Valves (PICV) DN 15-250

**Description**

The Danfoss AB-QM is a Pressure Independent Control Valve (PICV) that combines high accuracy and durability with market leading user-friendliness. The design of the AB-QM is fully geared towards making your project run on time and on budget while delivering the most efficient HVAC system.

Pressure independent valves are control valves with an automatic balancing function. An in-built pressure controller keeps a constant differential pressure over the control valve, ensuring full authority and automatic flow limitation. By combining two functions in one, control and automatic hydronic balance, Danfoss PICVs provide a cost-efficient solution for the challenges faced by forward-looking designers of HVAC systems.

The Danfoss AB-QM delivers the lowest total cost of ownership because:

- Precise flow limitation ensures always the right flow at the right time, ensuring minimized pumping energy
- Full range from DN15 to DN250 for flows up to 407 m<sup>3</sup>/h
- Available with internal and external thread for universal applicability
- Danfoss' durability test ensures the AB-QM has best-in-class resistance to scaling and clogging
- Easy troubleshooting because of the always visible setting and the ability to measure flow through test plugs
- Minimum hysteresis for stable and precise temperature control
- Future-ready with a range of smart actuators, ready for data driven and optimized HVAC 4.0

Ordering

AB-QM 4.0 threaded version (with test plugs and without test plugs) - External thread

| Type    |       |                         |                         | With test plugs | Without test plugs |
|---------|-------|-------------------------|-------------------------|-----------------|--------------------|
| Picture | DN    | Q <sub>nom.</sub> (l/h) | Ext. thread (ISO 228/1) | Code No.        | Code No.           |
|         | 15 LF | 200                     | G 3/4A                  | 003Z8200        | 003Z8220           |
|         | 15    | 650                     |                         | 003Z8201        | 003Z8221           |
|         | 15 HF | 1,200                   |                         | 003Z8202        | 003Z8222           |
|         | 20    | 1,100                   | G 1A                    | 003Z8203        | 003Z8223           |
|         | 20 HF | 1,900                   |                         | 003Z8204        | 003Z8224           |

AB-QM threaded version (with test plugs and without test plugs) - External thread

| Type    |       |                         |                         | With test plugs | Without test plugs |
|---------|-------|-------------------------|-------------------------|-----------------|--------------------|
| Picture | DN    | Q <sub>nom.</sub> (l/h) | Ext. thread (ISO 228/1) | Code No.        | Code No.           |
|         | 25    | 1,700                   | G 1 1/4A                | 003Z1214        | 003Z1204           |
|         | 25HF  | 2,700                   |                         | -               | 003Z1224           |
|         | 32    | 3,200                   | G 1 1/2A                | 003Z1215        | 003Z1205           |
|         | 32 HF | 4,000                   |                         | -               | 003Z1225           |
|         | 40    | 7,500                   | G 2 A                   | 003Z0770        | *                  |
|         | 50    | 12,500                  | G 2 1/2 A               | 003Z0771        |                    |

\* AB-QM DN 15-32 w/o TP can not be upgraded to version with TP

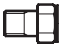
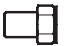

AB-QM 4.0 threaded version (with test plugs and without test plugs) - Internal thread

| Type    |       |                         |                       | With test plugs | Without test plugs |
|---------|-------|-------------------------|-----------------------|-----------------|--------------------|
| Picture | DN    | Q <sub>nom.</sub> (l/h) | Int. thread (ISO 7/1) | Code No.        | Code No.           |
|         | 15 LF | 200                     | Rp 1/2                | 003Z8300        | 003Z8320           |
|         | 15    | 650                     |                       | 003Z8301        | 003Z8321           |
|         | 15 HF | 1,200                   |                       | 003Z8302        | 003Z8322           |
|         | 20    | 1,100                   | Rp 3/4                | 003Z8303        | 003Z8323           |
|         | 20 HF | 1,900                   |                       | 003Z8304        | 003Z8324           |

AB-QM flanged version

| Picture | DN     | Q <sub>nom.</sub> (l/h) | Flange connection (EN 1092-1) | Code No. |
|---------|--------|-------------------------|-------------------------------|----------|
|         | 50     | 12,500                  | PN 16                         | 003Z0772 |
|         | 65     | 20,000                  |                               | 003Z0773 |
|         | 65 HF  | 25,000                  |                               | 003Z0793 |
|         | 80     | 28,000                  |                               | 003Z0774 |
|         | 80 HF  | 40,000                  |                               | 003Z0794 |
|         | 100    | 38,000                  |                               | 003Z0775 |
|         | 100 HF | 59,000                  |                               | 003Z0795 |
|         | 125    | 90,000                  |                               | 003Z0705 |
|         | 125 HF | 110,000                 |                               | 003Z0715 |
|         | 150    | 145,000                 |                               | 003Z0706 |
|         | 150 HF | 190,000                 |                               | 003Z0716 |
|         | 200    | 200,000                 |                               | 003Z0707 |
|         | 200 HF | 270,000                 |                               | 003Z0717 |
|         | 250    | 300,000                 |                               | 003Z0708 |
|         | 250 HF | 370,000                 | 003Z0718                      |          |

**Ordering (continuous)**  
**Accessories & spare parts**

| Type  | Comments |            | Code No. |
|---|----------|------------|----------|
|   | To pipe  | To valve   |          |
| Union connection<br>(CW617N)<br>(1 pcs.)<br>         | R 1/2    | DN 15      | 003Z0232 |
|   | R 3/4    | DN 20      | 003Z0233 |
|   | R 1      | DN 25      | 003Z0234 |
|   | R 1 1/4  | DN 32      | 003Z0235 |
|   | R 1 1/2  | DN 40      | 003Z0279 |
|   | R 2      | DN 50      | 003Z0278 |
| Tailpiece welding<br>(W. Nr. 1.0308)<br>(1 pcs.)<br> | Weld.    | DN 15      | 003Z0226 |
|   |          | DN 20      | 003Z0227 |
|   |          | DN 25      | 003Z0228 |
|   |          | DN 32      | 003Z0229 |
|   |          | DN 40      | 003Z0270 |
|   |          | DN 50      | 003Z0276 |
|    | Weld.    | DN 15      | 003Z1271 |
|   |          | DN 20      | 003Z1272 |
|   |          | DN 25      | 003Z1273 |
|   |          | DN 32      | 003Z1274 |
|   |          | DN 40      | 003Z1275 |
|   |          | DN 50      | 003Z1276 |
| Tailpieces for soldering<br>(CW614N)<br>(2 nuts, 2 gaskets, 2 soldering plugs)  | 15x1 mm  | DN 15      | 065Z7017 |
| Handle AB-QM<br>(necessary accessory if installing valve without actuator)  |          | DN 40-100  | 003Z0695 |
|   |          | DN 125-150 | 003Z0696 |
|   |          | DN 200-250 | 003Z0697 |
| Shut off accessories  |          | DN15-32    | 003Z0230 |
| Stem heater for AB-QM DN 40-100 / AME 435 QM  |          |            | 065Z0315 |
| Stem heater for AB-QM DN 125, 150 / AME 55 QM / AME 655   |          |            | 065Z7022 |
| Elbow test plug extension (1 pcs.)  |          |            | 003Z3944 |
| Straight test plug extension (1 pcs.)   |          |            | 003Z3945 |
| Straight plug extension set (1 pcs.)  |          |            | 003Z3946 |
| AB-QM 4.0 DN15 EPP insulation   |          |            | 003Z7810 |
| AB-QM 4.0 DN20 EPP insulation   |          |            | 003Z7811 |

Technical data

| Nominal diameter                        |                                 | DN  | AB-QM 4.0 (threaded version) |      |       |       |                                     | AB-QM (threaded version) |         |         |                      |                             |         |
|---|---------------------------------|---|------------------------------|------|-------|-------|-------------------------------------|--------------------------|---------|---------|----------------------|-----------------------------|---------|
|   |                                 |   | 15 LF                        | 15   | 15 HF | 20    | 20 HF                               | 25                       | 25 HF   | 32      | 32 HF                | 40                          | 50      |
| Flow range                              | $Q_{nom}$ (100 %) <sup>1)</sup> | l/h   | 200                          | 650  | 1.200 | 1.100 | 1.900                               | 1.700                    | 2.700   | 3.200   | 4.000                | 7.500                       | 12.500  |
|   | $Q_{high}$ <sup>3)</sup>        |   | 200                          | 650  | 1.200 | 1.100 | 1.900                               | 1.870                    | 2.970   | 3.520   | 4.400                | 7.500                       | 12.500  |
| Setting range <sup>1), 2)</sup>         |                                 | %   | 10-100                       |      |       |       |                                     | 20-110                   |         |         |                      | 40-100                      |         |
| Diff. pressure <sup>3), 4)</sup>        | $\Delta p_{min}$                | kPa   | 16                           | 16   | 25    | 16    | 25                                  | 20 (25)                  | 35 (40) | 25 (30) | 35 (40)              | 30                          |         |
|   | $\Delta p_{max}$                |   | 600                          |      |       |       |                                     |                          |         |         |                      |                             |         |
| Pressure stage                          |                                 | PN  | 25                           |      |       |       |                                     | 16                       |         |         |                      |                             |         |
| Control range                           |                                 | 1:1000  |                              |      |       |       |                                     |                          |         |         |                      |                             |         |
| Control valve's characteristic          |                                 | Linear (could be converted by actuator to equal percentage)   |                              |      |       |       |                                     |                          |         |         |                      |                             |         |
| Leakage rate with recommended actuators |                                 | IEC 60534-4:2007 class IV   |                              |      |       |       | IEC 60534-4:2007 class III          |                          |         |         |                      |                             |         |
| For shut off function                   |                                 | Acc. to ISO 5208 class A - no visible leakage   |                              |      |       |       |                                     |                          |         |         |                      |                             |         |
| Flow medium                             |                                 | Water and water mixture for closed heating and cooling systems according to plant type I for DIN WN 14868. When used in Plant type II for DIN EN 14868 appropriate protective measures are taken. The requirements of VDI 2035, part 1+2 are observed |                              |      |       |       |                                     |                          |         |         |                      |                             |         |
| Medium temperature                      |                                 | °C  | -10 ... +95                  |      |       |       |                                     | (-10*) + 2 ... 120       |         |         |                      |                             |         |
| Storage and transport temp.             |                                 |   | -40 ... +70                  |      |       |       |                                     |                          |         |         |                      |                             |         |
| Stroke                                  |                                 | mm  | 4                            |      |       |       |                                     | 4.5                      |         |         |                      | 10                          |         |
| Connection                              | ext. thread (ISO 228/1)         | G ¾ A   |                              |      | G 1 A |       |                                     | G 1¼ A                   |         | G 1½ A  |                      | G 2 A                       | G 2 ½ A |
|   | int. thread (ISO 7/1)           | Rp ½  | Rp ½                         | Rp ½ | Rp ¾  | Rp ¾  | -                                   |                          |         |         |                      |                             |         |
|   | actuator                        | M30 x 1.5   |                              |      |       |       |                                     |                          |         |         |                      | Danfoss standard            |         |
| <b>Materials and medium</b>             |                                 |   |                              |      |       |       |                                     |                          |         |         |                      |                             |         |
| Materials in the medium                 | Valve bodies                    | DZR Brass   |                              |      |       |       |                                     |                          |         |         |                      | Grey iron EN-GJL-250 (GG25) |         |
|   | Membranes and O-rings           | EPDM  |                              |      |       |       |                                     |                          |         |         |                      |                             |         |
|   | Shutter guide                   | PPSU  |                              |      |       |       | N/A                                 |                          |         |         |                      |                             |         |
|   | Shutter                         | DZR Brass   |                              |      |       |       | -                                   |                          |         |         |                      |                             |         |
|   | Springs                         | W.Nr.1.4310   |                              |      |       |       | W.Nr.1.4310, W.Nr. 1.4568           |                          |         |         |                      |                             |         |
|   | Spring support                  | PPSU  |                              |      |       |       | -                                   |                          |         |         |                      |                             |         |
|   | Cone (Pc)                       | -   |                              |      |       |       | W.Nr. 1.4305                        |                          |         |         | CW 614N, W.Nr.1.4305 |                             |         |
|   | Cone (Cv)                       | PPSU  |                              |      |       |       | CW 614N                             |                          |         |         |                      |                             |         |
|   | Seat (Pc)                       | -   |                              |      |       |       | EPDM                                |                          |         |         | W.Nr. 1.4305         |                             |         |
|   | Seat (Cv)                       | DZR Brass   |                              |      |       |       | W.Nr. 1.4305                        |                          |         |         |                      |                             |         |
| Materials out of medium                 | Plastic parts                   | ABS   |                              |      |       |       | PA                                  |                          |         |         | POM                  |                             |         |
|   | Insert parts and outer screws   | -   |                              |      |       |       | CW 614N, W.Nr. 1.4310, W.Nr. 1.4401 |                          |         |         |                      |                             |         |

<sup>1)</sup> Factory setting of the valve is done at nominal setting range.

<sup>2)</sup> Regardless of the setting, the valve can modulate below 1 % of set flow.

<sup>3)</sup> When set above 100 %, minimum starting pressure needed is higher, see figures in the ().

<sup>4)</sup> At min differential pressure valve reaches at least 90% of nominal flow. Declaration of performance is available upon request.

\* If the medium temperature when using AB-QM DN 15-32 is below 2 °C, than ice forming on the spindle must be prevented, there fore valve and actuator should be insulated. For AB-QM DN40-100 stem heaters must be used: Code 065B2171, 065Z0315 or 065Z7022.

According suitability and usage especially in not oxygen tight systems please mind the instructions given by the coolant producer.

Pc - pressure controller part  
Cv - Control valve part

Technical data (continuous)

AB-QM (flanged version)

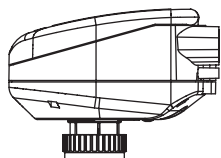
| Nominal diameter                        |  | DN   | 50           | 65     | 65 HF  | 80     | 80 HF  | 100    | 100 HF |
|---|--|--|--------------|--------|--------|--------|--------|--------|--------|
| Flow range                              | Q <sub>nom</sub> (100 %) <sup>1)</sup> | l/h  | 12,500       | 20,000 | 25,000 | 28,000 | 40,000 | 38,000 | 59,000 |
|   | Q <sub>high</sub>                      |  | 12,500       | 20,000 | 25,000 | 28,000 | 40,000 | 38,000 | 59,000 |
| Setting range <sup>1), 2)</sup>         |  | %  | 40-100       |        |        |        |        |        |        |
| Diff. pressure <sup>3), 5)</sup>        | Δp <sub>min</sub>                      | kPa  | 30           | 60     | 30     | 60     | 30     | 60     |        |
|   | Δp <sub>max</sub>                      |  | 600          |        |        |        |        |        |        |
| Pressure stage                          |  | PN   | 16           |        |        |        |        |        |        |
| Control range                           |  | Acc. to standard IEC 534 control range is high as Cv characteristic is linear. (1:1000)  |              |        |        |        |        |        |        |
| Control valve's characteristic          |  | Linear (could be converted by actuator to equal percentage)  |              |        |        |        |        |        |        |
| Leakage rate with recommended actuators |  | max. 0.05 % of Q <sub>nom</sub>  |              |        |        |        |        |        |        |
| For shut off function                   |  | Acc. to ISO 5208 class A - no visible leakage  |              |        |        |        |        |        |        |
| Flow medium                             |  | Water and water mixture for closed heating and cooling systems according to plant type I for DIN EN 14868. When used in plant Type II for DIN EN 14868 appropriate protective measures are taken. The requirements of VDI 2035, part 1 + 2 are observed. |              |        |        |        |        |        |        |
| Medium temperature                      |  | °C   | -10 ... +120 |        |        |        |        |        |        |
| Storage and transport temp.             |  |  | -40 ... 70   |        |        |        |        |        |        |
| Stroke                                  |  | mm   | 10           | 15     |        |        |        |        |        |
| Connection                              | flange                                 | PN 16  |              |        |        |        |        |        |        |
|   | actuator                               | Danfoss standard   |              |        |        |        |        |        |        |
| <b>Materials in the water</b>           |  |  |              |        |        |        |        |        |        |
| Valve bodies                            |  | Grey iron EN-GJL-250 (GG25)  |              |        |        |        |        |        |        |
| Membranes/ Bellow                       |  | EPDM   |              |        |        |        |        |        |        |
| O-rings                                 |  | EPDM   |              |        |        |        |        |        |        |
| Springs                                 |  | W.Nr. 1.4568, W.Nr. 1.4310   |              |        |        |        |        |        |        |
| Cone (Pc)                               |  | CuZn40Pb3 - CW 614N, W.Nr. 1.4305  |              |        |        |        |        |        |        |
| Seat (Pc)                               |  | W.Nr. 1.4305   |              |        |        |        |        |        |        |
| Cone (Cv)                               |  | CuZn40Pb3 - CW 614N  |              |        |        |        |        |        |        |
| Seat (Cv)                               |  | W.Nr. 1.4305   |              |        |        |        |        |        |        |
| Screw                                   |  | Stainless Steel (A2)   |              |        |        |        |        |        |        |
| Flat gasket                             |  | NBR  |              |        |        |        |        |        |        |

| Nominal diameter                        |  | DN   | 125          | 125 HF  | 150     | 150 HF  | 200     | 200 HF  | 250     | 250 HF  |
|---|--|--|--------------|---------|---------|---------|---------|---------|---------|---------|
| Flow range                              | Q <sub>nom</sub> (100 %) <sup>1)</sup> | l/h  | 90,000       | 110,000 | 145,000 | 190,000 | 200,000 | 270,000 | 300,000 | 370,000 |
|   | Q <sub>high</sub> <sup>3)</sup>        |  | 100,000      | 120,000 | 160,000 | 209,000 | 220,000 | 300,000 | 330,000 | 407,000 |
| Setting range <sup>2)</sup>             |  | %  | 40-110       |         |         |         |         |         |         |         |
| Diff. pressure <sup>3), 4), 5)</sup>    | Δp <sub>min</sub>                      | kPa  | 40 (60)      | 60 (80) | 40 (60) | 60 (80) | 45 (65) | 60 (80) | 45 (65) | 60 (80) |
|   | Δp <sub>max</sub>                      |  | 600          | 600     | 600     | 600     | 600     | 600     | 600     | 600     |
| Pressure stage                          |  | PN   | 16           |         |         |         |         |         |         |         |
| Control range                           |  | 1:1000   |              |         |         |         |         |         |         |         |
| Control valve's characteristic          |  | Linear (could be converted by actuator to equal percentage)  |              |         |         |         |         |         |         |         |
| Leakage rate with recommended actuators |  | max.0.01 % of Q <sub>nom</sub>   |              |         |         |         |         |         |         |         |
| Flow medium                             |  | Water and water mixture for closed heating and cooling systems according to plant type I for DIN EN 14868. When used in plant Type II for DIN EN 14868 appropriate protective measures are taken. The requirements of VDI 2035, part 1 + 2 are observed. |              |         |         |         |         |         |         |         |
| Medium temperature                      |  | °C   | -10 ... +120 |         |         |         |         |         |         |         |
| Storage and transport temp.             |  |  | -40 ... 70   |         |         |         |         |         |         |         |
| Stroke                                  |  | mm   | 30           |         |         |         |         |         |         |         |
| Connection                              | flange                                 | PN 16  |              |         |         |         |         |         |         |         |
|   | actuator                               | Danfoss standard   |              |         |         |         |         |         |         |         |
| <b>Materials in the water</b>           |  |  |              |         |         |         |         |         |         |         |
| Valve bodies                            |  | Grey iron EN-GJL-250 (GG 25)   |              |         |         |         |         |         |         |         |
| Membranes/ Bellow                       |  | W.Nr.1.4571  | EPDM         |         |         |         |         |         |         |         |
| O-rings                                 |  | EPDM   |              |         |         |         |         |         |         |         |
| Springs                                 |  | W.Nr.1.4401  | W.Nr.1.4310  |         |         |         |         |         |         |         |
| Cone (Pc)                               |  | W.Nr.1.4404NC  | W.Nr.1.4021  |         |         |         |         |         |         |         |
| Seat (Pc)                               |  | W.Nr.1.4027  |              |         |         |         |         |         |         |         |
| Cone (Cv)                               |  | W.Nr.1.4404NC  | W.Nr.1.4021  |         |         |         |         |         |         |         |
| Seat (Cv)                               |  | W.Nr.1.4027  |              |         |         |         |         |         |         |         |
| Screw                                   |  | W.Nr.1.1181  |              |         |         |         |         |         |         |         |
| Flat gasket                             |  | Graphite gasket  | Non asbestos |         |         |         |         |         |         |         |

- <sup>1)</sup> Factory setting of the valve is done at nominal setting range.
- <sup>2)</sup> Regardless of the setting, the valve can modulate below 1 % of set flow.
- <sup>3)</sup> When set above 100 %, minimum starting pressure needed is higher, see figures in the ().
- <sup>4)</sup> In case AB-QM is used above 400 kPa differential pressure contact Danfoss design center to assure proper design.
- <sup>5)</sup> At min differential pressure valve reaches at least 90% of nominal flow. Declaration of performance is available upon request.

Pc - pressure controller part  
Cv - Control valve part

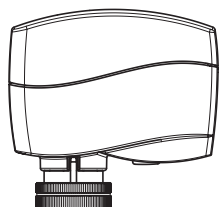
**Actuators overview**  
**AB-QM DN 15-32**



**NovoCon® S**

NovoCon® S is a high accuracy multi-functional field bus actuator, specifically designed for use in combination with the Pressure Independent Balancing Control Valve type AB-QM in sizes from DN 15 LF-32 HF. The actuator with AB-QM is used to control water supply to fan coil units, chilled beams, induction units, small re-heaters, re-coolers, AHU's and other terminal units for zone control, in which heating/ chilled water is the controlled medium.

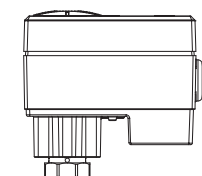
| Type       | Speed          | Power supply | Control signal                | Communication protocol   | Enclosure                           | Code No.        |
|------------|----------------|--------------|-------------------------------|--------------------------|-------------------------------------|-----------------|
| NovoCon® S | 3/6/12/24 s/mm | 24 V ac/dc   | 0-10 V, 2-10V, 0-20mA, 4-20mA | BACnet MS/TP, Modbus RTU | IP 54 (IP40 if mounted upside down) | <b>003Z8504</b> |



**AME(V) 110/120 NL**

The AME 110 and 120 are high precision modulating gear actuators that can be mounted on the AB-QM for precise control. They have a calibration function so the travel of the actuator always matches the stroke of the AB-QM perfectly. The actuator is suitable for both linear and logarithmic characteristics. The AME(V) 110/120 fits to AB-QM DN 15 LF to DN 32 HF.

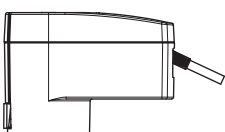
| Type        | Speed   | Feedback signal | Power supply | Control signal                | Enclosure | Code No.        |
|-------------|---------|-----------------|--------------|-------------------------------|-----------|-----------------|
| AMV 110 NL  | 24 s/mm | No              | 24 V ac      | 3 point                       | IP 42     | <b>082H8056</b> |
| AMV 120 NL  | 12 s/mm | No              |              |                               |           | <b>082H8057</b> |
| AME 110 NL  | 24 s/mm | No              |              | 0-10 V, 2-10V, 0-20mA, 4-20mA |           | <b>082H8058</b> |
| AME 110 NLX | 24 s/mm | Yes             |              |                               |           | <b>082H8060</b> |
| AME 120 NL  | 12 s/mm | No              |              |                               |           | <b>082H5059</b> |



**AME 13 SU/SD**

The AME 13 is a precision gear actuator that has a built-in spring that will close the valve (Spring Down, SD) or open the valve (Spring Up, SU) if the power on the actuator is lost. The characteristic can be set to Logarithmic or Linear with a dip switch. The AME 13 SU/SD fits to AB-QM DN 15 LF to DN 32 HF.

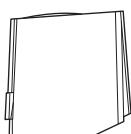
| Type        | Speed   | Spring          | Power supply | Control signal                | Feedback signal | Enclosure | Code No.        |
|-------------|---------|-----------------|--------------|-------------------------------|-----------------|-----------|-----------------|
| AME 13 SU-1 | 14 s/mm | Spring to open  | 24 V ac      | 0-10 V, 2-10V, 0-20mA, 4-20mA | 0-10 V, 2-10V   | IP 54     | <b>082H5006</b> |
| AME 13 SD-1 |         | Spring to close |              |                               |                 |           | <b>082H5007</b> |



**AME 113**

The AME 113 are modulated controlled gear actuators that has a build in battery operated function that opens or closes the valve if the power on the actuator is lost. The AME 113 has a logarithmic characteristic. They have a calibration function so the travel of the actuator always matches the stroke of the AB-QM valve. The AME 113 fits to AB-QM DN 15 LF to DN 32 HF.

| Type           | Speed   | Safety function  | Power supply | Control signal | Feedback signal | Enclosure | Code No.         |
|----------------|---------|------------------|--------------|----------------|-----------------|-----------|------------------|
| AME 113 NL SD  | 15 s/mm | Closes the valve | 24 V ac/dc   | 0-10 V         | -               | IP 54     | <b>082H5007M</b> |
| AME 113 NL SU  |         | Opens the valve  |              |                |                 |           | <b>082H5008</b>  |
| AME 113 NLX SD |         | Closes the valve |              |                | 0-10 V          |           | <b>082H5000</b>  |
| AME 113 NLX SU |         | Opens the valve  |              |                |                 |           | <b>082H5001</b>  |



**ABNM-A5**

The ABNM is a thermal modulating actuator. It can be used to modulate the AB-QM if speed or precision is not the first concern. ABNM has either a Logarithmic (LOG) or a Linear (LIN) characteristic which should be chosen to fit the application. It is available in Normally Open (NO) and Normally Closed (NC) versions, as well as in 24V DC and AC. The ABNM-A5 fits to AB-QM DN 15 LF to DN 32 HF.

| Cables   | Code No.        |
|----------|-----------------|
| 1 meter  | <b>082F1081</b> |
| 5 meter  | <b>082F1082</b> |
| 10 meter | <b>082F1083</b> |

| Type    | NO/NC | LOG/LIN | Supply voltage | Stroke | Full stroke time | Enclosure | Code No.        |
|---------|-------|---------|----------------|--------|------------------|-----------|-----------------|
| ABNM-A5 | NC    | LOG     | 24 V ac        | 5 mm   | 3-5 min          | IP 54     | <b>082F1160</b> |
| ABNM-A5 | NC    | LIN     |                | 5 mm   |                  |           | <b>082F1161</b> |
| ABNM-A5 | NC    | LOG     |                | 6.5 mm |                  |           | <b>082F1162</b> |
| ABNM-A5 | NO    | LOG     |                | 6.5 mm |                  |           | <b>082F1163</b> |
| ABNM-A5 | NC    | LIN     |                | 6.5 mm |                  |           | <b>082F1164</b> |
| ABNM-A5 | NO    | LIN     |                | 6.5 mm |                  |           | <b>082F1165</b> |
| ABNM-A5 | NC    | LOG     | 24 V dc        | 6.5 mm | <b>082F1166</b>  |           |                 |
| ABNM-A5 | NO    | LOG     |                | 6.5 mm | <b>082F1167</b>  |           |                 |

Note: ABN & ABNM A5 with 5mm stroke are only able to open AB-QM DN 25-32 90%.

**TWA-Q**

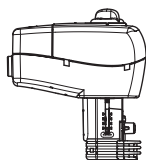
TWA-Q is a thermal actuator that is used for On/Off applications, where control precision and speed are not prioritized. It is available in Normally Open (NO) and Normally Closed (NC) versions and in 24 and 230 Volt. TWA-Q has a position indicator to show if it is open or closed. The TWA-Q fits to AB-QM DN 15 LF to DN 32 HF.



| Type  | NC/NO | Voltage   | Stroke | Full stroke time <sup>1)</sup> | Enclosure | Code No.        |
|-------|-------|-----------|--------|--------------------------------|-----------|-----------------|
| TWA-Q | NC    | 230V AC   | 5 mm   | <3 min.                        | IP 54     | <b>082F1600</b> |
| TWA-Q | NO    | 230V AC   | 5 mm   |                                |           | <b>082F1601</b> |
| TWA-Q | NC    | 24V AC/DC | 5 mm   |                                |           | <b>082F1602</b> |
| TWA-Q | NO    | 24V AC/DC | 5 mm   |                                |           | <b>082F1603</b> |

<sup>1)</sup> at room temperature.

**Actuators overview  
AB-QM DN 40-100**



**NovoCon® M**

NovoCon® M is a high accuracy multi-functional field bus actuator, specifically designed for use in combination with the NovoCon Pressure Independent Balancing Control Valve type NovoCon AB-QM in sizes from DN 40-100, please see separate data sheet. The NovoCon® M actuator with AB-QM is used in air handling units AHU, chillers and distribution station applications.

| Type       | Speed          | Power supply | Control signal                | Communication protocol   | Enclosure | Code No.        |
|------------|----------------|--------------|-------------------------------|--------------------------|-----------|-----------------|
| NovoCon® M | 3/6/12/24 s/mm | 24 V ac/dc   | 0-10 V, 2-10V, 0-20mA, 4-20mA | BACnet MS/TP, Modbus RTU | IP 54     | <b>003Z8540</b> |

**AME 435 QM**

The AME 435 QM is a high precision modulating gear actuator that can be mounted on the AB-QM for precise control. It has a calibration function, so the travel of the actuator always matches the stroke of the AB-QM perfectly. The actuator is suitable for both linear and logarithmic characteristics. The AME 435 QM fits to AB-QM DN 40 to DN 100 HF.

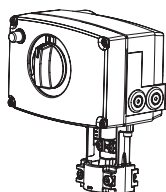
| Type       | Speed       | Power supply | Control signal                | Feedback signal | Enclosure | Code No.        |
|------------|-------------|--------------|-------------------------------|-----------------|-----------|-----------------|
| AME 435 QM | 7.5/15 s/mm | 24 V ac/dc   | 0-10 V, 2-10V, 0-20mA, 4-20mA | 0-10 V, 2-10V   | IP 54     | <b>082H0171</b> |

**AME 25 SU/SD**

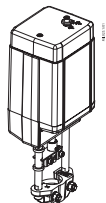
The AME 25 SU/SD is a precision gear actuator that has a built-in spring that will close the valve (Spring Down, SD) or open the valve (Spring Up, SU) if the power on the actuator is lost. The characteristic can be set to Logarithmic or Linear with a dip switch. The AME 25 SU/SD fits to AB-QM DN 40 to DN 100 HF.

| Type      | Speed   | Power supply | Control signal                | Feedback signal | Enclosure | Code No.        |
|-----------|---------|--------------|-------------------------------|-----------------|-----------|-----------------|
| AME 25 SD | 15 s/mm | 24 V ac      | 0-10 V, 2-10V, 0-20mA, 4-20mA | 0-10 V, 2-10V   | IP 54     | <b>082H3038</b> |
| AME 25 SU |         |              |                               |                 |           | <b>082H3041</b> |

Please consider adapter is needed **003Z0694**



**Actuators overview  
AB-QM DN 125-150**



**AME 55 QM**

AME 55 QM and AME 655-1 actuators are used with pressure independent balancing and control valve type AB-QM DN 125 and DN 150.

| Type      | Speed  | Power supply | Control signal                | Feedback signal | Enclosure | Code No.        |
|-----------|--------|--------------|-------------------------------|-----------------|-----------|-----------------|
| AME 55 QM | 8 s/mm | 24 V ac      | 0-10 V, 2-10V, 0-20mA, 4-20mA | 0-10 V, 2-10V   | IP 54     | <b>082H3078</b> |

**AME 655-1**

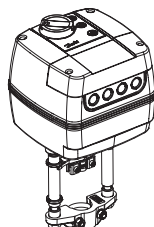
| Type      | Speed    | Power supply | Control signal                | Feedback signal               | Enclosure | Code No.        |
|-----------|----------|--------------|-------------------------------|-------------------------------|-----------|-----------------|
| AME 655-1 | 2/6 s/mm | 24 V ac/dc   | 0-10 V, 2-10V, 0-20mA, 4-20mA | 0-10 V, 2-10V, 0-20mA, 4-20mA | IP 54     | <b>082H5010</b> |

**AME 658 SU/SD-1**

AME 658 SU/SD-1 actuator is used together with pressure independent balancing and control valves type AB-QM DN 125 and DN 150. The AME 658 SU/SU-1 is a precision gear actuator that has a built-in spring that will close the valve (Spring Down, SD) or open the valve (Spring Up, SU) if the power on the actuator is lost. The characteristic can be set to Logarithmic or Linear with a dip switch.

| Type         | Speed    | Power supply | Control signal                | Feedback signal               | Enclosure | Code No.        |
|--------------|----------|--------------|-------------------------------|-------------------------------|-----------|-----------------|
| AME 658 SU-1 | 4/6 s/mm | 24 V ac/dc   | 0-10 V, 2-10V, 0-20mA, 4-20mA | 0-10 V, 2-10V, 0-20mA, 4-20mA | IP 54     | <b>082H5012</b> |
| AME 658 SD-1 |          |              |                               |                               |           | <b>082H5011</b> |

All actuators type "-1" are UL certified.

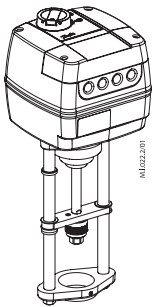


**NovoCon® L**

NovoCon® L is a high accuracy multi-functional fieldbus actuator, specifically designed for use in combination with the Pressure Independent Control Valve type AB-QM in sizes from DN 125-150 used in air handling units AHU, chillers and distribution station applications. NovoCon® L SU/SD has a built-in a spring that will close the valve (Spring Down, SD) or open the valve (Spring Up, SU) if the power on the actuator is lost.

| Type          | Speed          | Power supply | Control signal                | Communication protocol   | Enclosure | Code No.        |
|---------------|----------------|--------------|-------------------------------|--------------------------|-----------|-----------------|
| NovoCon® L    | 3/6/12/24 s/mm | 24 V ac/dc   | 0-10 V, 2-10V, 0-20mA, 4-20mA | BACnet MS/TP, Modbus RTU | IP 54     | <b>003Z8560</b> |
| NovoCon® L SU |                |              |                               |                          |           | <b>003Z8561</b> |
| NovoCon® L SD |                |              |                               |                          |           | <b>003Z8562</b> |

Actuators overview  
AB-QM DN 200-250



**AME 685-1**

AME 685-1 are used together with large pressure independent balancing and control valves type AB-QM DN 200 and DN 250.

| Type      | Speed    | Power supply | Control signal                | Feedback signal               | Enclosure | Code No.        |
|-----------|----------|--------------|-------------------------------|-------------------------------|-----------|-----------------|
| AME 685-1 | 3/6 s/mm | 24 V ac/dc   | 0-10 V, 2-10V, 0-20mA, 4-20mA | 0-10 V, 2-10V, 0-20mA, 4-20mA | IP 54     | <b>003Z8563</b> |

**NovoCon® XL**

NovoCon® XL is a high accuracy multi-functional fieldbus actuator, specifically designed for use in combination with the Pressure Independent Control Valve type AB-QM in sizes from DN 200- 250 used in air handling units AHU, chillers and distribution station applications.

| Type        | Speed          | Power supply | Control signal                | Communication protocol   | Enclosure | Code No.        |
|-------------|----------------|--------------|-------------------------------|--------------------------|-----------|-----------------|
| NovoCon® XL | 3/6/12/24 s/mm | 24 V ac/dc   | 0-10 V, 2-10V, 0-20mA, 4-20mA | BACnet MS/TP, Modbus RTU | IP 54     | <b>003Z8563</b> |

*In case other types of actuators are needed please contact our local sales representative.*

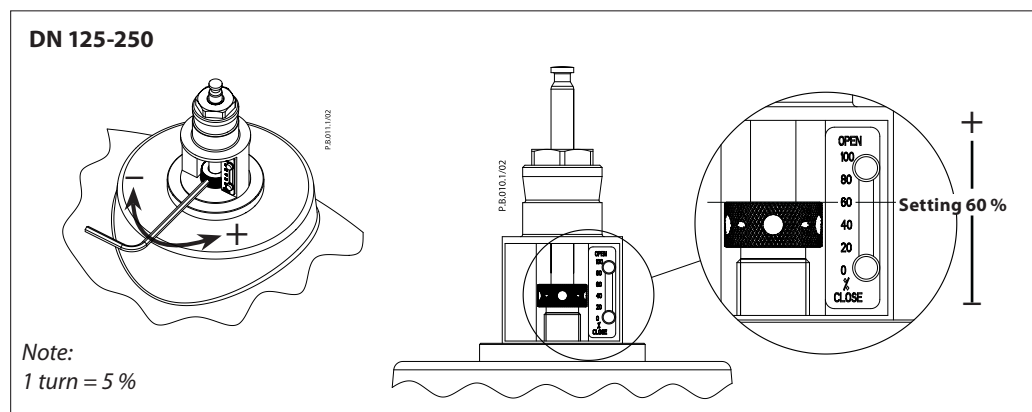
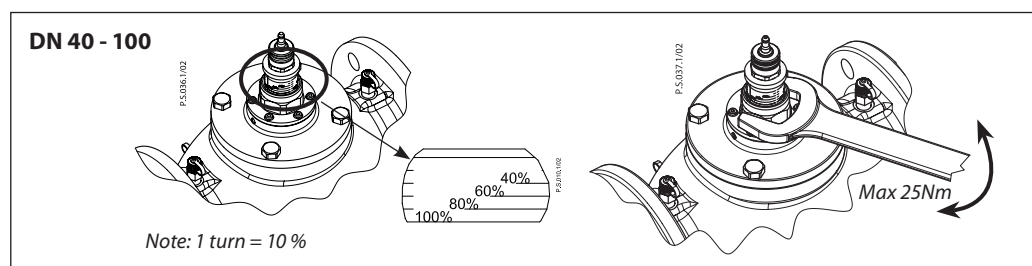
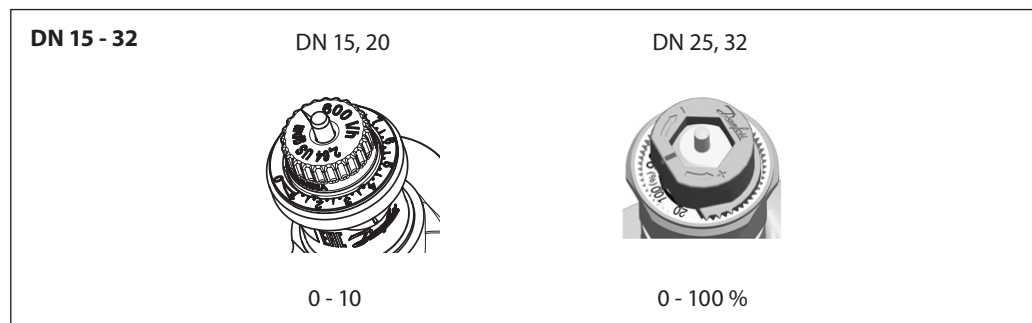
Presetting

**DN 15-32**

The calculated flow can be adjusted easily without using special tools. The change of presetting (factory setting is 100% (10) follow steps below:

1. Remove the blue protective cap or the mounted actuator
2. Raise the pointer (DN 25-32)

3. Turn the pointer (clockwise to decrease) to the new setting
4. Press pointer back into lock position (DN 25-32) the presetting scale indicates values from 100% flow to 0% (DN 25-32) and 10-0 (DN 15-20). Clockwise turning would decrease the flow value while counter clockwise would increase it.





**Service**

**DN 15-32**

For the service shut off function, it is recommended to install the valve in the supply water pipe.

**DN 40-100**

For the service shut-off function, the valve can be installed in either supply or return pipe.

Valves are equipped with manual shut-off for isolating function up to 16 bar.

**DN 125-250**

For the service shut-off function, the valve can be installed in either supply or return pipe.

For shut-off set the valve to 0%.

**Tender text**

A pressure independent balancing and control valve with a linear control characteristic that is independent of the available pressure and setting. Make: Danfoss AB-QM or equivalent.

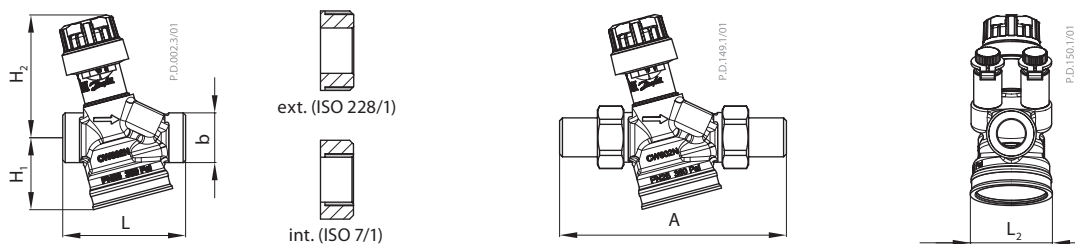
The pressure independent valve should have the following features:

- Automatic flow limitation function
- Membrane driven design for reduced clogging risk
- Modulating below 1% of set flow, regardless of the setting
- Maximum flow clearly marked on the valve
- Authority of 1 at all settings
- Ability to close against 16 Bar of differential pressure.
- Linear control characteristic
- Linear setting
- Control ratio 1:1000
- Test plugs for pump optimization and flow verification for DN 15-250. Available in the range from DN 10 – 250 from one supplier.
- Option to change the characteristic from linear to equal percentage at all sizes by adjusting actuator settings.
- Leakage rate of no visible leakage (IEC 60534-4:2007 class IV) for DN 15 - DN 20 in combination with recommended actuator
- Leakage of 0.05 % of the  $Q_{nom}$  for DN 25 - DN 100 (IEC 60534-4:2007 class III) in combination with recommended actuator
- Leakage of 0.01 % of the  $Q_{nom}$  for DN 125 - DN 250 (IEC 60534-4:2007 class IV) in combination with recommended actuator
- Flow measurements (AB-QM DN 15, 20) according to BS7350:1990

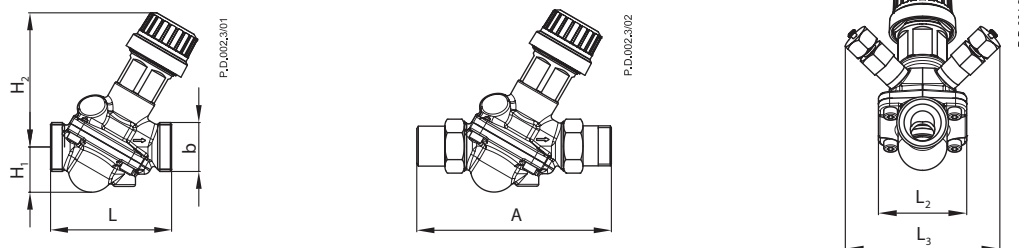
**Insulation**

| DN | L   | H <sub>1</sub> | H <sub>2</sub> | D  | Fire class                       |
|----|-----|----------------|----------------|----|----------------------------------|
|    | mm  |                |                |    |                                  |
| 15 | 113 | 62             | 56             | 68 | E (EN 13501-1),<br>B2 (DIN 4102) |
| 20 | 120 | 62             | 60             | 75 |                                  |

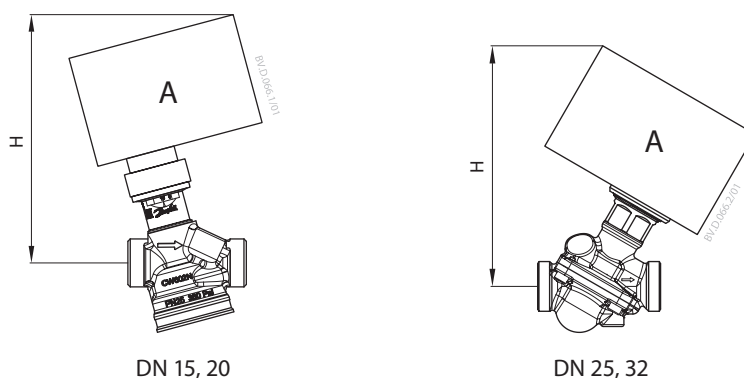
Dimensions



| DN | Length   |      |          |      | Height         |                | Threaded | Welded | L <sub>2</sub><br>(mm) |
|----|----------|------|----------|------|----------------|----------------|----------|--------|------------------------|
|    | external |      | internal |      | H <sub>1</sub> | H <sub>2</sub> | A        | A      |                        |
|    | L (mm)   | b    | L (mm)   | b    | (mm)           |                |          |        |                        |
| 15 | 65       | G ¾A | 75       | Rp ½ | 38.2           | 65.2           | 120      | 139    | 42.6                   |
| 20 | 82       | G 1A | 85       | Rp ¾ | 43.9           | 67.2           | 143      | 166    | 49.4                   |

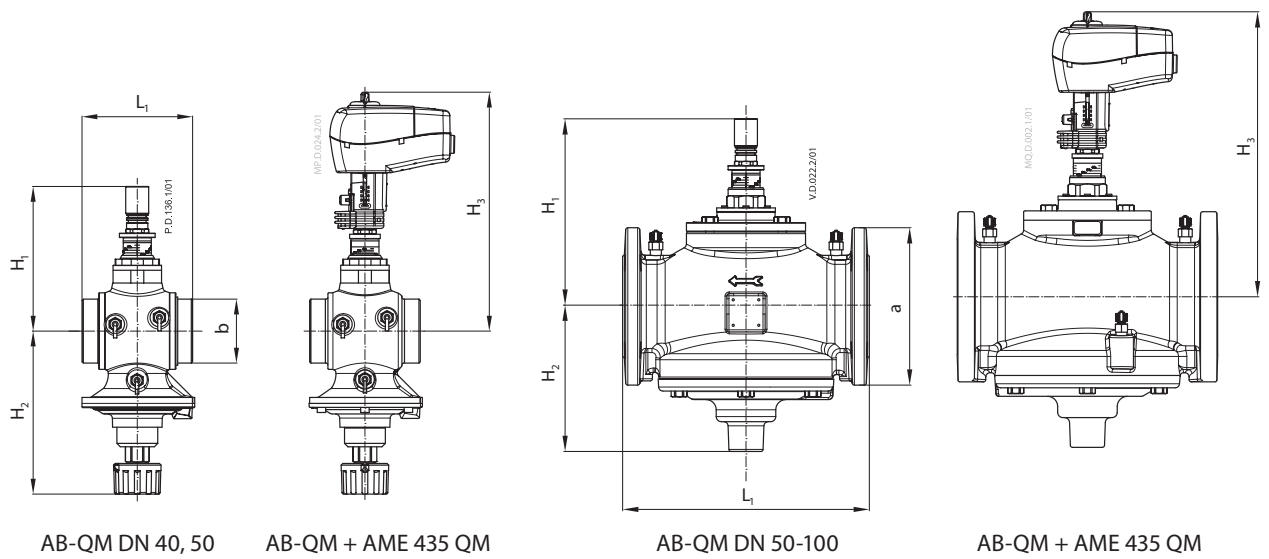


| DN | Length    |       | Height         |                | Threaded | Welded | L <sub>2</sub> | L <sub>3</sub> |
|----|-----------|-------|----------------|----------------|----------|--------|----------------|----------------|
|    | L<br>(mm) | b     | H <sub>1</sub> | H <sub>2</sub> | A        |        |                |                |
|    |           |       | (mm)           |                | (mm)     |        |                |                |
| 25 | 104       | G 1 ¼ | 39.2           | 82.6           | 174      | 188    | 71             | 79             |
| 32 | 130       | G 1 ½ | 48.7           | 93.8           | 207      | 214    | 90             | 79             |



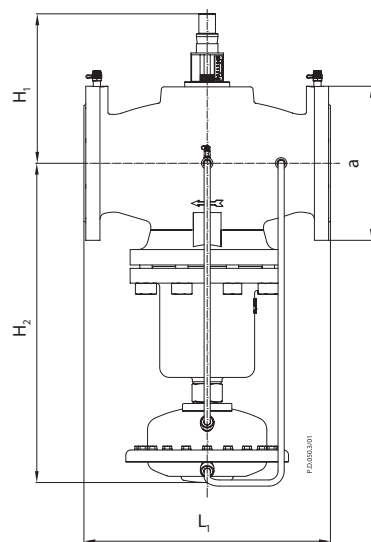
| DN | TWA-Q  | ABNM A5 | AME/AMV 110NL,<br>120 NL, AMI 140 | NovoConS | AME 13 SU | Valve weight<br>(kg) |          |
|----|--------|---------|-----------------------------------|----------|-----------|----------------------|----------|
|    | H (mm) |         |                                   |          |           |                      | external |
| 15 | 110.8  | 97.8    | 131.3                             | 130.1    | 210.7     | 0.56                 | 0.59     |
| 20 | 112    | 99      | 132.5                             | 131.3    | 212.1     | 0.75                 | 0.73     |
| 25 | 117    | 124     | 155                               | 153      | 233.9     | 1.45                 |          |
| 32 | 128    | 136     | 166                               | 164      | 245       | 2.21                 |          |

Dimensions (continuous)

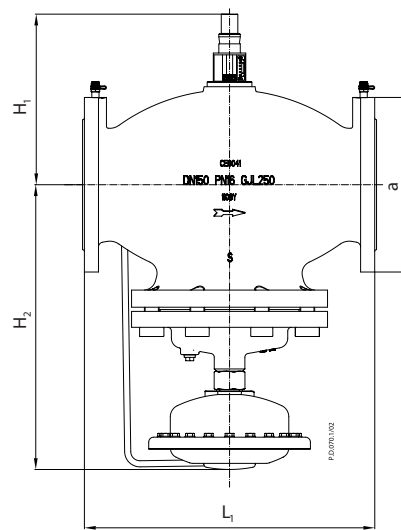


| DN | L <sub>1</sub> | H <sub>1</sub> | H <sub>2</sub> | H <sub>3</sub> | b<br>(ISO 228/1) | Weight<br>(kg) |
|----|----------------|----------------|----------------|----------------|------------------|----------------|
|    | mm             |                |                |                |                  |                |
| 40 | 110            | 170            | 174            | 280            | G 2              | 6.9            |
| 50 | 130            | 170            | 174            | 280            | G 2 ½            | 7.8            |

| DN  | L <sub>1</sub> | H <sub>1</sub> | H <sub>2</sub> | H <sub>3</sub> | a<br>(EN 1092-2) | Weight<br>(kg) |
|-----|----------------|----------------|----------------|----------------|------------------|----------------|
|     | mm             |                |                |                |                  |                |
| 50  | 230            | 170            | 174            | 280            | 165              | 14.2           |
| 65  | 290            | 220            | 172            | 330            | 185              | 38.0           |
| 80  | 310            | 225            | 177            | 335            | 200              | 45.0           |
| 100 | 350            | 240            | 187            | 350            | 220              | 57.0           |



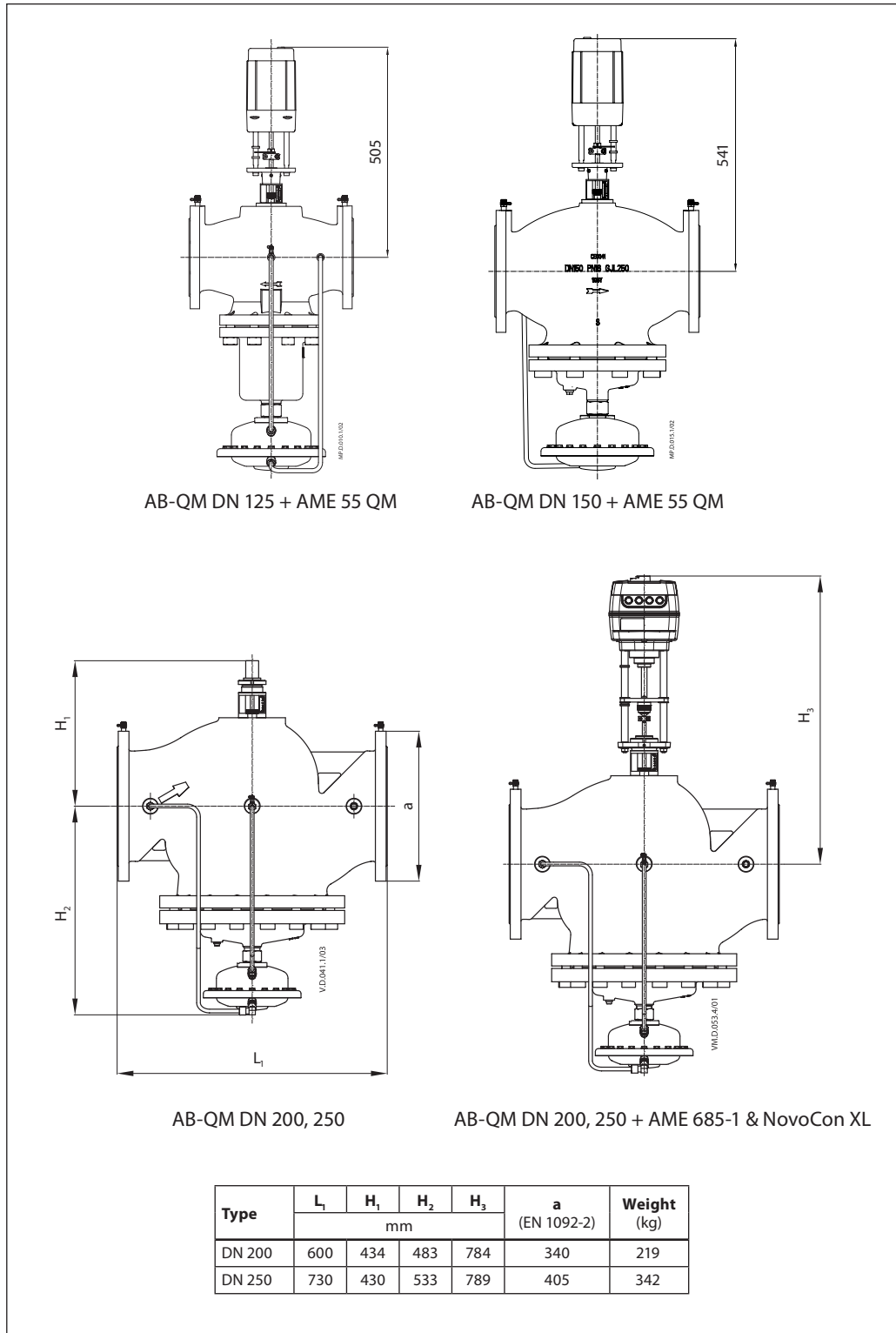
AB-QM DN 125



AB-QM DN 150

| DN  | L <sub>1</sub> | H <sub>1</sub> | H <sub>2</sub> | a<br>(EN 1092-2) | Weight<br>(kg) |
|-----|----------------|----------------|----------------|------------------|----------------|
|     | mm             |                |                |                  |                |
| 125 | 400            | 234            | 532            | 250              | 85.3           |
| 150 | 480            | 308            | 465            | 285              | 138            |

Dimensions (continuous)



Danfoss A/S

Climate Solutions • danfoss.com • +45 7488 2222

Any information, including, but not limited to information on selection of product, its application or use, product design, weight, dimensions, capacity or any other technical data in product manuals, catalogues descriptions, advertisements, etc. and whether made available in writing, orally, electronically, online or via download, shall be considered informative, and is only binding if and to the extent, explicit reference is made in a quotation or order confirmation. Danfoss cannot accept any responsibility for possible errors in catalogues, brochures, videos and other material. Danfoss reserves the right to alter its products without notice. This also applies to products ordered but not delivered provided that such alterations can be made without changes to form, fit or function of the product.

All trademarks in this material are property of Danfoss A/S or Danfoss group companies. Danfoss and the Danfoss logo are trademarks of Danfoss A/S. All rights reserved.