

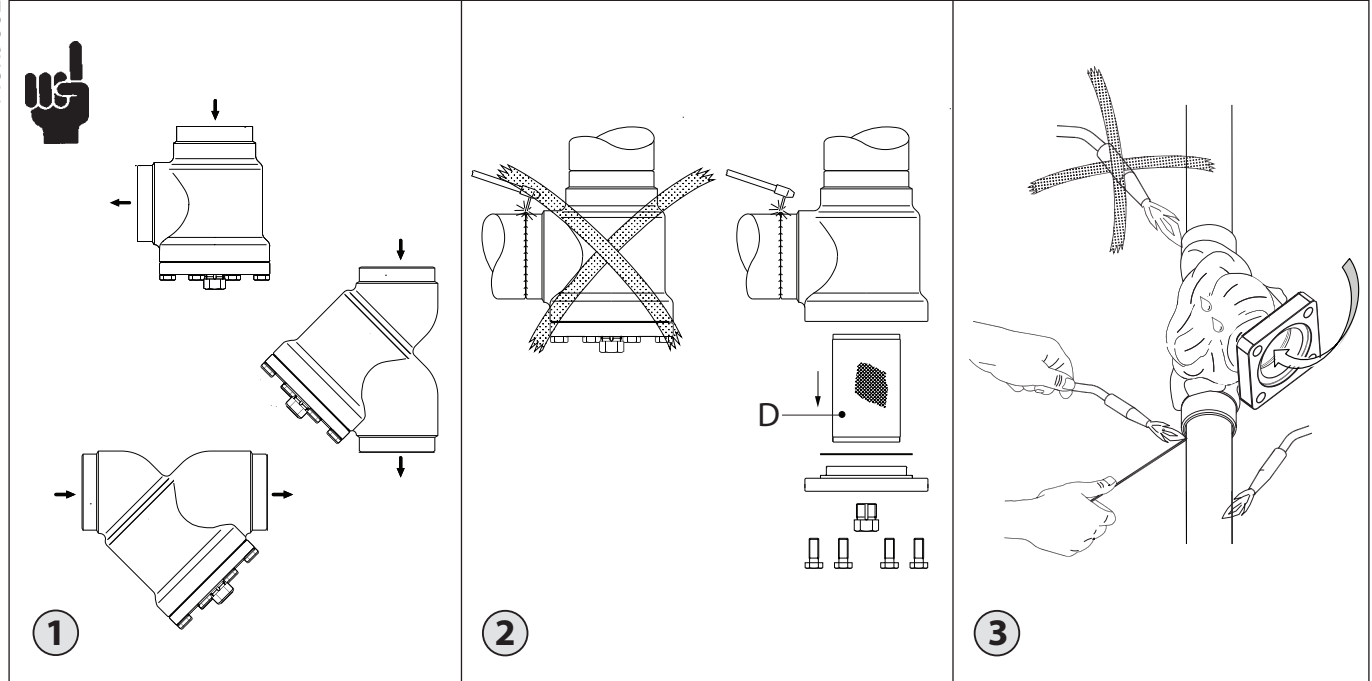
Installation guide

# Strainer

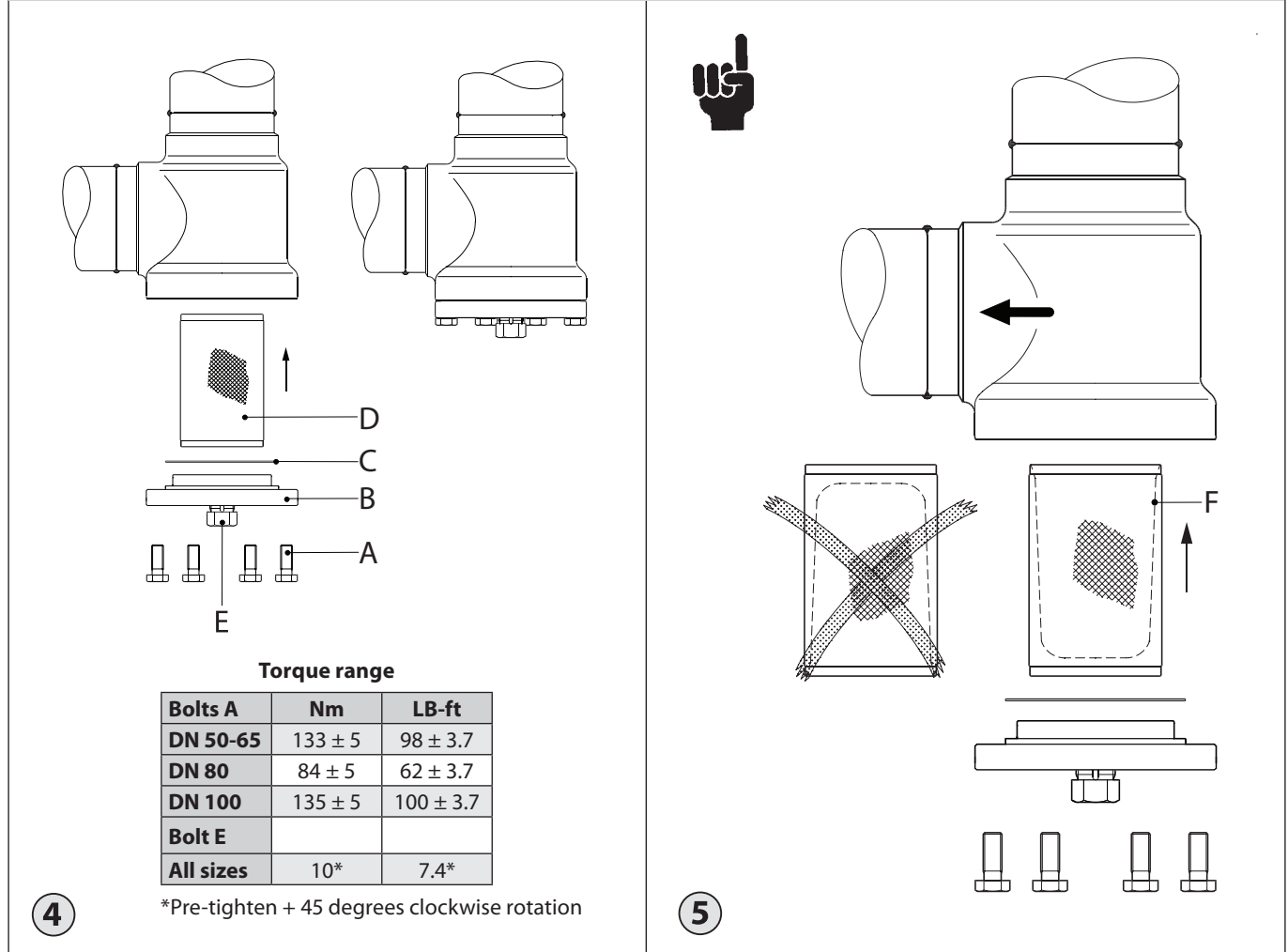
FIA-140B DN 50-100

148R9662

148R9662



Maintenance



**Torque range**

Bolts A	Nm	LB-ft
DN 50-65	133 ± 5	98 ± 3.7
DN 80	84 ± 5	62 ± 3.7
DN 100	135 ± 5	100 ± 3.7
<b>Bolt E</b>		
<b>All sizes</b>	10*	7.4*

\*Pre-tighten + 45 degrees clockwise rotation

Info for UK customers only: Danfoss Ltd. Oxford Road, UB9 4LH Denham, UK

ENGLISH

**Refrigerants**

Applicable to R744 (CO<sub>2</sub>).

The strainer is only recommended for use in closed circuits. For further information please contact your local Danfoss sales office.

**Pressure and temperature range**

FIA-140B DN 50-100: The strainers are designed for a max. working ressure of 140 bar (2030 psig) at -40/+150 °C (-40/+302 °F).

**Installation**

**Note:**

At delivery the strainer housing is not equipped with strainer insert or accessories.

The strainer must be installed with the top cover downwards, and the flow must be directed towards the top cover as indicated by the arrow on the strainer housing (**fig. 1**). The strainer insert must be inserted after welding.

The strainer housing is designed to withstand a high internal pressure. However, the piping system should be designed to avoid liquid traps and reduce the risk of hydraulic pressure caused by thermal expansion. It must be ensured that the strainer is protected from pressure transients like "liquid hammer" in the system.

**Recommended flow direction**

The strainer must be installed with the flow towards the top cover as indicated by the arrow on the side of the valve body (**fig. 1**). Flow in the opposite direction is not acceptable.

**Welding**

The top cover should be removed before welding (**fig. 2**) to prevent damage to the gasket between the strainer housing and top cover. Only materials and welding methods compatible with the valve housing material, must be applied to the valve housing.

Clean the strainer housing internally to remove welding debris at completion of welding and before the strainer is reassembled.

Removing the top cover can be omitted provided that:

The temperature in the area between the strainer housing and top cover during welding does not exceed +150 °C/+302 °F. This temperature depends on the welding method as well as on any cooling of the strainer housing during the welding itself.

Cooling can be ensured by, for example, wrapping a wet cloth around the filter body. Make sure that no dirt, welding debris etc. get into the strainer during the welding procedure.

The strainer housing must be free from stresses (external loads) after installation.

Strainers must not be mounted in systems where the outlet side of the strainer is open to atmosphere. The outlet side of the strainer must always be connected to the system or properly capped off, for example with a welded-on end plate.

**Brazing**

When brazing Danfoss recommends Ag40 minimum 450 – 700 °C filler or better which are suitable for the working pressure shall be used and following procedure observed (**fig. 3**):

- Remove top cover/insert
- Clean connections with cleaning agent
- Wrap around wet cloth
- Apply flux on piping ends
- Apply inert gas internal
- Heat up piping
- Braze with recommended brazing material and within temperature range specified
- Remove residual flux

**Assembly**

Remove welding debris and any dirt from pipes and strainer housing before assembly. Check that the strainer insert has the right size before it is inserted in the top cover and check that the gasket is undamaged. Place the strainer insert (**pos. D**) from underneath. The insert has a slight force fit into the housing, no gaskets or O-rings are used. If magnet inserts have been chosen as accessory, fit those on the top cover before replacing the cover.

**Tightening**

Tighten the top cover with a torque wrench, to the values indicated in the table (**fig. 4**). Please note that the maximum torque stated must not be exceeded.

If the drain valve has been chosen as accessory, the drain plug should be replaced by the drain valve.

**Colors and identification**

The FIA strainers are painted with a green oxide primer in the factory. Precise identification of the strainer is made via the ID plate on the top cover, as well as by the stamping on the strainer housing. The external surface of the strainer housing must be prevented against corrosion with a suitable protective coating after installation and assembly. Be sure to protect the ID plate when repainting the strainer.

**Maintenance**

**Mounting of accessory: Filter bag**

A 50µ filter bag, especially for commissioning of the plant, can replace the normal strainer insert.

Mount the filter bag (held in place by the filter holder) and be sure to place the filter bag correctly in the strainer as shown in **pos. F** in **fig. 5**.

The flow must go into the filter bag cavity and out or else the bag will not function properly.

**Dismantling the strainer (fig. 4)**

Before servicing the strainer, isolate it from the system. Drain CO<sub>2</sub> e.g. via the top cover connection to above 5,2 bara to prevent large formation of dry ice before evacuation to zero pressure. Check for refrigerant pressure before unscrewing and removing the top cover. The strainer insert must be removed without any use of tools.

**Cleaning**

Clean the strainer insert using an appropriate solvent by flushing and brushing. The use of strong acids cannot be recommended. The strainer insert must be wiped or blown dry before inspection. If the insert is damaged or the sediments cannot be removed, the strainer insert must be replaced.

**Assembly**

Remove any dirt from the housing before the strainer is assembled.

**Replacement of gasket**

Change the gasket for the top cover (**pos. C**) and drain plug.

Check that the strainer insert is correctly placed before remounting the top cover and bolts (**pos. A**).

**Tightening (fig. 4)**

Tighten the top cover bolts (**pos. A**) with a torque wrench according to the table in **fig. 4**.

Check and tighten the purge screw (**pos. E**) according to the table in **fig. 4**.

Use only original Danfoss parts (including gaskets) for replacement.

Materials of new parts are certified for the relevant refrigerant.

**Charging**

Charge CO<sub>2</sub> gas e.g. via the top cover connection to above 5,2 bara to prevent large formation of dry ice when charging with CO<sub>2</sub> liquid or equalizing with system pressure.

In cases of doubt, please contact your local Danfoss sales office.

Any information, including, but not limited to information on selection of product, its application or use, product design, weight, dimensions, capacity or any other technical data in product manuals, catalogues descriptions, advertisements, etc. and whether made available in writing, orally, electronically, online or via download, shall be considered informative, and is only binding if and to the extent, explicit reference is made in a quotation or order confirmation. Danfoss cannot accept any responsibility for possible errors in catalogues, brochures, videos and other material. Danfoss reserves the right to alter its products without notice. This also applies to products ordered but not delivered provided that such alterations can be made without changes to form, fit or function of the product.

All trademarks in this material are property of Danfoss A/S or Danfoss group companies. Danfoss and the Danfoss logo are trademarks of Danfoss A/S. All rights reserved.