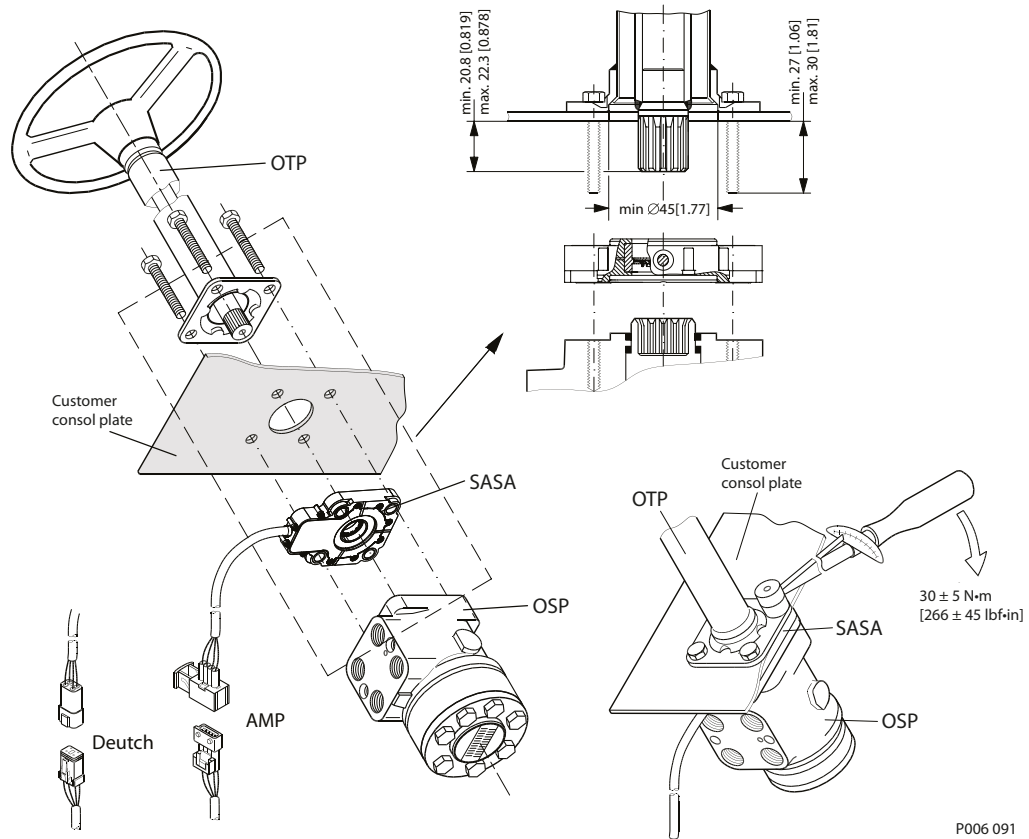


Installation Guide

Steering Wheel Sensor Type SASA



SASA Assembly

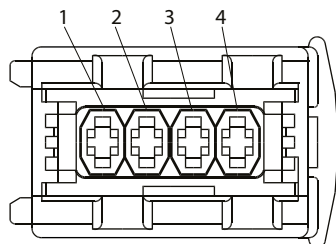


There is a risk of bending the spline profile of SASA sensor in case of using force. Make sure that the spline profile of the SASA sensor is aligned to the profile of the steering column shaft. A safe method of assembly is to place SASA sensor on the steering column spline shaft first - and not opposite!

Cable Connections

AMP connector version, type 2-967059-1

AMP connector pin-out



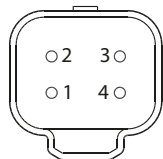
1. CAN-Low
2. + Supply voltage
3. Ground
4. CAN-High

Mating connector assembly	AMP type 2-965261-1
JPT contact	2-962915-1
Wire sealing	828904-1

SASA Assembly

Deutsch connector version, type DT04-4P-CE02

Deutsch connector pin-out



1. CAN-High
2. CAN-Low
3. + Supply voltage
4. Ground

Housing	DT04-4S-CE02
Crimp	0462-201-16141
Wedge	W4S

AMP or Deutsch operating conditions

Description	Type	Value
Supply voltage	Nominal	12 - 24 V _{DC}
	Minimum	9 V
	Maximum	32 V
Temperature	Range	30° to 60°C [86 - 140°F]
	Minimum	-30°C [-22°F]
	Maximum	85°C [185°F]
Power consumption	-	<1 W
Current consumption	Operational mode	<85 mA
Grade of enclosure	AMP or Deutsch	IP 65

Safety function: If a failure occurs, the CAN-bus will “fail silent”.
The CAN-bus driver will be disabled.

Warning

All types of sensors are used under a wide range of operating conditions, in many types of machines and therefore may fail and cause serious injury or damage.
The machine manufacturer has the sole responsibility for determining which product is most suitable and ensuring that requirements on performance, safety and warnings are met for all machines.
It is important that the machine will be analysed in all details.
When choosing a control system and level of safety, ISO 13849 (Safety-related parts of control systems) may provide suitable help.

Products we offer:

- Bent Axis Motors
- Closed Circuit Axial Piston Pumps and Motors
- Displays
- Electrohydraulic Power Steering
- Electrohydraulics
- Hydraulic Power Steering
- Integrated Systems
- Joysticks and Control Handles
- Microcontrollers and Software
- Open Circuit Axial Piston Pumps
- Orbital Motors
- PLUS+1® GUIDE
- Proportional Valves
- Sensors
- Steering
- Transit Mixer Drives

Danfoss Power Solutions is a global manufacturer and supplier of high-quality hydraulic and electronic components. We specialize in providing state-of-the-art technology and solutions that excel in the harsh operating conditions of the mobile off-highway market. Building on our extensive applications expertise, we work closely with our customers to ensure exceptional performance for a broad range of off-highway vehicles.

We help OEMs around the world speed up system development, reduce costs and bring vehicles to market faster.

Danfoss – Your Strongest Partner in Mobile Hydraulics.

Go to www.powersolutions.danfoss.com for further product information.

Wherever off-highway vehicles are at work, so is Danfoss. We offer expert worldwide support for our customers, ensuring the best possible solutions for outstanding performance. And with an extensive network of Global Service Partners, we also provide comprehensive global service for all of our components.

Please contact the Danfoss Power Solution representative nearest you.

Comatrol

www.comatrol.com

Turolla

www.turollaocg.com

Hydro-Gear

www.hydro-gear.com

Daikin-Sauer-Danfoss

www.daikin-sauer-danfoss.com

Local address:

**Danfoss
Power Solutions (US) Company**
2800 East 13th Street
Ames, IA 50010, USA
Phone: +1 515 239 6000

**Danfoss
Power Solutions GmbH & Co. OHG**
Krokamp 35
D-24539 Neumünster, Germany
Phone: +49 4321 871 0

**Danfoss
Power Solutions ApS**
Nordborgvej 81
DK-6430 Nordborg, Denmark
Phone: +45 7488 2222

**Danfoss
Power Solutions Trading
(Shanghai) Co., Ltd.**
Building #22, No. 1000 Jin Hai Rd
Jin Qiao, Pudong New District
Shanghai, China 201206
Phone: +86 21 3418 5200

Danfoss can accept no responsibility for possible errors in catalogues, brochures and other printed material. Danfoss reserves the right to alter its products without notice. This also applies to products already on order provided that such alterations can be made without changes being necessary in specifications already agreed. All trademarks in this material are property of the respective companies. Danfoss and the Danfoss logotype are trademarks of Danfoss A/S. All rights reserved.