

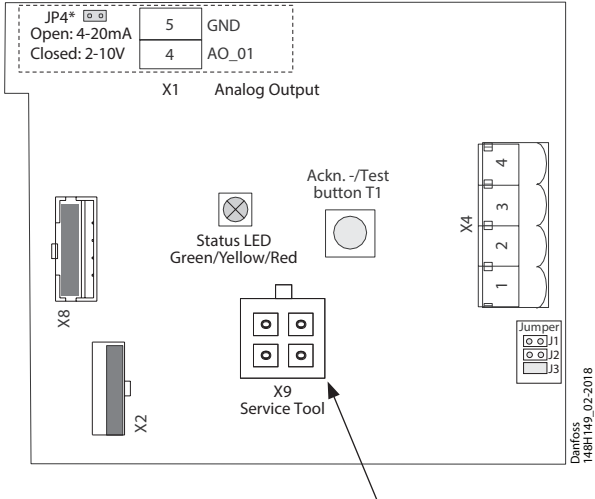
Installation Guide

# Gas detection Service Tool for configuration of Basic, Premium, Heavy Duty and Controller expansion modules

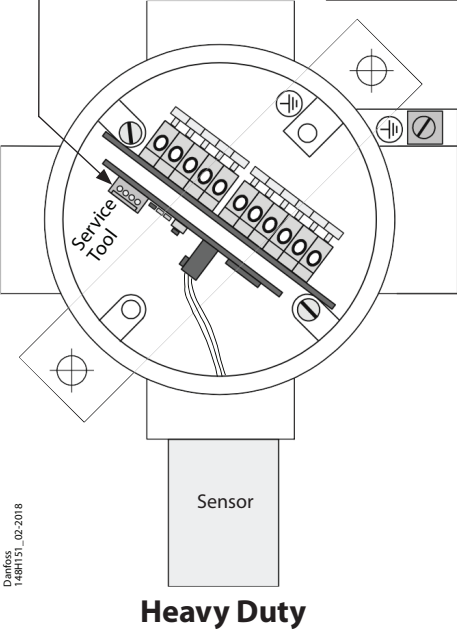
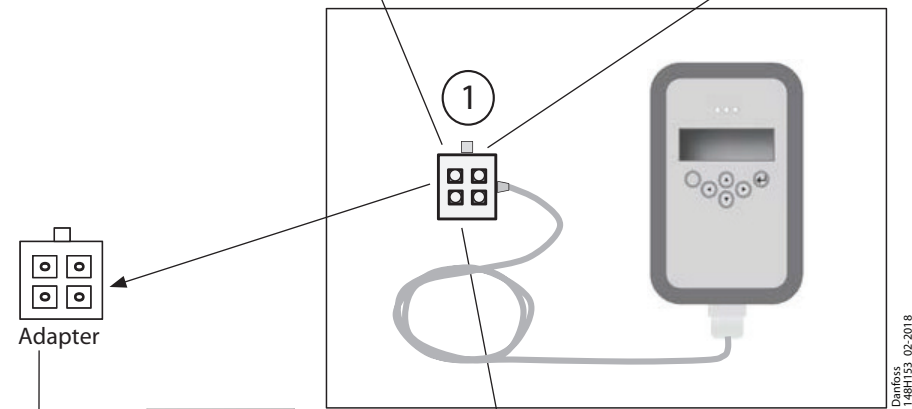
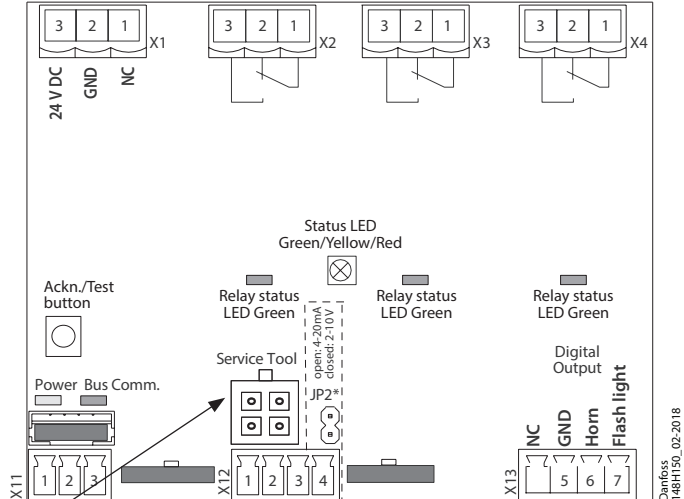
148R9639

148R9639

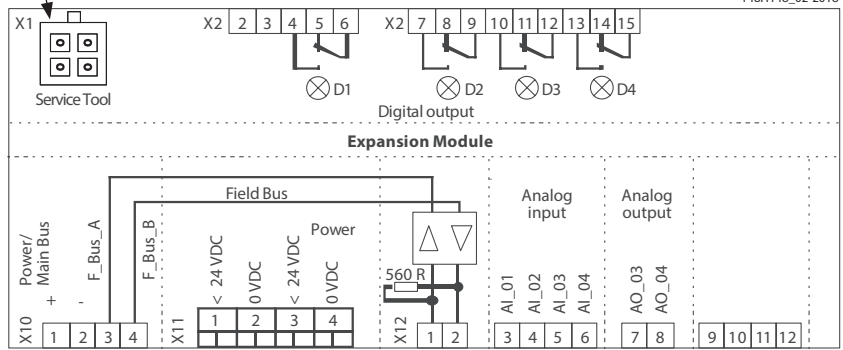
## Basic



## Premium



## Heavy Duty



## Controller expansion module

1. Plug-in Service tool plug
2. Await Display light
3. Follow instructions in User Guide DKRCI.PS.S00.B1.02

## ENGLISH

### Software features:

- Addressing of the Basic, Premium and Heavy Duty devices
- Calibration of the Basic, Premium and Heavy Duty devices
- Configuration of application parameters of the Basic, Premium and Heavy Duty devices
- Monitoring of all measuring values at a glance, live

To access the user guide please go to further documentation.

---

*Further documentation:*

