



What was ever cool about waste? Cut a slice out of your energy bill with variable speed control

Optimise display cabinet cooling with SLV compressors

Up to 40%

energy reduction

possible with variable speed control in super-market and convenience store cabinets, compared to non-optimised compressors.

HACCP

compliance is easy

with built-in data logging that enables you to document your cold chain to the smallest detail.





SLV WITH INTELLIGENT 220 V 50/60 HZ CONTROLLER

Why settle for second best, when you can secure both high quality food and a low energy bill in a single compressor?

SLV compressors are the natural choice when you need a versatile package for a wide range of applications. Built-in to this compact, reliable and easy to install unit you can find countless features that ensure you can make the most of your investment.

The built-in data logging function which monitors system

performance and the intelligent controller for ultimate control and alarm management, are just a few of the enhancements that place SLV compressors above other optimised compressors.

The integrated design of the compressors helps reduce system costs, while adding the option to use the environmentally friendly refrigerant, R290.

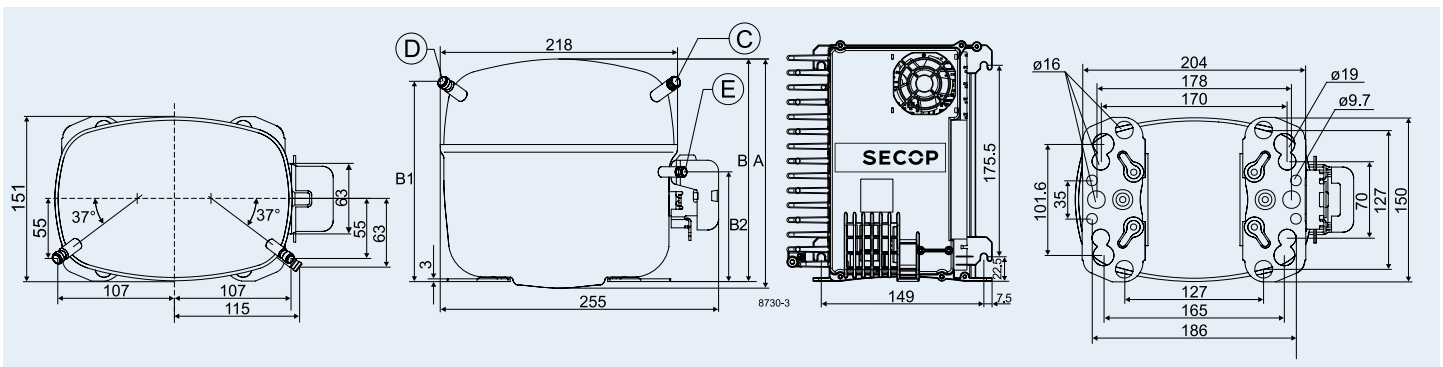
Contact us to learn more about how you can cut costs without cutting quality.

General (code numbers)	SLV15CNK.2 (R290)	SLV12CLK.2 (R404A/R507)	SLV12MLK (R404A/R507)
Compressor (without electronic unit)	104H8541	104L2603	104L2604
Electronic unit	105N46xx series controller		105N4630
Approvals	EN 60335-2-34, CCC		GB4706.1, GB4706.17

Application									
Application		LBP				MBP			
Frequency	Hz	50	60	50	60	50	60	50	60
Evaporating temperature	°C	-40 to -10	-40 to -10	-40 to -10	-40 to -10	-25 to 7.2	-25 to 7.2	-25 to 7.2	-25 to 7.2
Voltage (50/60 Hz)	V	180 - 254	180 - 254	180 - 254	180 - 254	180 - 254	180 - 254	180 - 254	180 - 254

Performance data (EN12900/CECOMAF • 220 V/50 Hz • 4,000 rpm • fan cooling 3.0 m/s)													
Evaporating temperature	°C	-40	-25	-23.3	-10	-40	-25	-23.3	-10	-20	-10	-6.7	0
Cooling capacity	watt	325	792	858	1494	200	720	782	1339	886	1404	1610	2088
Power consumption	watt	355	583	607	771	270	588	611	731	675	845	895	990
Current consumption	A	1.68	2.68	2.78	3.56	0.91	2.77	2.90	3.31	3.16	3.93	4.24	4.96
COP	W/W	0.92	1.36	1.42	1.94	0.74	1.22	1.28	1.83	1.31	1.66	1.80	2.11

Dimensions			
Height	mm	A	199
		B	193
		B1	173
		B2	90
Suction connector	location/I.D. mm angle	C	10.2 37°
	material seal		Cu-plated steel Al cap
Process connector	location/I.D. mm angle	D	6.2 37°
	material seal		Cu-plated steel Al cap
Discharge connector	location/I.D. mm angle	E	6.2 37°
	material seal		Cu-plated steel Al cap
Connector tolerance	I.D. mm		±0.09



Products presented in current brochure are manufactured by Secop GMBH, formerly Danfoss Household Compressors. They are available through Danfoss sales network.

Danfoss can accept no responsibility for possible errors in catalogues, brochures and other printed material. Danfoss reserves the right to alter its products without notice. This also applies to products already on order provided that such alterations can be made without subsequent changes being necessary in specifications already agreed. All trademarks in this material are property of the respective companies. Danfoss and the Danfoss logotype are trademarks of Danfoss A/S. All rights reserved