

Data Sheet

Electrohydraulic Actuator

PVED-CC

The PVG32 and PVG100 high performance valves are developed and refined in cooperation with OEM from all market segments. To control the valves with high accuracy we have developed our electrical actuators. The PVED-CC is the ISOBUS compliant member of that family.

The PVED-CC adds high level feed back and effective cabling to the easy controllability and high precision to the known PVE features.

The PVED-CC is now available with new PLUS+1[®] Service Tool.

Features

- ISOBUS CAN control
- Flow control and position control
- Full configurable ramp, scaling and progressivity
- Easy mass configuration
- High level valve feedback
- Advanced built in diagnostic functions
- Easy to use service tool
- Optional power save feature

Comprehensive technical literature online
at powersolutions.danfoss.com



CAN communication means efficient cabling

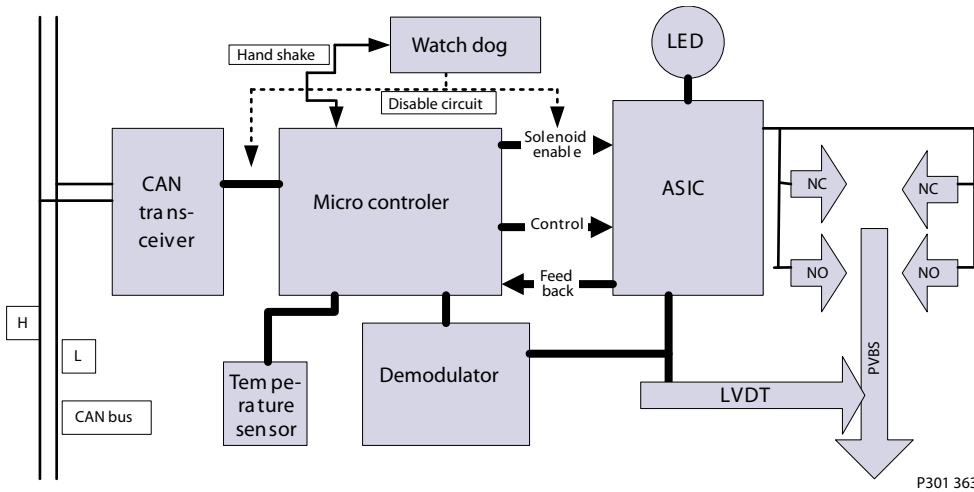
The PVED-CC controls valves with well known Danfoss precision but with less cabling. One communication cable can facilitate all the CAN components on the vehicle and ensure high quality control and feedback. Contains the same analogue position control circuits as the PVES plus digital circuitry to enable flow control using CAN. The added digital capability enables higher levels of safety and diagnostic functions in the PVED-CC.

Digital control means insights

The digital control of the PVED-CC continuously monitors valve behavior and actuator reliability. The closed loop control of the valve is enhanced with flow reporting to the system. The high number of internal evaluations ensures control of valve control.

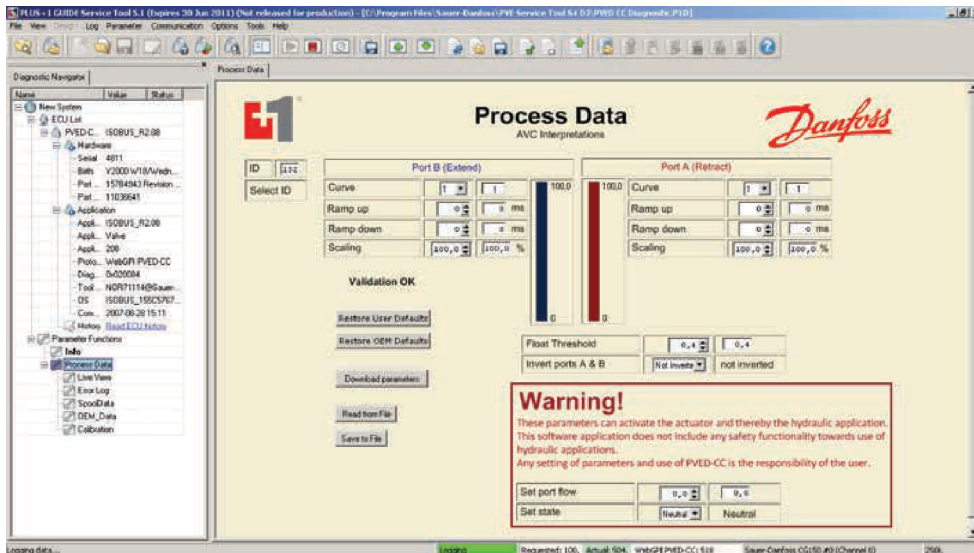
PVED-CC means personalized applications

The possibility to set ramps, scaling and progressivity for the valve and system behavior general makes it possible to customize the application to almost any work condition.



Setting parameters

The ramp, scaling, and progressivity parameters can be set using ISOBUS Process Data CAN telegrams. This is also easy done with the Danfoss PLUS+1[®] Service Tool S4 DJ.



Further technical documentation and part numbers

Electrohydraulic Actuator - PVED-CC Series 4. Technical information. 520L0665

Danfoss can accept no responsibility for possible errors in catalogues, brochures and other printed material. Danfoss reserves the right to alter its products without notice. This also applies to products already on order provided that such alterations can be made without changes being necessary in specifications already agreed. All trademarks in this material are property of the respective companies. Danfoss and the Danfoss logotype are trademarks of Danfoss A/S. All rights reserved.