

Data Sheet

# PLUS+1<sup>®</sup> GUIDE

## Take Control of Your Applications with PLUS+1<sup>®</sup> GUIDE!

GUIDE (Graphical User Integrated Development Environment) is a member of the PLUS+1<sup>®</sup> family of products that provide complete vehicle control solutions. Other PLUS+1<sup>®</sup> products include controllers, displays, and electrohydraulic products.

GUIDE allows graphical development of machine management applications, downloading of software via CAN, and development of user specific service and diagnostic tools. GUIDE maximizes OEM engineering productivity and protects intellectual property.

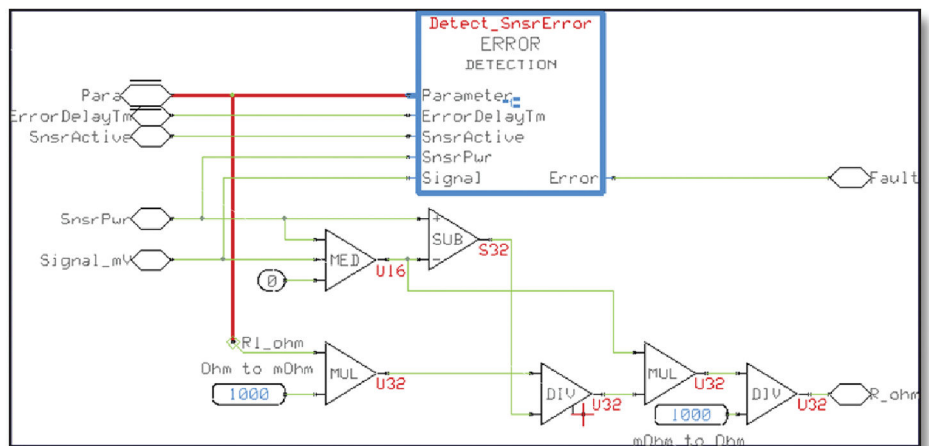
### PLUS+1<sup>®</sup> GUIDE Development Tool

GUIDE uses graphic symbols and components to create application drawings that are easily understood by inexperienced programmers. The drawing represents the software application which is then automatically coded and serves as the documentation for the program.



### Features

- Rapid production of applications enabled by dragging and dropping proven graphical software objects.
- Built on reliable, robust field-proven tools.
- Assures protection of proprietary intellectual property.
- Graphical editor allows easy development of applications by inexperienced programmers.
- PLUS+1<sup>®</sup> compliant function blocks increase productivity by allowing rapid set-up of Danfoss compliant sensor, pump, motor, and valve products.



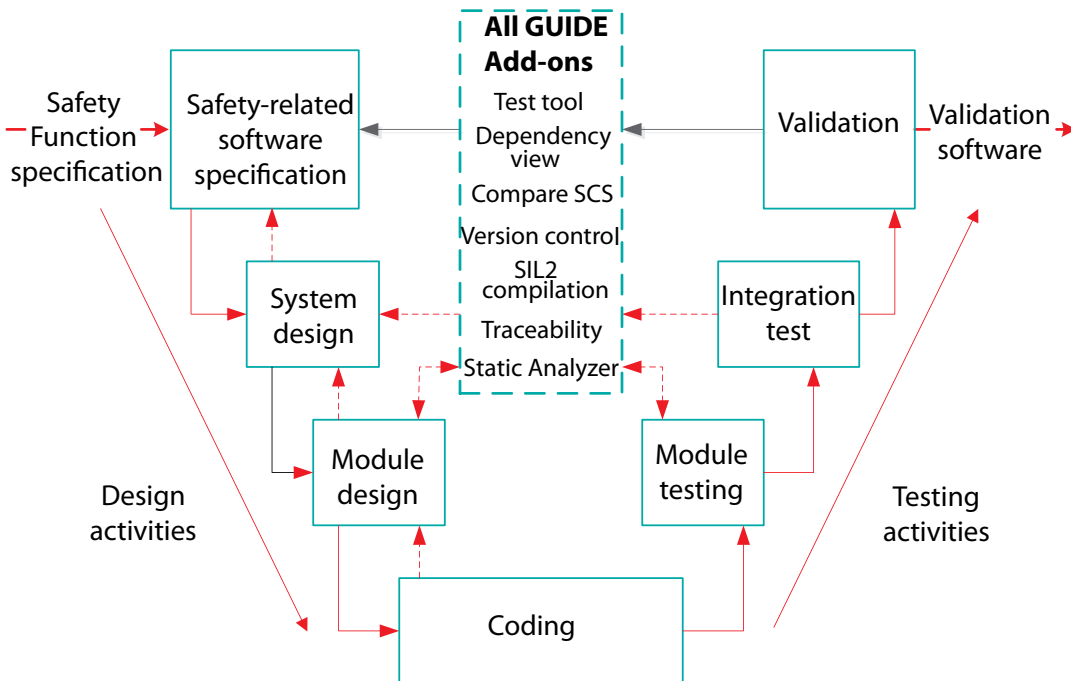
Comprehensive technical literature is online at [www.danfoss.com](http://www.danfoss.com)

**PLUS+1® GUIDE Development Tool**

- Symbols and components are selected from a palette and dropped onto the drawing space.
- Danfoss developed function blocks are available for common control requirements such as PID control, ramp, filter, and command signal profiles.
- GUIDE compliance blocks allow rapid integration of input and output signals from Danfoss electrohydraulic products through the use of predetermined signal types and parameter default settings.
- Graphical programming reduces the number of steps required to develop an application; source code is generated directly from the application drawing to reduce coding errors.
- On-line and context-sensitive help allows easy comprehension of product features.
- Application data logging aids machine diagnostics.

**Service Tool**

PLUS+1® includes an easy to use download feature. Application files are downloaded to the target controller via CAN. The download tool allows PLUS+1® users to access all of the controllers and intelligent modules on the PLUS+1® network. Simple, fast, reliable communications between a controller, or network of controllers, and a PC USB port is accomplished with the CG150 CAN/USB gateway.



*System requirements*

|            | Service Tool Minimum  | GUIDE Minimum  | GUIDE/Service Tool Recommended |
|------------|---|--|--------------------------------|
| CPU*       | 3.0 GHz, 64-bit (x64), 4 cores, 2012 or later   |  |                                |
| OS         | 64-bit Windows 7 or 10 (It is recommended to keep the OS up-to-date with the latest updates)  |  |                                |
| UAC        | Local Administrator Access is needed only for installation of the tools, not for running them |  |                                |
| RAM        | 1 GB  |  | 3 GB                           |
| HD         | >1 GB Free, HDD   |  | >2 GB Free, SSD                |
| Resolution | 1280 x 1024   |  | 1920 x 1080                    |
| Email      | For license registration  |  |                                |
| PDF        | Any recent standards compliant pdf reader   |  |                                |
| Web        | Any recent standards compliant web browser (for HTML based F1 help)                           |  |                                |
| XML        | MSXML 4.0 Service Pack 2 (Microsoft XML Core Services)  |  |                                |
| .Net       | N/A   | Version 4 (Full) is needed for PLC code support in GUIDE |                                |

\* The CPU should be intended for at least laptop use. Processors designed for netbooks, tablets or similar are not recommended.

*Ordering information*

| Description                                    | Part number |
|--|-------------|
| Library-Work Function                          | 11179529    |
| Library- Propel Application Library (Advanced) | 11182154    |
| Integration-Simulink S Function                | 11179531    |
| PLUS+1® GUIDE Professional                     | 11179523    |
| PLUS+1® GUIDE Add-ons                          | 11179525    |
| PLUS+1® Service Tool Add-ons                   | 11179527    |

*Related product*

| Description                                    | Part number |
|--|-------------|
| CG150-2 CAN/USB Gateway Interface Communicator | 11153051    |

*Reference literature (on line at [www.danfoss.com](http://www.danfoss.com))*

| Title                              | Literature ID |
|------------------------------------|---------------|
| PLUS+1® GUIDE User Manual          | 10100824      |
| PLUS+1® Service Tool User Manual   | L1307770      |
| PLUS+1® Service Tool Design Manual | L1320837      |

ENGINEERING  
TOMORROW



---

Danfoss can accept no responsibility for possible errors in catalogues, brochures and other printed material. Danfoss reserves the right to alter its products without notice. This also applies to products already on order provided that such alterations can be made without subsequent changes being necessary in specifications already agreed.  
All trademarks in this material are property of the respective companies. Danfoss and the Danfoss logotype are trademarks of Danfoss A/S. All rights reserved.

---