

Data Sheet

Orbital Motor

TMTHW

The Danfoss TMTHW Orbital Motor covers the highest performing motor for work functions, the TMTHW is performing excellent on applications where the demand for high torque and high speed is needed (compared to other hydraulic-motor principles). The extra sealing design allows high pressure rating performance. The increased bearing capacity design makes the TMTHW more robust and gives more reliability in certain applications. Danfoss now has 2 size TMTHW motors.

TMTHW Size: 315-800cc

The TMTHW Motor is designed by Danfoss Power Solutions in Denmark, who for more than 50 years has been developing state-of-the-art orbital motors. It is based upon the same design principles as the well-proven Danfoss TMT Motor.



Features

- Robust bearing design
- Not sensitive towards return pressure
- Extra patented sealing design
- High pressure rating
- Excellent performance / weight
- Designed based on decades of experience with orbital motor-technology

Applications

- Harvester heads
- Forest machine
- Conveyor belts
- Skid steer loader
- Stone Crusher
- Crane
- And more

Key Data

- Displacement range: 315-800 cc
- Speed (max): 590 rpm
- Output torque (int.): 3510 Nm
- Pressure drop up to 350 bar
- Flow up to 240 l/min
- Effect up to 65 kW
- Port connection G 3/4"

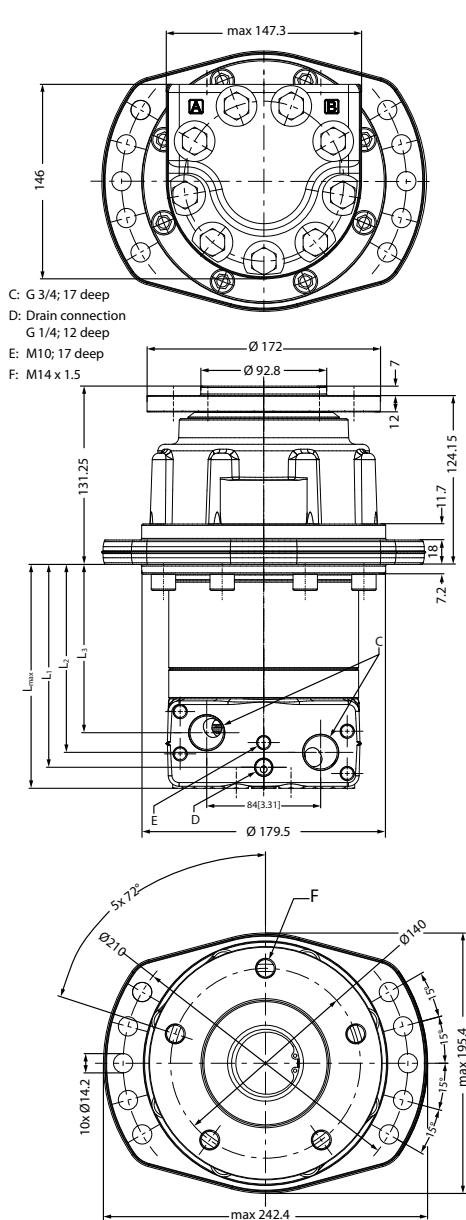
Comprehensive technical literature online
at powersolutions.danfoss.com

Benefits

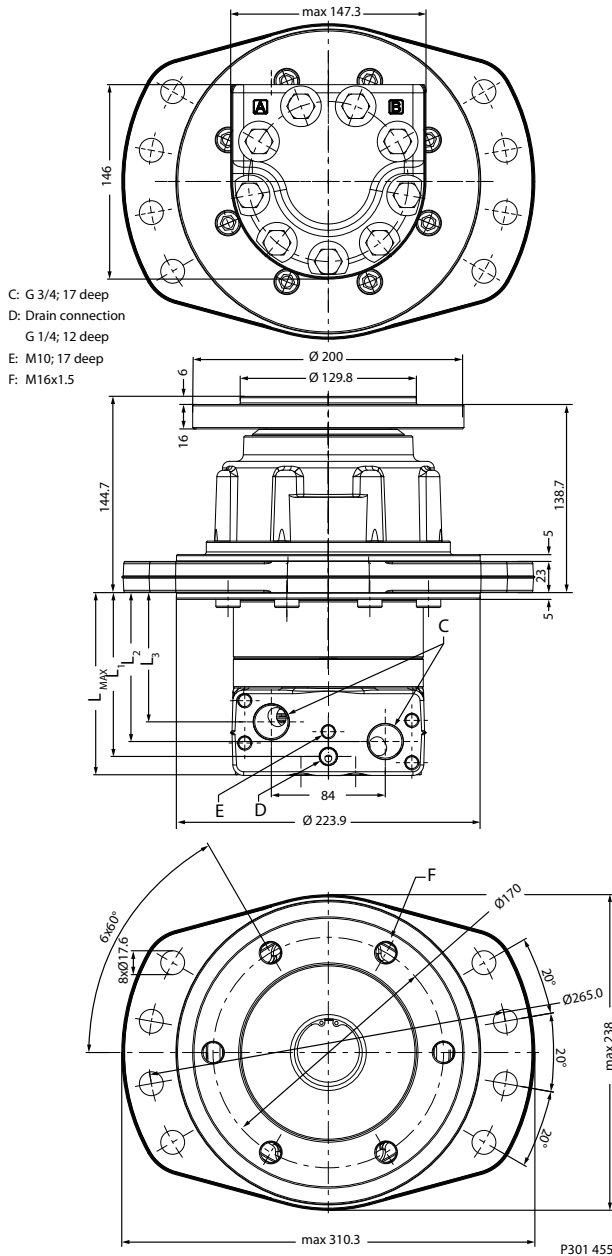
- Increased productivity and performance in use
- Better energy-optimizing
- Less service costs

Dimensions

Sizes 315-800cc (left) and 400-800cc (right)



C: G 3/4; 17 deep
 D: Drain connection
 G 1/4; 12 deep
 E: M10; 17 deep
 F: M14 x 1.5



C: G 3/4; 17 deep
 D: Drain connection
 G 1/4; 12 deep
 E: M10; 17 deep
 F: M16x1.5

| Size | Output shaft | Weight | Mounting flange |
|------------------|--------------------------------|--------------|--------------------------------------|
| 315-800cc | F180/5xM14 BC ø140/PD.ø92.8 | 34-38 kg | Wheel 10x ø14 BC ø210/PD ø180 |
| 400-800cc | F200/6xM16 BC ø170/PD.ø130 | 42.1-44.5 kg | Wheel 8x ø17,5 BC ø265/PD ø224 |

| Size | L _{MAX} (mm) | L ₁ (mm) | L ₂ (mm) | L ₃ (mm) |
|------------------|-----------------------|---------------------|---------------------|---------------------|
| 315-800cc | | | | |
| TMTHW 315 | 133.1 | 114.9 | 103.9 | 89.4 |
| TMTHW 400 | 145.2 | 127.0 | 116.0 | 101.5 |
| TMTHW 500 | 153.8 | 135.6 | 124.6 | 110.1 |
| TMTHW 630 | 167.8 | 149.6 | 138.6 | 124.1 |
| TMTHW 800 | 167.8 | 149.6 | 138.6 | 124.1 |

TMTHW Orbital Motor

| Size | L_{MAX} (mm) | L₁ (mm) | L₂ (mm) | L₃ (mm) |
|------------------|-----------------------------|---------------------------|---------------------------|---------------------------|
| 400-800cc | | | | |
| TMTHW 400 | 139 | 120.8 | 109.8 | 95.3 |
| TMTHW 500 | 147.6 | 129.4 | 118.4 | 103.9 |
| TMTHW 630 | 161.6 | 143.4 | 132.4 | 117.9 |
| TMTHW 800 | 161.6 | 143.4 | 132.4 | 117.9 |

ENGINEERING
TOMORROW



Danfoss can accept no responsibility for possible errors in catalogues, brochures and other printed material. Danfoss reserves the right to alter its products without notice. This also applies to products already on order provided that such alterations can be made without changes being necessary in specifications already agreed.
All trademarks in this material are property of the respective companies. Danfoss and the Danfoss logotype are trademarks of Danfoss A/S. All rights reserved.
