

Data Sheet

PLUS+1[®] Safety Controllers

SC024-120 and SC024-122

Advanced mobile machine management

Danfoss PLUS+1[®] controllers are elements of the flexible, powerful, expandable, and affordable family of mobile machine management products. These devices are general-purpose controllers that are equally suited for use as members of a distributed machine control system, with intelligence in every node, or as stand-alone controllers.

These controllers are pin compatible with the Danfoss MC equivalent controller. These controllers have dual micro controllers with the secondary having access to all controller inputs and supervisory control of outputs. These controllers support smart digital inputs. Current measurement capability has been added to some multifunction inputs. Device outputs can be individually controlled by the secondary processor. These controllers support low power capability.

The SC024-122 controller has an application key that enables the use of Danfoss developed GUIDE machine control solutions. The same GUIDE HWD files are used with both controllers. The user can develop applications for these controllers using the PLUS+1[®] GUIDE development environment. Application code can be written for both the primary and secondary processors.

Features

- User-programmable with PLUS+1[®] GUIDE (Graphical User Integrated Development Environment)
- Same general I/O content as the PLUS+1[®] MC024-020 controller
- Dual processors
 - Primary: 512kB flash, 128kB RAM
 - Secondary: 128kB flash, 64kB RAM
 - Internal micro to micro UART
- 12 bit analog to digital converter
- 7 to 36 Vdc power supply, monitored internally
- Each PWM output may have a unique frequency
- 1 CAN 2.0B ports, the shield pin can be configured as a DIN/AIN
- User-defined 3 to 12 Vdc regulated power supply for external sensors
- 2 LEDs under user control
- Power supply for external sensors rated at 5 Vdc to 500 mA
- Operating temperature range is -40°C to +85°C
- EMC rating is 150 V/m
- CE compliant
- Certified SIL 2 Capable per IEC 61508 to IEC 61508 : 2010 Parts 1-7 and IEC 62061:2005+ A1:2012+ A2:2015

Comprehensive technical literature is online at www.danfoss.com



8 User-defined Inputs

- 5 Digital/Analog/Frequency
- 1 Digital/Analog/CAN shield
- 1 Digital/Analog/1.6 Vdc sensor power (for smart digital input capability)
- 1 Digital/Analog/3.3 Vdc sensor power (for smart digital input capability)

8 User-defined 3A PWM Outputs

- Digital: Configurable as source or sink
- PWM: (33 to 4000 Hz or 20 kHz) configurable as open or closed loop with current control
- Analog voltage: Open loop PWM at 20,000 Hz

Specifications

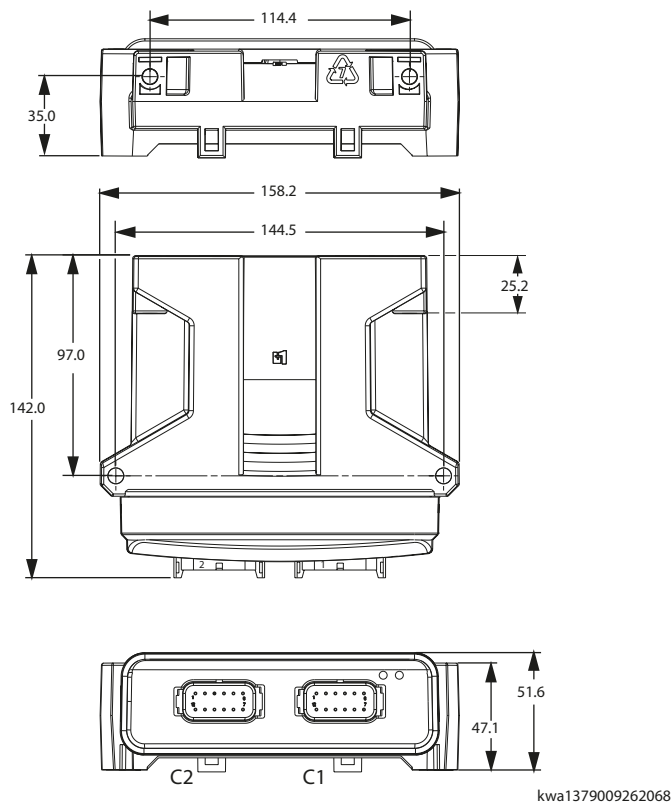
Product parameters

Supply voltage	7 to 36 V _{DC}
Operating temperature (ambient)	-40° C to 85° C [-40° F to 185° F]
Storage temperature	-40° C to 85° C [-40° F to 185° F]
IP rating (with mating connector attached)	IP 67
EMI/RFI rating	150 V/M
Weight	0.40 kg [0.88 lb]
Vibration	IEC 60068-2-64
Shock	IEC 60068-2-27 test Ea
Maximum current, sourcing	24 A
Maximum current, sinking	8 A

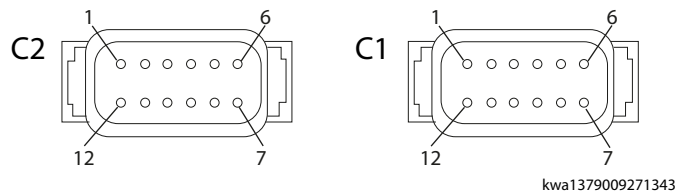
Dimensions and pin assignments

Mounting dimensions and pin assignments

Dimensions in mm [in]



Pin connector



kwa1379009271343

Pin	Controller function	Pin	Controller function
C2-P1	DIN/AIN/FreqIN	C1-P1	Power ground -
C2-P2	DIN/AIN/FreqIN	C1-P2	Power supply +
C2-P3	PWMOUT/CrntOUT/DOUT	C1-P3	CAN0 +
C2-P4	PWMOUT/CrntOUT/DOUT	C1-P4	CAN0 -
C2-P5	PWMOUT/CrntOUT/DOUT	C1-P5	DIN/AIN/CAN shield
C2-P6	PWMOUT/CrntOUT/DOUT	C1-P6	DIN/AIN/SnsrPwr1.6Vdc
C2-P7	PWMOUT/CrntOUT/DOUT	C1-P7	DIN/AIN/SnsrPwr3.3Vdc
C2-P8	PWMOUT/CrntOUT/DOUT	C1-P8	3-12 Vdc SnsrPwr +
C2-P9	PWMOUT/CrntOUT/DOUT	C1-P9	SnsrPwr - (sensor ground)
C2-P10	PWMOUT/CrntOUT/DOUT	C1-P10	DIN/AIN/FreqIN
C2-P11	Power supply +	C1-P11	DIN/AIN/FreqIN
C2-P12	Power supply +	C1-P12	DIN/AIN/FreqIN

Caution

PCB damage may occur. All device power supply + pins must be connected to battery +.

This device is not field serviceable. Opening the device housing will void the warranty.

Use care when wiring mating connector. Pinouts listed are for device pins.



Ordering information

Product part number

SC024-120	11159590
SC024-122 (with application key)	11159593

Related products part numbers

CG150-2 CAN/USB Gateway	11153051
DEUTSCH mating connector bag assembly	10102023 (16 to 20 AWG)
PLUS+1[®] GUIDE single user license	10101000

Danfoss can accept no responsibility for possible errors in catalogues, brochures and other printed material. Danfoss reserves the right to alter its products without notice. This also applies to products already on order provided that such alterations can be made without changes being necessary in specifications already agreed.
All trademarks in this material are property of the respective companies. Danfoss and the Danfoss logotype are trademarks of Danfoss A/S. All rights reserved.
