

Data sheet

# Safety relief valves

## Type SFA 15 and SFA 15-50



SFA 15 and SFA 15-50 are standard, **back pressure dependent** safety relief valves in angle-way execution, specially designed for protection of vessels and other components against excessive pressure.

SFA 15-50 has a 50% reduced capacity compared to SFA 15.

The valve is designed to meet the strict quality demands and safety requirements for refrigeration installations, specified by the international classification societies.

The spring housing is closed tightly to avoid refrigerant leakage.

The inlet flow diameters of the valves are:  
- 13 mm (½ in.) for both SFA 15 and SFA 15-50

The valves can be delivered with set pressures between 10 and 40 bar g (145 and 580 psi g).

Standard pressure setting valves having "TÜV Pressure Setting Certificate" with each valve, are also available.

### Features

- Applicable for the refrigerants HCFC, HFC, R717 (Ammonia), R744 (CO<sub>2</sub>) within a temperature range of -50°C\*/+100°C (-58°F\*/+212°F)
- Classification: DNV, BV, EAC etc.  
To get an updated list of certification on the products please contact your local Danfoss Sales Company.

### Technical data

- *Refrigerants*  
Applicable for the refrigerants HCFC, HFC, R717 (Ammonia), R744 (CO<sub>2</sub>) within a temperature range of -50°C\*/+100°C (-58°F\*/+212°F). Flammable hydrocarbons are not recommended. For further information please contact your local Danfoss Sales Company.
- *Pressure*  
Pressure setting range: 10 - 40 bar g (145 - 580 psi g). For further information please contact your local Danfoss Sales Company.  
  
Important: The SFA safety relief valve is dependent on the back pressure (if the back pressure is higher than the atmospheric pressure, the opening pressure will be higher than stated set pressure).
- *Pressure setting*  
The operating pressure of the plant should be at least 15% below the set pressure. This allows a perfect re-seating of the safety relief valve after having been activated.
- *Temperature range*  
-50°C\*/+100°C (-58°F\*/+212°F)

\* Below -30°C (-22°F) full tightness can only be guaranteed when refrigerant pressure is equal to or lower than 0.5 x P<sub>set</sub>

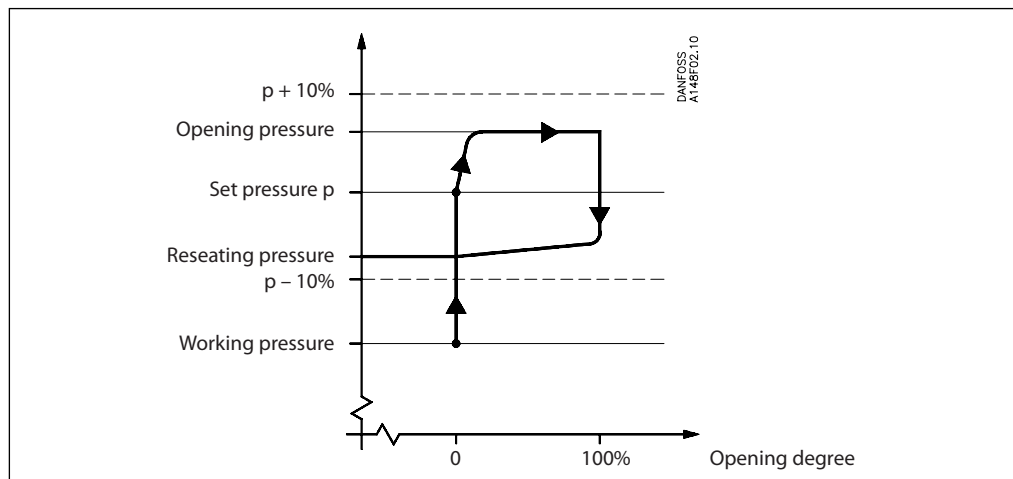


*Pressure Equipment Directive (PED)*

The SFA valves are approved in accordance with the European standard specified in the Pressure Equipment Directive and are CE marked. For further details / restrictions - see Installation Instruction

SFA valves	
Nominal bore	13 mm (0.512 in.)
Classified for	Fluid group I
Category	IV

**Design**



SFA is designed as a direct loaded safety valve recommended particularly for refrigeration applications. On a rise in pressure above the set pressure, the safety relief valve will initially start opening slightly, to minimise the outlet of

refrigerant. If the pressure continues to increase, the valve will open fully. The safety relief valve will be fully open before the pressure is 10% higher than set pressure, and fully closed before the pressure is 10% below set pressure.

*Connections*

Available with the following connections:

- Outside pipe thread T (ISO 228/1)
- Welding fittings (EN 10220)

*Housing*

Made of special steel approved for low temperature operation. Spindle, cone, and seat are made of stainless steel, to ensure precise operation even during extraordinary conditions. The gasket of the valve cone is made of a special chloroprene (neoprene) compound.

*Installation*

To ensure exact operation of the safety relief valve it should be installed with the spring housing upwards. When the valve is mounted, it is important to avoid the influence of static, dynamic and thermal stress.

A very precise technique has been applied for the production of the seal. However, this seal can still be damaged, if dirt is blown from the pipe system into the valve.

It is recommended that safety relief valves exhaust into the open air with a U-pipe filled with oil on the discharge branch, to prevent dirt from penetrating into the valve. It is also recommended that the valves be installed in pairs in conjunction with the double stop valve type DSV 1 or 2. For further information please see the technical leaflet for DSV.

*Re-calibration/servicing*

In certain countries the authorities demand that the valves are checked at least once a year (see local rules).

*Control/Identification*

After adjustment of the set pressure at Danfoss, the valves are sealed. For that reason Danfoss can only guarantee correct operation, as long as the seal remains unbroken.

All valves are provided with a metal plate with the following information:

- Flow diameter
- Set pressure
- Date of production
- Production number
- Type approved code.

*Transport/Handling*

The valves are fitted with special protection covers and packed into purpose made transportation cartons.

It is important that the cover remains fitted around the valve until it is installed.

*To ensure the exact and precise operation of the valve it must be handled with care.*

Safety valve	Double stop valve		Max. pressure
	CE marked	Not CE marked	
SFA 15 and SFA 15-50	DSV 1		40 bar (580 psi)
	DSV 2		40 bar (580 psi)
		DSV 15	25 bar (363 psi)

**Capacity**

The design and construction of the safety relief valve has been tested and approved by TÜV. This test comprises control of the function of the valve as well as measuring of the capacity, which is the basis of the curves and tables on the following pages. The values in the table are based on saturated gas.

If e.g. back pressure or superheated gas have to be taken into consideration, the formulas or the Danfoss computation program (Coolselector2™) can be used.

*Table 1.*

Valve	Nominal size		Flow diameter d <sub>o</sub>	Flow area A <sub>0</sub>	De-rated, certified coefficient of discharge K <sub>dr</sub>	Effective discharge area A <sub>0</sub> × K <sub>dr</sub>
	Inlet	Outlet				
SFA 15	15 mm	20 mm	13 mm	133 mm <sup>2</sup>	0.73	97 mm <sup>2</sup>
	½ in.	¾ in.	0.512 in.	0.206 in <sup>2</sup>		0.150 in <sup>2</sup>
SFA 15-50	15 mm	20 mm	13 mm	133 mm <sup>2</sup>	0.39	52 mm <sup>2</sup>
	½ in.	¾ in.	0.512 in.	0.206 in <sup>2</sup>		0.080 in <sup>2</sup>

The discharge capacity of the safety relief valves are based on (ISO 4126-1 / EN 1313 6).

$$q_m = 0.2883 \times C \times A_0 \times K_{dr} \times K_b \sqrt{v}$$

q<sub>m</sub> Discharge capacity (kg/h).

C Discharge function depending of the actual refrigerant (κ) see table 2 (-).

A<sub>0</sub> Flow area of the safety relief valve (mm<sup>2</sup>).

K<sub>dr</sub> De-rated coefficient of discharge (K<sub>dr</sub> = K<sub>d</sub> × 0.9), (the K<sub>dr</sub> is certified by TÜV) see table 1 (-).

K<sub>b</sub> Correction factor for sub-critical flow (-).

K<sub>b</sub> = 1.0 when the back pressure is lower than approx. 0.5 × relieving pressure (P<sub>b</sub> < 0.5 × p).

For all SFV safety valves K<sub>b</sub> = 1.0

v Specific volume of the vapour at the relieving pressure p. (m<sup>3</sup>/kg).

p<sub>set</sub> Set pressure, the predetermined pressure at which a pressure relief valve under operation starts to open (p<sub>set</sub> is indicated on the metal plate on the safety relief valve).  
(bar gauge)

p<sub>atm</sub> Atmospheric pressure (1 bar).

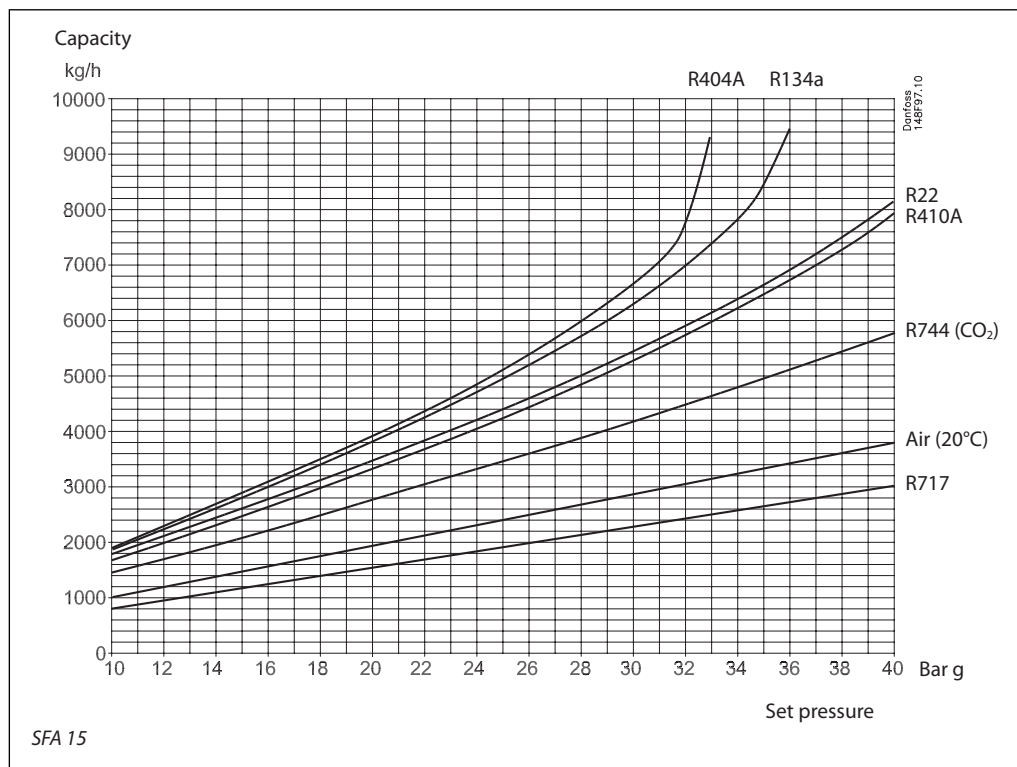
p Relieving pressure, p = p<sub>set</sub> × 1.1 + P<sub>atm</sub> (bar absolute).

For further details see the above-mentioned ISO or EN standards.

*Table 2. Properties of refrigerants*

Refrigerant	Isentropic exponent κ	Discharge function C
R22	1.17	2.54
R134a	1.12	2.50
R404A	1.12	2.49
R410A	1.17	2.54
R717 (Ammonia)	1.31	2.64
R744 (CO <sub>2</sub> )	1.30	2.63
Air	1.40	2.70

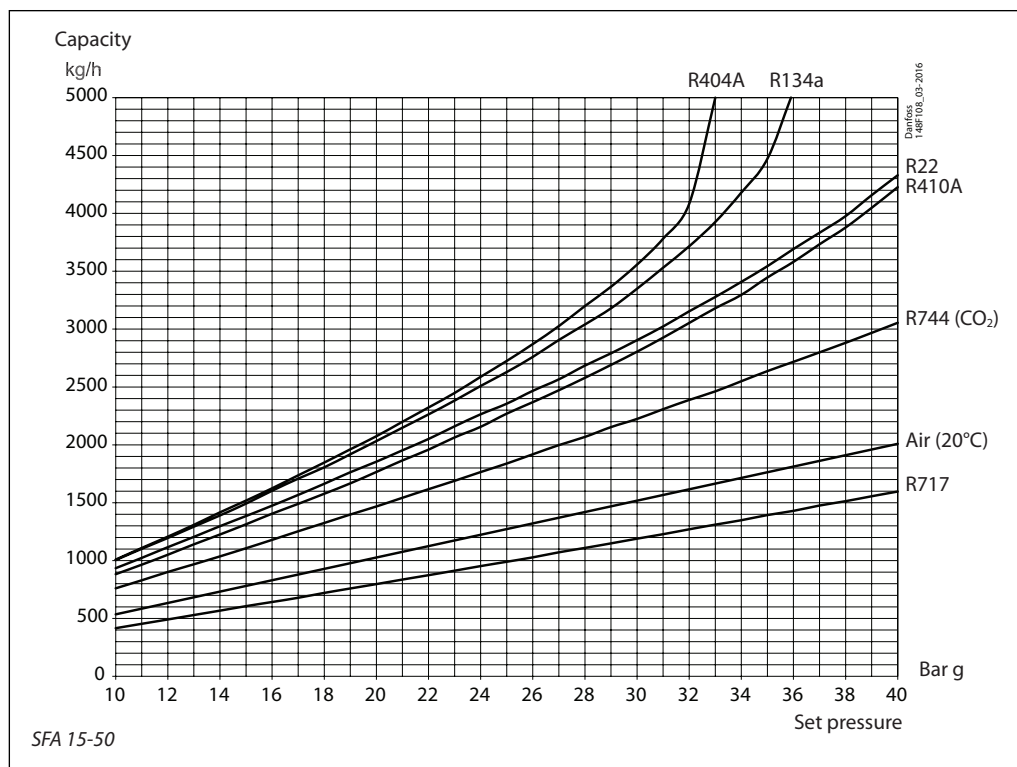
Capacity



Capacity

Set pressure	qm	R22	R134a	R404A	R410A	R717	R744 (CO <sub>2</sub> )	Air (20°C)
SFA 15								
10 bar g	kg/h	1749	1881	1888	1652	779	1424	1003
145 psi g	lb/min	64	69	69	61	29	52	37
15 bar g	kg/h	2592	2793	2842	2459	1135	2072	1462
218 psi g	lb/min	95	103	104	90	42	76	54
20 bar g	kg/h	3471	3804	3883	3305	1492	2747	1922
290 psi g	lb/min	128	140	143	121	55	101	71
25 bar g	kg/h	4409	4921	5101	4248	1853	3441	2381
363 psi g	lb/min	162	181	187	156	68	126	87
30 bar g	kg/h	5437	6269	6659	5250	2227	4163	2841
435 psi g	lb/min	200	230	245	193	82	153	104
35 bar g	kg/h	6633	8370		6450	2608	4936	3301
508 psi g	lb/min	244	308		237	96	181	121
40 bar g	kg/h	8104			7911	2989	5718	3760
580 psi g	lb/min	298			291	110	210	138

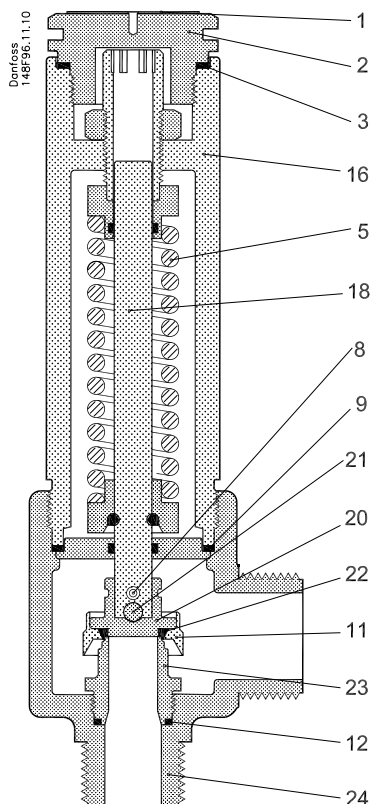
Capacity



Capacity

Set pressure	qm	R22	R134a	R404A	R410A	R717	R744 (CO <sub>2</sub> )	Air (20°C)
SFA 15-50								
10 bar g	kg/h	935	1005	1009	883	416	761	536
145 psi g	lb/min	34	37	37	32	15	28	20
15 bar g	kg/h	1385	1492	1519	1314	607	1107	781
218 psi g	lb/min	51	55	56	48	22	41	29
20 bar g	kg/h	1854	2033	2075	1766	797	1468	1027
290 psi g	lb/min	68	75	76	65	29	54	38
25 bar g	kg/h	2356	2629	2725	2270	990	1838	1272
363 psi g	lb/min	87	97	100	83	36	68	47
30 bar g	kg/h	2905	3349	3557	2805	1190	2224	1518
435 psi g	lb/min	107	123	131	103	44	82	56
35 bar g	kg/h	3544	4472		3446	1393	2637	1763
508 psi g	lb/min	130	164		127	51	97	65
40 bar g	kg/h	4329			4226	1597	3055	2009
580 psi g	lb/min	159			155	59	112	74

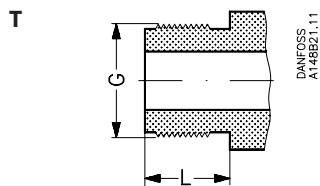
Material specification



No.	Part	Material	DIN	ISO	ASTM
1	Marking label	Stainless steel			
2	Threaded plug	Steel			
3	Packing washer	Aluminium (Non-asbestos gasket)			
5	Spring	Steel	Class C, DIN17223		
8	Split	Steel	94 ELFORZ		
9	Packing washer	Aluminium (Non-asbestos gasket)			
11	Retainer	Stainless steel	X8CrNiS 18 9		AISI 303, A276
12	Packing washer	Aluminium (Non-asbestos gasket)			
16	Valve top	Steel	G20Mn5QT Alt. S235JRG2 Alt. S355J2G3	Fe360BFN Fe510D1	LCC, A352 A284C A572-50
18	Valve spindle	Stainless steel	X5CrNi 18 10		AISI 304, A276
20	Valve cone	Stainless steel	X8CrNiS 18 9		AISI 303, A276
21	Steel ball	Steel			
22	Valve cone seal	Cloroprene (Neoprene)			
23	Valve seat	Stainless steel	X8CrNiS 18 9		AISI 303, A276
24	Valve housing	Steel	G20Mn5QT Alt. P285QH		LCC, A352 LF2, A350

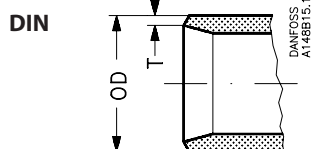
## Data sheet | Safety relief valves, type SFA 15 and SFA 15-50

### Connections



Size mm	Size in.	Inlet	Outlet			L mm	L in.	
15	½	G ¾	G 1			15	0.59	

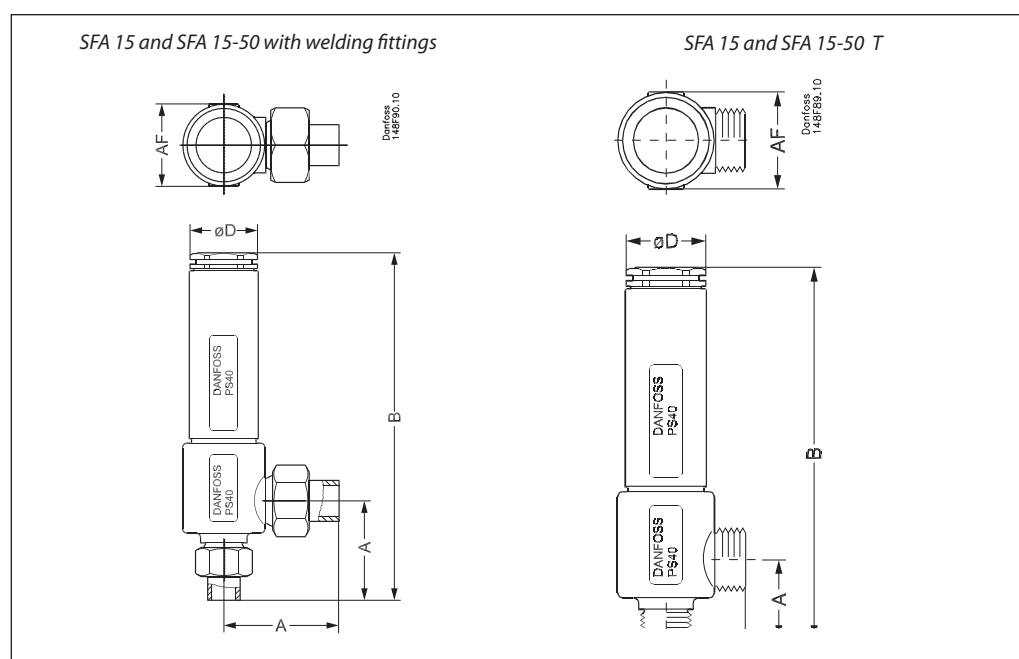
*T outside pipe thread, (ISO 228/1)*



Size mm	Size in.	Inlet (mm)		Inlet (in.)		Outlet (mm)		Outlet (in.)	
		OD	T	OD	T	OD	T	OD	T
15	½	21.3	2.3	0.839	0.091	26.9	2.3	1.059	0.091

*Welding fittings, DIN (2448)*

### Dimensions and weights



Valve size		A	B	ØD	AF	Weight
<i>SFA 15 T, with threaded connections ISO 228/1 pipe threads</i>						
SFA 15 and SFA 15-50 T (½ in.)	mm in.	45 1.77	210 8.27	45 1.81	55 2.17	2.2 kg 4.9 lbs
<i>SFA with welding fittings, DIN 2448</i>						
SFA 15 and SFA 15-50 (½ in.)	mm in.	83 3.27	248 9.76	45 1.81	55 2.17	2.5 kg 5.5 lbs

Specified weights are approximate values only.

**Ordering**

*Certified SFA valves with standard set pressure*

Size		Type	Set pressure bar g (psi g)	Code number
mm	in.			
15	½	SFA 15 T 210	10 (145)	<b>148F3210</b>
15	½	SFA 15 T 211	11 (160)	<b>148F3211</b>
15	½	SFA 15 T 212	12 (174)	<b>148F3212</b>
15	½	SFA 15 T 213	13 (189)	<b>148F3213</b>
15	½	SFA 15 T 214	14 (203)	<b>148F3214</b>
15	½	SFA 15 T 215	15 (218)	<b>148F3215</b>
15	½	SFA 15 T 216	16 (232)	<b>148F3216</b>
15	½	SFA 15 T 217	17 (247)	<b>148F3217</b>
15	½	SFA 15 T 218	18 (261)	<b>148F3218</b>
15	½	SFA 15 T 219	19 (276)	<b>148F3219</b>
15	½	SFA 15 T 220	20 (290)	<b>148F3220</b>
15	½	SFA 15 T 221	21 (305)	<b>148F3221</b>
15	½	SFA 15 T 222	22 (319)	<b>148F3222</b>
15	½	SFA 15 T 223	23 (334)	<b>148F3223</b>
15	½	SFA 15 T 224	24 (348)	<b>148F3224</b>
15	½	SFA 15 T 225	25 (363)	<b>148F3225</b>
15	½	SFA 15 T 226	26 (377)	<b>148F3226</b>
15	½	SFA 15 T 227	27 (392)	<b>148F3227</b>
15	½	SFA 15 T 228	28 (406)	<b>148F3228</b>
15	½	SFA 15 T 229	29 (421)	<b>148F3229</b>
15	½	SFA 15 T 230	30 (435)	<b>148F3230</b>
15	½	SFA 15 T 231	31 (450)	<b>148F3231</b>
15	½	SFA 15 T 232	32 (464)	<b>148F3232</b>
15	½	SFA 15 T 233	33 (479)	<b>148F3233</b>
15	½	SFA 15 T 234	34 (493)	<b>148F3234</b>
15	½	SFA 15 T 235	35 (508)	<b>148F3235</b>
15	½	SFA 15 T 236	36 (522)	<b>148F3236</b>
15	½	SFA 15 T 237	37 (537)	<b>148F3237</b>
15	½	SFA 15 T 238	38 (551)	<b>148F3238</b>
15	½	SFA 15 T 239	39 (566)	<b>148F3239</b>
15	½	SFA 15 T 240	40 (580)	<b>148F3240</b>

*Certified SFA valves with standard set pressure and TÜV pressure setting certificate with each valve*

Size		Type	Set pressure bar g (psi g)	Code number
mm	in.			
15	½	SFA 15 T 310	10 (145)	<b>148F3310</b>
15	½	SFA 15 T 311	11 (160)	<b>148F3311</b>
15	½	SFA 15 T 312	12 (174)	<b>148F3312</b>
15	½	SFA 15 T 313	13 (189)	<b>148F3313</b>
15	½	SFA 15 T 314	14 (203)	<b>148F3314</b>
15	½	SFA 15 T 315	15 (218)	<b>148F3315</b>
15	½	SFA 15 T 316	16 (232)	<b>148F3316</b>
15	½	SFA 15 T 317	17 (247)	<b>148F3317</b>
15	½	SFA 15 T 318	18 (261)	<b>148F3318</b>
15	½	SFA 15 T 319	19 (276)	<b>148F3319</b>
15	½	SFA 15 T 320	20 (290)	<b>148F3320</b>
15	½	SFA 15 T 321	21 (305)	<b>148F3321</b>
15	½	SFA 15 T 322	22 (319)	<b>148F3322</b>
15	½	SFA 15 T 323	23 (334)	<b>148F3323</b>
15	½	SFA 15 T 324	24 (348)	<b>148F3324</b>
15	½	SFA 15 T 325	25 (363)	<b>148F3325</b>
15	½	SFA 15 T 326	26 (377)	<b>148F3326</b>
15	½	SFA 15 T 327	27 (392)	<b>148F3327</b>
15	½	SFA 15 T 328	28 (406)	<b>148F3328</b>
15	½	SFA 15 T 329	29 (421)	<b>148F3329</b>
15	½	SFA 15 T 330	30 (435)	<b>148F3330</b>
15	½	SFA 15 T 331	31 (450)	<b>148F3331</b>
15	½	SFA 15 T 332	32 (464)	<b>148F3332</b>
15	½	SFA 15 T 333	33 (479)	<b>148F3333</b>
15	½	SFA 15 T 334	34 (493)	<b>148F3334</b>
15	½	SFA 15 T 335	35 (508)	<b>148F3335</b>
15	½	SFA 15 T 336	36 (522)	<b>148F3336</b>
15	½	SFA 15 T 337	37 (537)	<b>148F3337</b>
15	½	SFA 15 T 338	38 (551)	<b>148F3338</b>
15	½	SFA 15 T 339	39 (566)	<b>148F3339</b>
15	½	SFA 15 T 340	40 (580)	<b>148F3340</b>

*Certified SFA valves with standard set pressure*

Size		Type	Set pressure bar g (psi g)	Code number
mm	in.			
15	½	SFA 15-50 T 210	10 (145)	<b>148F4000</b>
15	½	SFA 15-50 T 211	11 (160)	<b>148F4001</b>
15	½	SFA 15-50 T 212	12 (174)	<b>148F4002</b>
15	½	SFA 15-50 T 213	13 (189)	<b>148F4003</b>
15	½	SFA 15-50 T 214	14 (203)	<b>148F4004</b>
15	½	SFA 15-50 T 215	15 (218)	<b>148F4005</b>
15	½	SFA 15-50 T 216	16 (232)	<b>148F4006</b>
15	½	SFA 15-50 T 217	17 (247)	<b>148F4007</b>
15	½	SFA 15-50 T 218	18 (261)	<b>148F4008</b>
15	½	SFA 15-50 T 219	19 (276)	<b>148F4009</b>
15	½	SFA 15-50 T 220	20 (290)	<b>148F4010</b>
15	½	SFA 15-50 T 221	21 (305)	<b>148F4011</b>
15	½	SFA 15-50 T 222	22 (319)	<b>148F4012</b>
15	½	SFA 15-50 T 223	23 (334)	<b>148F4013</b>
15	½	SFA 15-50 T 224	24 (348)	<b>148F4014</b>
15	½	SFA 15-50 T 225	25 (363)	<b>148F4015</b>
15	½	SFA 15-50 T 226	26 (377)	<b>148F4016</b>
15	½	SFA 15-50 T 227	27 (392)	<b>148F4017</b>
15	½	SFA 15-50 T 228	28 (406)	<b>148F4018</b>
15	½	SFA 15-50 T 229	29 (421)	<b>148F4019</b>
15	½	SFA 15-50 T 230	30 (435)	<b>148F4020</b>
15	½	SFA 15-50 T 231	31 (450)	<b>148F4021</b>
15	½	SFA 15-50 T 232	32 (464)	<b>148F4022</b>
15	½	SFA 15-50 T 233	33 (479)	<b>148F4023</b>
15	½	SFA 15-50 T 234	34 (493)	<b>148F4024</b>
15	½	SFA 15-50 T 235	35 (508)	<b>148F4025</b>
15	½	SFA 15-50 T 236	36 (522)	<b>148F4026</b>
15	½	SFA 15-50 T 237	37 (537)	<b>148F4027</b>
15	½	SFA 15-50 T 238	38 (551)	<b>148F4028</b>
15	½	SFA 15-50 T 239	39 (566)	<b>148F4029</b>
15	½	SFA 15-50 T 240	40 (580)	<b>148F4030</b>

*Certified SFA valves with standard set pressure and TÜV pressure setting certificate with each valve*

Size		Type	Set pressure bar g (psi g)	Code number
mm	in.			
15	½	SFA 15-50 T 310	10 (145)	<b>148F4100</b>
15	½	SFA 15-50 T 311	11 (160)	<b>148F4101</b>
15	½	SFA 15-50 T 312	12 (174)	<b>148F4102</b>
15	½	SFA 15-50 T 313	13 (189)	<b>148F4103</b>
15	½	SFA 15-50 T 314	14 (203)	<b>148F4104</b>
15	½	SFA 15-50 T 315	15 (218)	<b>148F4105</b>
15	½	SFA 15-50 T 316	16 (232)	<b>148F4106</b>
15	½	SFA 15-50 T 317	17 (247)	<b>148F4107</b>
15	½	SFA 15-50 T 318	18 (261)	<b>148F4108</b>
15	½	SFA 15-50 T 319	19 (276)	<b>148F4109</b>
15	½	SFA 15-50 T 320	20 (290)	<b>148F4110</b>
15	½	SFA 15-50 T 321	21 (305)	<b>148F4111</b>
15	½	SFA 15-50 T 322	22 (319)	<b>148F4112</b>
15	½	SFA 15-50 T 323	23 (334)	<b>148F4113</b>
15	½	SFA 15-50 T 324	24 (348)	<b>148F4114</b>
15	½	SFA 15-50 T 325	25 (363)	<b>148F4115</b>
15	½	SFA 15-50 T 326	26 (377)	<b>148F4116</b>
15	½	SFA 15-50 T 327	27 (392)	<b>148F4117</b>
15	½	SFA 15-50 T 328	28 (406)	<b>148F4118</b>
15	½	SFA 15-50 T 329	29 (421)	<b>148F4119</b>
15	½	SFA 15-50 T 330	30 (435)	<b>148F4120</b>
15	½	SFA 15-50 T 331	31 (450)	<b>148F4121</b>
15	½	SFA 15-50 T 332	32 (464)	<b>148F4122</b>
5	½	SFA 15-50 T 333	33 (479)	<b>148F4123</b>
15	½	SFA 15-50 T 334	34 (493)	<b>148F4124</b>
15	½	SFA 15-50 T 335	35 (508)	<b>148F4125</b>
15	½	SFA 15-50 T 336	36 (522)	<b>148F4126</b>
15	½	SFA 15-50 T 337	37 (537)	<b>148F4127</b>
15	½	SFA 15-50 T 338	38 (551)	<b>148F4128</b>
15	½	SFA 15-50 T 339	39 (566)	<b>148F4129</b>
15	½	SFA 15-50 T 340	40 (580)	<b>148F4130</b>



**Ordering**

*Repair kit*

Type	Code number
Repair kit SFA 15	<b>148F3036</b>
Repair kit SFA 15-50	<b>148F3150</b>

*Nipples and gaskets*

Type	Code number
Nipples + gaskets set for SFV 15/SFA 15 and SFA 15-50	<b>148F3019</b>

ENGINEERING  
TOMORROW

