

Data sheet

# Solenoid valves

## Type EVU for fluorinated refrigerants



EVU solenoid valves are designed to fit into compact refrigeration systems. Available in direct and pilot operated versions, they can be applied in liquid, suction, and hot gas lines with fluorinated refrigerants.

EVU solenoid valves can be used in many different refrigeration systems and are specially designed for:

- commercial refrigeration systems
- refrigeration appliances
- liquid coolers
- ice cube machines
- mobile refrigeration systems
- heat pump systems
- air conditioning units

EVU valves are available in straightway or angleway design. All valves are semi hermetically sealed and are not serviceable. The standard coil is available with 3-core cable connection, DIN plug and 0.25 US spade.

EVU valve bodies and coils are ordered separately in industrial pack.

### Features

- Compact construction small dimensions, low weight for both valve and coil.
- Semi-hermetic construction. Metallic sealing between armature tube and valve body. Bimetal connections to the brass housing Benefits:
  - high strength of joints and high vibration resistance
  - maximum external tightness within the whole temperature and pressure operation range
- Bimetal connections simple, fast soldering without the need of wet cloth or refrigeration pliers.
- Direct and servo operated mini piston compact solenoid valve.
- Universal application for
  - liquid, suction, and hot gas applications
  - reduced power consumption
- Simple and fast mounting of coil
  - clip-on/off
- Small encapsulated coils with long life time under extreme conditions.
- Refrigerants: R744, R22/R407C, R404A/R507, R410A, R134a, R407A, R23. For other refrigerants, please contact Danfoss.
- Large MOPD range – up to 36 bar.

**Data sheet | Product name, Solenoid valve, type EVU for fluorinated refrigerants**
**Approvals**

- UL Recognized Component (Canadian and US)
- PED (97/23/EC A3.P3)
- Low Voltage Directive (LVD) 2006/95/EC


**Technical data**

**Refrigerants**  
R744, R22/R407C, R404A/R507, R410A, R134a,  
R407A, R23.  
For other refrigerants, please contact Danfoss.

**Temperature of medium**  
-40 – 221 °F

**Ambient temperature**  
-40 – 140 °F

**MOPD operating range**  
EVU 1: 0 psi up to 275 psi  
EVU 2 – 8: 0.029 psi up to 522 psi

**Humidity**  
0 – 100% R.H. (0-97% R.H. non-condensation  
condition if IP level is below IPX5).

Type	Opening differential pressure with standard coil $\Delta p$ [psi]		Temperature of medium [°F]	Max. working pressure $P_s$ [psi]	$C_v$ – value <sup>1)</sup> [gal/min]
	Min.	Max. (=MOPD) liquid <sup>2)</sup>			
			8 W AC		
EVU 1	0.000	348 <sup>3)</sup>	-40 – 221	1015	0.11
EVU 2	0.029	522	-40 – 221	1015	0.23
EVU 3	0.029	522	-40 – 221	1015	0.35
EVU 4	0.029	522	-40 – 221	1015	0.58
EVU 5	0.029	522	-40 – 221	1015	0.76
EVU 6	0.029	522	-40 – 221	1015	0.93
EVU 8	0.029	522	-40 – 221	1015	1.15

<sup>1)</sup>  $C_v$  value is the water flow in [gal/min] at a pressure drop across valve  $\Delta p = 1$  psi,  $\rho = 10$  lbs/gal

<sup>2)</sup> MOPD for media in gas form is approximately 14 psi greater

<sup>3)</sup> For coil 208 – 240V, 60 Hz, MOPD is 250 psi

MOPD (Max. Opening Pressure Differential) is measured with highest media and ambient temperature and 15% below nominal voltage

<sup>1)</sup> Rated liquid and suction vapor capacity are based on:

- Evaporating temperature  $t_e = 40$  °F
- Liquid temperature ahead of valve  $t_l = 100$  °F
- Pressure drop  $\Delta p$  across valve  
– with liquid  $\Delta p = 2$  psi for R134a,  
 $\Delta p = 3$  psi for R22/R407C, R404A and R507,  
– with suction vapor  $\Delta p = 1$  psi

Rated hot gas capacity is based on:

- Condensing temperature  $t_c = 100$  °F
- Hot gas temperature  $t_h = 140$  °F
- Pressure drop across valve  $\Delta p = 2$  psi

Type	Rated capacity <sup>1)</sup> / [TR]											
	Liquid				Suction vapour				Hot gas			
	R22/R407C	R134a	R404A/R507	R410A	R22/R407C	R134a	R404A/R507	R410A	R22/R407C	R134a	R404A/R507	R410A
EVU 1	0.64	0.48	0.44	0.64	0.55	0.04	0.05	0.06	0.12	0.10	0.10	0.18
EVU 2	1.27	0.96	0.87	1.27	0.11	0.08	0.09	0.13	0.24	0.19	0.19	0.36
EVU 3	1.90	1.45	1.31	1.90	0.16	0.12	0.14	0.19	0.35	0.29	0.28	0.53
EVU 4	3.19	2.41	2.18	3.17	0.26	0.20	0.23	0.32	0.59	0.48	0.47	0.89
EVU 5	4.12	3.13	2.83	4.12	0.34	0.26	0.30	0.42	0.76	0.62	0.61	1.16
EVU 6	5.07	3.86	3.49	5.07	0.42	0.32	0.37	0.51	0.94	0.77	0.76	1.42
EVU 8	6.34	4.83	4.36	6.34	0.53	0.40	0.46	0.64	1.18	0.96	0.95	1.78

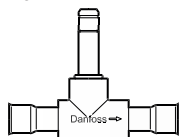
**Metric conversions**

- 1 psi = 0.07 bar
- $^{\circ}/_9 (t_1 \text{ °F} - 32) = 12 \text{ °C}$
- 1 TR = 3.5 Kw
- 1 in = 25.4 mm
- 1 ft = 0.3 m
- 1 lb = 0.454 kg
- 1 oz = 28.35 gram
- US gal/min = 0.86 m<sup>3</sup>/h

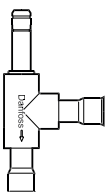
**Ordering valve**

*Normally closed NC*

EVU 1– 6



EVU 8

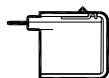


Type	Connection		Code no.
	[in.]	[mm]	
EVU 1	1/4	—	032F7005
	—	6	032F7004
EVU 2	—	6	032F5053
EVU 3	1/4	—	032F5024
	—	6	032F5025
	3/8	—	032F5026
EVU 4	—	10	032F5027
	—	10	032F5037
EVU 5	3/8	—	032F7000
	—	10	032F7001
	—	12	032F7003
EVU 6	3/8	—	032F5046
	—	10	032F5047
	1/2	—	032F5049
EVU 8	—	12	032F5048
EVU 8	—	12	032F8009

The valve code numbers on above are with coil sealing O-ring. This should be removed for US-coils with the external frame.

**Ordering Coils**

*Alternating current AC*



0,25 in.  
US spade

Type	Voltage [V]	Frequency [Hz]	Power consumption	Code no.	Code no.
				Industrial pack 40-off with US spade IP00	Single pack with US spade IP00
EVU 1, EVU 2, EVU 3, EVU 4, EVU 5, EVU 6, EVU 8	208 – 240	50 / 60	Holding: 8 W 16 VA Inrush: 32 VA	042N8230	042N4230
	110 – 120	50 / 60		042N8233	042N4233
	24	50 / 60		042N8236	042N4236

**Accessories**

Part	Description	Code no.
	Bracket for fixing of valve. Industrial pack	032F8036

**Data sheet | Product name, Solenoid valve, type EVU for fluorinated refrigerants**
**Capacity  
Liquid capacity**

Type	Liquid capacity Q <sub>o</sub> [TR] at pressure drop across valve Δp [bar]						
	1	2	3	4	5	6	7
<b>R22/R407C</b>							
EVU 1	0.34	0.52	0.64	0.73	0.82	0.85	0.97
EVU 2	0.68	1.03	1.27	1.46	1.63	1.79	1.93
EVU 3	1.02	1.55	1.90	2.19	2.45	2.69	2.90
EVU 4	1.69	2.59	3.17	3.66	4.09	4.48	4.84
EVU 5	2.20	3.36	4.12	4.75	5.31	5.83	6.29
EVU 6	2.71	4.14	5.07	5.85	6.54	7.17	7.74
EVU 8	3.39	5.18	6.34	7.31	8.18	8.96	9.68
<b>R134A</b>							
EVU 1	0.34	0.48	0.59	0.68	0.76	0.84	0.90
EVU 2	0.68	0.96	1.18	1.36	1.52	1.67	1.80
EVU 3	1.02	1.45	1.77	2.05	2.29	2.51	2.71
EVU 4	1.71	2.41	2.59	3.41	3.81	4.18	4.84
EVU 5	2.22	3.13	3.84	4.43	4.96	5.43	5.86
EVU 6	2.73	3.86	4.73	5.45	6.10	6.68	7.22
EVU 8	3.41	4.83	5.91	6.81	7.63	8.35	9.03
<b>R404A/507</b>							
EVU 1	0.25	0.36	0.44	0.51	0.57	0.62	0.67
EVU 2	0.50	0.71	0.87	1.01	1.13	1.23	1.33
EVU 3	0.76	1.07	1.31	1.51	1.69	1.85	2.00
EVU 4	1.26	1.78	2.18	2.52	2.81	3.09	3.33
EVU 5	1.64	2.31	2.83	3.27	3.66	4.01	4.33
EVU 6	2.02	2.85	3.49	4.03	4.50	4.94	5.33
EVU 8	2.53	3.56	4.36	5.04	5.63	6.18	6.66
<b>R410a</b>							
EVU 1	0.34	0.52	0.64	0.73	0.82	0.90	0.97
EVU 2	0.68	1.03	1.27	1.46	1.63	1.79	1.93
EVU 3	1.02	1.55	1.90	2.19	2.44	2.69	2.90
EVU 4	1.69	2.59	3.17	3.66	4.07	4.48	4.84
EVU 5	2.20	3.36	4.12	4.75	5.29	5.83	6.29
EVU 6	2.71	4.14	5.07	5.85	6.51	7.17	7.74
EVU 8	3.39	5.18	6.34	7.31	8.14	8.96	9.68

Capacities are based on:

- liquid temperature  
t<sub>l</sub> = 100 °F
- evaporating temperature  
t<sub>e</sub> = 40 °F
- superheat temperature  
(t<sub>e</sub> + 10 °F) = 50 °F

Metric conversions

- 1 psi = 0.07 bar
- $\frac{5}{9} (t_1 \text{ °F} - 32) = t_2 \text{ °C}$
- 1 TR = 3.5 kW

**Correction factors**

When liquid temperature t<sub>l</sub> ahead of the expansion valve is other than 100°F, adjust the table capacities by multiplying them by the appropriate correction factor found in the following table.

Correction factors for liquid temperature t<sub>l</sub>

t <sub>l</sub> [°F]	80	90	100	110	120
Factor	1.10	1.05	1.00	0.95	0.90

**Capacity  
Suction vapour capacity**

Type	Pressure drop $\Delta p$ [psi]	Suction vapour capacity $Q_e$ [TR] at evaporating temperature $t_e$ [°F]							
		-40	-20	0	10	20	30	40	50
<b>R22/R407C</b>									
EVU 1	1.00	0.02	0.03	0.04	0.04	0.05	0.05	0.06	0.08
	2.00	0.03	0.04	0.05	0.06	0.06	0.07	0.08	0.08
	3.00	0.03	0.05	0.06	0.07	0.07	0.08	0.09	0.10
EVU 2	1.00	0.04	0.05	0.07	0.08	0.09	0.09	0.11	0.12
	2.00	0.05	0.07	0.09	0.11	0.12	0.13	0.15	0.16
	3.00	0.06	0.09	0.11	0.13	0.14	0.16	0.18	0.20
EVU 3	1.00	0.06	0.08	0.10	0.12	0.13	0.14	0.16	0.17
	2.00	0.08	0.11	0.14	0.16	0.18	0.20	0.22	0.25
	3.00	0.09	0.13	0.17	0.19	0.22	0.25	0.27	0.30
EVU 4	1.00	0.10	0.14	0.17	0.19	0.21	0.24	0.26	0.29
	2.00	0.13	0.18	0.23	0.27	0.30	0.34	0.37	0.41
	3.00	0.16	0.22	0.28	0.32	0.36	0.41	0.45	0.50
EVU 5	1.00	0.13	0.18	0.22	0.25	0.28	0.31	0.34	0.37
	2.00	0.17	0.24	0.30	0.35	0.39	0.44	0.48	0.53
	3.00	0.20	0.28	0.37	0.41	0.47	0.54	0.59	0.65
EVU 6	1.00	0.16	0.22	0.27	0.31	0.34	0.38	0.42	0.46
	2.00	0.21	0.29	0.37	0.44	0.48	0.54	0.59	0.65
	3.00	0.25	0.35	0.45	0.51	0.57	0.66	0.73	0.80
EVU 8	1.00	0.20	0.28	0.34	0.39	0.43	0.48	0.53	0.58
	2.00	0.26	0.36	0.46	0.55	0.60	0.68	0.74	0.81
	3.00	0.31	0.44	0.56	0.64	0.71	0.83	0.91	1.00

The table values refer to evaporator capacity and are given as a function of evaporating temperature  $t_e$  and pressure drop  $\Delta p$  across the valve. Capacities are based on liquid temperature  $t_l = 100$  °F ahead of the expansion valve and superheat  $t_s = 7$  °F. For each additional 10 °F of superheat, the table capacities must be reduced by 2%.

*Metric conversions*  
 1 psi = 0.07 bar  
 $\frac{5}{9}(t_1 \text{ °F} - 32) = t_2 \text{ °C}$   
 1 TR = 3.5 kW

**Correction factors**

When liquid temperature  $t_l$  ahead of the expansion valve is other than 100 °F, adjust the table capacities by multiplying them by the appropriate correction factor found in the following table.

**Correction factors for liquid temperature  $t_l$** 

$t_l$ [°F]	80	90	100	110	120
Factor	1.10	1.05	1.00	0.95	0.90

**Capacity**  
**Suction vapour capacity**  
*(continued)*

Type	Pressure drop $\Delta p$ [psi]	Suction vapour capacity $Q_e$ [TR] at evaporating temperature $t_e$ [°F]							
		-40	-20	0	10	20	30	40	50
<b>R134a</b>									
EVU 1	1.00	0.01	0.02	0.03	0.03	0.03	0.04	0.04	0.05
	2.00	0.02	0.03	0.04	0.04	0.05	0.05	0.06	0.07
	3.00	0.02	0.03	0.04	0.05	0.05	0.06	0.07	0.08
EVU 2	1.00	0.02	0.03	0.05	0.06	0.06	0.07	0.08	0.09
	2.00	0.03	0.05	0.07	0.08	0.09	0.10	0.11	0.13
	3.00	0.03	0.05	0.08	0.09	0.10	0.12	0.13	0.16
EVU 3	1.00	0.04	0.05	0.07	0.08	0.10	0.11	0.12	0.14
	2.00	0.05	0.07	0.10	0.11	0.13	0.15	0.17	0.19
	3.00	0.05	0.08	0.12	0.14	0.16	0.18	0.20	0.23
EVU 4	1.00	0.06	0.09	0.12	0.14	0.16	0.18	0.20	0.23
	2.00	0.08	0.12	0.16	0.19	0.22	0.25	0.29	0.32
	3.00	0.09	0.13	0.19	0.23	0.26	0.30	0.34	0.39
EVU 5	1.00	0.08	0.11	0.16	0.18	0.21	0.23	0.26	0.29
	2.00	0.10	0.15	0.21	0.24	0.28	0.33	0.37	0.42
	3.00	0.11	0.17	0.25	0.29	0.34	0.39	0.44	0.51
EVU 6	1.00	0.10	0.14	0.20	0.22	0.25	0.29	0.32	0.36
	2.00	0.13	0.19	0.26	0.30	0.35	0.41	0.46	0.51
	3.00	0.14	0.21	0.31	0.36	0.41	0.48	0.54	0.63
EVU 8	1.00	0.13	0.18	0.25	0.28	0.31	0.36	0.40	0.45
	2.00	0.16	0.24	0.33	0.38	0.44	0.51	0.58	0.64
	3.00	0.18	0.26	0.39	0.45	0.51	0.60	0.68	0.79

The table values refer to evaporator capacity and are given as a function of evaporating temperature  $t_e$  and pressure drop  $\Delta p$  across the valve.

Capacities are based on liquid temperature  $t_l = 100$  °F ahead of the expansion valve and superheat  $t_s = 7$  °F. For each additional 10 °F of superheat, the table capacities must be reduced by 2%.

**Metric conversions**

1 psi = 0.07 bar  
 $\frac{5}{9}(t_1 \text{ °F} - 32) = t_2 \text{ °C}$   
 1 TR = 3.5 kW

**Correction factors**

When liquid temperature  $t_l$  ahead of the expansion valve is other than 100 °F, adjust the table capacities by multiplying them by the appropriate correction factor found in the following table.

**Correction factors for liquid temperature  $t_l$** 

$t_l$ [°F]	80	90	100	110	120
Factor	1.10	1.05	1.00	0.95	0.90

**Data sheet | Product name, Solenoid valve, type EVU for fluorinated refrigerants**
**Capacity  
Suction vapour capacity**  
*(continued)*

Type	Pressure drop $\Delta p$ [psi]	Suction vapour capacity $Q_e$ [TR] at evaporating temperature $t_e$ [°F]							
		-40	-20	0	10	20	30	40	50
<b>R404A/507</b>									
EVU 1	1.00	0.02	0.02	0.03	0.04	0.04	0.04	0.05	0.05
	2.00	0.02	0.03	0.04	0.05	0.05	0.06	0.07	0.08
	3.00	0.03	0.04	0.05	0.06	0.07	0.07	0.08	0.09
EVU 2	1.00	0.03	0.04	0.06	0.07	0.07	0.08	0.09	0.10
	2.00	0.04	0.06	0.08	0.09	0.10	0.12	0.13	0.15
	3.00	0.05	0.07	0.10	0.11	0.13	0.14	0.16	0.18
EVU 3	1.00	0.05	0.07	0.09	0.10	0.11	0.12	0.14	0.16
	2.00	0.06	0.09	0.12	0.14	0.16	0.18	0.20	0.22
	3.00	0.08	0.11	0.14	0.16	0.19	0.22	0.24	0.27
EVU 4	1.00	0.08	0.11	0.14	0.17	0.18	0.21	0.23	0.26
	2.00	0.11	0.15	0.20	0.23	0.26	0.29	0.33	0.37
	3.00	0.13	0.18	0.24	0.27	0.32	0.36	0.40	0.45
EVU 5	1.00	0.10	0.14	0.19	0.22	0.24	0.27	0.30	0.34
	2.00	0.14	0.19	0.27	0.30	0.34	0.38	0.43	0.48
	3.00	0.16	0.23	0.31	0.36	0.41	0.47	0.52	0.58
EVU 6	1.00	0.13	0.17	0.23	0.27	0.29	0.33	0.37	0.41
	2.00	0.17	0.24	0.33	0.37	0.42	0.47	0.52	0.59
	3.00	0.20	0.28	0.38	0.44	0.51	0.58	0.64	0.72
EVU 8	1.00	0.16	0.21	0.29	0.34	0.36	0.41	0.46	0.51
	2.00	0.21	0.30	0.41	0.46	0.53	0.59	0.65	0.74
	3.00	0.25	0.35	0.48	0.55	0.64	0.73	0.80	0.90

The table values refer to evaporator capacity and are given as a function of evaporating temperature  $t_e$  and pressure drop  $\Delta p$  across the valve.  
Capacities are based on liquid temperature  $t_l = 100$  °F ahead of the expansion valve and superheat  $t_s = 7$  °F.  
For each additional 10 °F of superheat, the table capacities must be reduced by 2%.

*Metric conversions*  
1 psi = 0.07 bar  
 $\frac{5}{9}(t_1 \text{ °F} - 32) = t_2 \text{ °C}$   
1 TR = 3.5 kW

**Correction factors**

When liquid temperature  $t_l$  ahead of the expansion valve is other than 100 °F, adjust the table capacities by multiplying them by the appropriate correction factor found in the following table.

**Correction factors for liquid temperature  $t_l$** 

$t_l$ [°F]	80	90	100	110	120
Factor	1.10	1.05	1.00	0.95	0.90

**Data sheet | Product name, Solenoid valve, type EVU for fluorinated refrigerants**
**Capacity**  
**Suction vapour capacity**  
*(continued)*

Type	Pressure drop $\Delta p$ [psi]	Suction vapour capacity $Q_e$ [TR] at evaporating temperature $t_e$ [°F]							
		-40	-20	0	10	20	30	40	50
<b>R410A</b>									
EVU 1	1.00	0,03	0,04	0,05	0,05	0,06	0,06	0,07	0,08
	2.00	0,04	0,05	0,06	0,07	0,08	0,09	0,10	0,11
	3.00	0,05	0,06	0,08	0,08	0,10	0,11	0,12	0,13
EVU 2	1.00	0,05	0,07	0,09	0,10	0,11	0,12	0,13	0,15
	2.00	0,07	0,10	0,12	0,14	0,16	0,17	0,19	0,21
	3.00	0,09	0,12	0,15	0,16	0,19	0,21	0,23	0,25
EVU 3	1.00	0,08	0,11	0,13	0,15	0,17	0,18	0,19	0,22
	2.00	0,11	0,15	0,18	0,21	0,23	0,26	0,28	0,31
	3.00	0,13	0,17	0,22	0,25	0,28	0,31	0,34	0,38
EVU 4	1.00	0,14	0,18	0,22	0,25	0,28	0,30	0,32	0,36
	2.00	0,18	0,24	0,31	0,35	0,39	0,43	0,47	0,52
	3.00	0,22	0,29	0,37	0,41	0,47	0,52	0,56	0,63
EVU 5	1.00	0,18	0,23	0,29	0,32	0,36	0,39	0,42	0,47
	2.00	0,24	0,31	0,40	0,46	0,51	0,55	0,60	0,67
	3.00	0,29	0,38	0,48	0,54	0,60	0,68	0,73	0,82
EVU 6	1.00	0,22	0,29	0,36	0,40	0,45	0,48	0,51	0,58
	2.00	0,30	0,39	0,49	0,56	0,62	0,68	0,74	0,82
	3.00	0,35	0,46	0,59	0,66	0,74	0,84	0,90	1,01
EVU 8	1.00	0,28	0,36	0,45	0,50	0,56	0,60	0,64	0,73
	2.00	0,38	0,49	0,61	0,70	0,78	0,85	0,93	1,03
	3.00	0,44	0,58	0,74	0,83	0,93	1,05	1,13	1,26

The table values refer to evaporator capacity and are given as a function of evaporating temperature  $t_e$  and pressure drop  $\Delta p$  across the valve. Capacities are based on liquid temperature  $t_l = 100$  °F ahead of the expansion valve and superheat  $t_s = 7$  °F. For each additional 10 °F of superheat, the table capacities must be reduced by 2%.

*Metric conversions*  
 1 psi = 0.07 bar  
 $\frac{5}{9} (t_1 \text{ °F} - 32) = t_2 \text{ °C}$   
 1 TR = 3.5 kW

**Correction factors**

When liquid temperature  $t_l$  ahead of the expansion valve is other than 100 °F, adjust the table capacities by multiplying them by the appropriate correction factor found in the following table.

**Correction factors for liquid temperature  $t_l$** 

$t_l$ [°F]	80	90	100	110	120
Factor	1.10	1.05	1.00	0.95	0.90



**Capacity  
Hot gas capacity**

Type	Pressure drop across valve $\Delta p$ [psi]	Hot gas capacity $Q_h$ [TR]											
		Evaporating temp. $t_e = 40$ °F, hot gas temp. $t_h = t_c + 40$ °F, subcooling $\Delta t_u = 10$ °F											
		Condensing temp. $t_c$ [°F]											
		R22/R407C			R134a			R404A/R 507			R410A		
		70	100	140	70	100	140	70	100	140	70	100	140
EVU 1	2	0,11	0,12	0,13	0,09	0,10	0,10	0,09	0,10	0,09	0,17	0,18	0,17
	5	0,17	0,19	0,20	0,14	0,16	0,16	0,15	0,15	0,15	0,27	0,29	0,27
	10	0,24	0,27	0,29	0,19	0,22	0,23	0,20	0,22	0,21	0,36	0,38	0,38
	15	0,29	0,32	0,36	0,24	0,26	0,29	0,25	0,26	0,26	0,45	0,48	0,48
	20	0,33	0,37	0,40	0,28	0,31	0,32	0,28	0,30	0,29	0,52	0,55	0,54
	25	0,37	0,41	0,44	0,31	0,34	0,36	0,32	0,33	0,32	0,58	0,62	0,60
EVU 2	2	0,21	0,24	0,25	0,17	0,19	0,20	0,18	0,19	0,18	0,34	0,36	0,34
	5	0,34	0,38	0,40	0,28	0,31	0,32	0,29	0,30	0,29	0,54	0,57	0,54
	10	0,47	0,54	0,57	0,38	0,43	0,46	0,40	0,43	0,42	0,72	0,76	0,75
	15	0,57	0,63	0,71	0,47	0,52	0,57	0,49	0,51	0,51	0,90	0,96	0,96
	20	0,66	0,73	0,79	0,55	0,61	0,64	0,56	0,59	0,57	1,03	1,10	1,07
	25	0,73	0,82	0,88	0,61	0,68	0,72	0,63	0,66	0,64	1,16	1,23	1,19
EVU 3	2	0,32	0,35	0,38	0,26	0,29	0,30	0,27	0,28	0,27	0,50	0,53	0,51
	5	0,51	0,56	0,60	0,42	0,46	0,48	0,43	0,45	0,44	0,81	0,85	0,81
	10	0,71	0,81	0,86	0,58	0,64	0,69	0,60	0,65	0,62	1,08	1,14	1,12
	15	0,86	0,95	1,06	0,71	0,79	0,85	0,73	0,77	0,77	1,36	1,44	1,44
	20	0,99	1,10	1,19	0,82	0,91	0,96	0,84	0,88	0,86	1,55	1,64	1,61
	25	1,10	1,22	1,32	0,92	1,02	1,08	0,95	0,99	0,96	1,74	1,85	1,79
EVU 4	2	0,53	0,59	0,63	0,44	0,48	0,50	0,45	0,47	0,46	0,84	0,89	0,85
	5	0,85	0,94	1,00	0,70	0,77	0,80	0,72	0,75	0,73	1,35	1,42	1,36
	10	1,18	1,35	1,43	0,96	1,07	1,15	1,00	1,08	1,04	1,80	1,91	1,87
	15	1,43	1,59	1,77	1,18	1,31	1,42	1,22	1,28	1,28	2,26	2,40	2,39
	20	1,64	1,83	1,98	1,37	1,52	1,60	1,41	1,47	1,43	2,58	2,74	2,69
	25	1,83	2,04	2,21	1,53	1,70	1,80	1,58	1,65	1,60	2,89	3,08	2,98

The table values refer to hot gas capacity and are given as a function of condensing temperature  $t_c$  and pressure drop  $\Delta p$  across the valve. Capacities are based on a hot gas temperature superheated 40 °F above condensing temperature ( $t_h = t_c + 40$  °F). For each additional 10 °F of superheat above 40 °F, the table capacities must be reduced by 1%.

Metric conversions  
 1 psi = 0.07 bar  
 $\frac{5}{9}(t_1 \text{ °F} - 32) = t_2 \text{ °C}$   
 1 TR = 3.5 kW

**Correction factors**

When the valve is used in a hot gas defrost circuit, evaporator temperature affects the capacity. When the evaporator temperature differs from 40 °F, adjust the table capacities by multiplying them by the appropriate correction factor found in the following table.

**Correction factors for  $t_h$  and  $t_e$** 

$t_1$ [°F]	-40	-20	0	20	40	50
Factor	1.18	1.14	1.09	1.04	1	0.97

**Capacity  
Hot gas capacity**

Type	Pressure drop across valve $\Delta p$ [psi]	Hot gas capacity $Q_h$ [TR]											
		Evaporating temp. $t_e = 40$ °F, hot gas temp. $t_h = t_c + 40$ °F, subcooling $\Delta t_u = 10$ °F											
		Condensing temp. $t_c$ [°F]											
		R22/R407C			R134a			R404A/R 507			R410A		
		70	100	140	70	100	140	70	100	140	70	100	140
EVU 5	2	0.69	0.76	0.82	0.57	0.62	0.65	0.59	0.61	0.59	1.09	1.16	1.11
	5	1.11	1.22	1.31	0.91	1.00	1.04	0.94	0.98	0.94	1.75	1.84	1.76
	10	1.53	1.75	1.86	1.25	1.39	1.49	1.29	1.41	1.35	2.35	2.48	2.44
	15	1.86	2.06	2.30	1.53	1.70	1.85	1.59	1.66	1.67	2.94	3.12	3.11
	20	2.14	2.38	2.57	1.78	1.97	2.08	1.83	1.91	1.86	3.35	3.56	3.49
	25	2.38	2.65	2.87	1.99	2.21	2.34	2.06	2.15	2.08	3.76	4.01	3.88
EVU 6	2	0.85	0.94	1.01	0.70	0.77	0.80	0.72	0.76	0.73	1.35	1.42	1.37
	5	1.36	1.50	1.61	1.12	1.23	1.28	1.16	1.21	1.16	2.16	2.27	2.17
	10	1.88	2.15	2.29	1.54	1.71	1.84	1.59	1.73	1.66	2.89	3.05	3.00
	15	2.29	2.54	2.84	1.89	2.10	2.28	1.96	2.04	2.05	3.62	3.83	3.83
	20	2.63	2.93	3.16	2.19	2.43	2.56	2.25	2.35	2.29	4.12	4.38	4.30
	25	2.93	3.27	3.53	2.45	2.72	2.88	2.53	2.65	2.56	4.63	4.93	4.77
EVU 8	2	1.06	1.18	1.26	0.88	0.96	1.00	0.90	0.95	0.91	1.69	1.78	1.71
	5	1.70	1.88	2.01	1.40	1.54	1.60	1.45	1.51	1.45	2.70	2.84	2.71
	10	2.35	2.69	2.86	1.93	2.14	2.30	1.99	2.16	2.08	3.61	3.81	3.75
	15	2.86	3.18	3.55	2.36	2.63	2.85	2.45	2.55	2.56	4.53	4.79	4.79
	20	3.29	3.66	3.95	2.74	3.04	3.20	2.81	2.94	2.86	5.15	5.48	5.38
	25	3.66	4.09	4.41	3.06	3.40	3.60	3.16	3.68	3.20	5.79	6.16	5.96

The table values refer to hot gas capacity and are given as a function of condensing temperature  $t_c$  and pressure drop  $\Delta p$  across the valve. Capacities are based on a hot gas temperature superheated 40 °F above condensing temperature ( $t_h = t_c + 40$  °F). For each additional 10 °F of superheat above 40 °F, the table capacities must be reduced by 1%.

**Metric conversions**

1 psi = 0.07 bar  
 $\frac{5}{9} (t_1 \text{ °F} - 32) = t_2 \text{ °C}$   
 1 TR = 3.5 kW

*Correction factors*

When the valve is used in a hot gas defrost circuit, evaporator temperature affects the capacity. When the evaporator temperature differs from 40 °F, adjust the table capacities by multiplying them by the appropriate correction factor found in the following table.

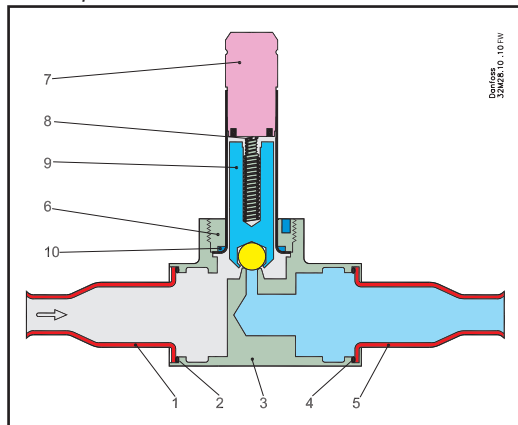
*Correction factors for  $t_h$  and  $t_e$*

$t_1$ [°F]	-40	-20	0	20	40	50
Factor	1.18	1.14	1.09	1.04	1	0.97

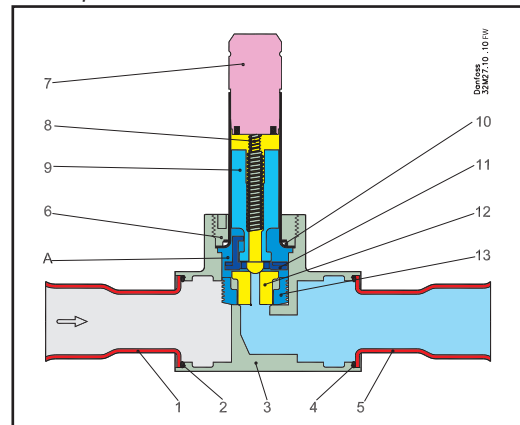
**Design / Function**

1. Solder connection
5. Solder connection
2. Solder ring
4. Solder ring
3. Valve housing
6. Union nut
7. Armature tube
8. Return spring
9. Armature
10. Support ring
11. Pilot plate (servo)
12. Seat plate (servo)
13. Piston (servo)

*Direct operated*



*Servo operated*



*Direct operated*

EVU 1 is direct operated. The valve opens directly for full flow when the armature (9) moves up into the magnetic field of the coil.

This means that the valve can operate a 0 bar differential pressure. Thus, inlet pressure and spring force act to close the valve when the coil is currentless.

*Servo operated*

EVU 2 - 8 are servo operated piston solenoid valves. The servo piston principle results in a fast operating and compact valve that is able to open against a high differential pressure. The valve closes rather soft, because the pilot system does not fully close before the main orifice has closed. This minimizes liquid hammer.

When the coil is currentless, the main orifice, seat plate (12) and pilot orifice (on the pilot plate (11)) are closed. The pilot orifice and main orifice are held closed by the armature spring force and the differential pressure between inlet and outlet sides.

When current is applied to the coil, the armature (9) is drawn up into the magnetic field and thus lifts the pilot plate (11) and opens for the pilot orifice so that the de-energising of the servo chamber (A) starts and the pressure is relieved to the level of the outlet side. As the inlet pressure that acts on the bottom of the piston (13) now is higher than the pressure in the servo chamber (A), the piston is moved upwards and lifts both the pilot plate (11) and the seat plate (12). When the seat plate is lifted, the main orifice opens for full flow.

Therefore a minimum differential pressure of 0.02 bar is necessary to open the valve and keep it open.

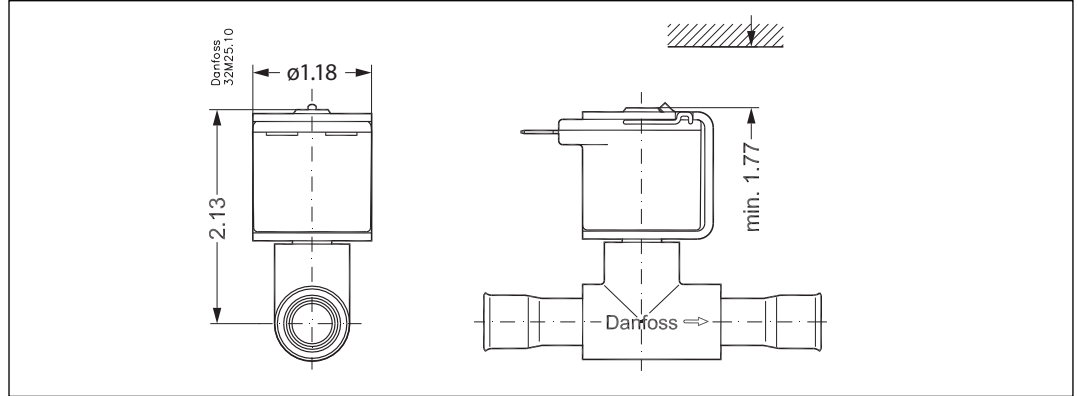
When the current to the coil is switched off, the spring (8) forces the armature (9) down towards the pilot plate (11). The pressure in the servo chamber (A) increases and the piston will no longer be able to hold the seat plate (12) in lifted position, by which the main orifice closes. The armature (9) continues its downwards movement until the pilot orifice on the pilot plate (11) is fully closed.

**Material specifications**

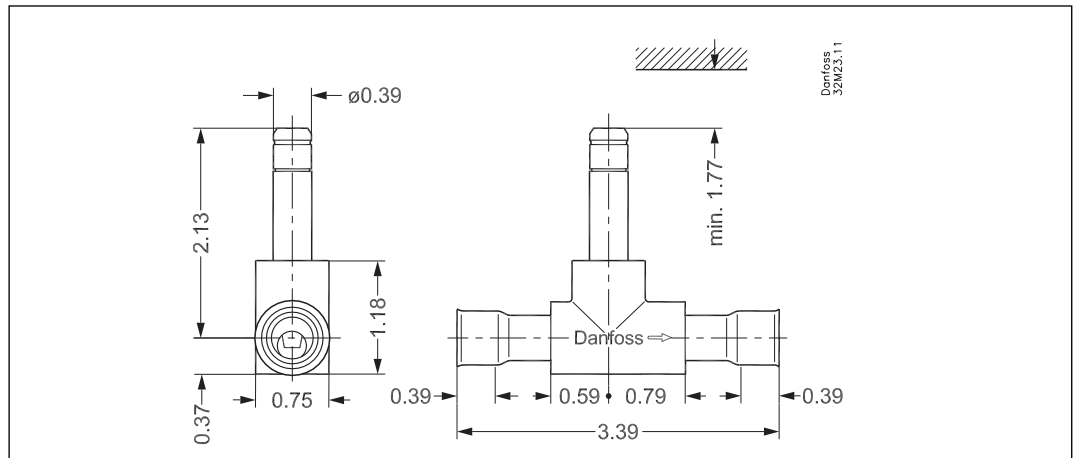
No.	Description	Material	Alloys	Mat. no.	Standard		
					W.no.	DIN	EN
1,5	<b>Bi-metallic tube</b>	Stainless steel/Cu	—	—	—	—	—
2,4	<b>Solder ring</b>	Silver	L-Ag 15P	CP102	—	1044	1044
3	<b>Valve body</b>	Brass	CuZn40Pb2	CW617N	2.0402	17672-1	12165
6	<b>Union nut</b>	Brass	CuZn39Pb2	CW612N	2.0380	17672-1	12164
7	<b>Armature tube</b>	Stainless steel	X6CrMoS17	—	1.4105	—	10088
8	<b>Spring</b>	Spring wire stainless	X10CrNi18-8	—	1.4310	—	10088
9	<b>Armature</b>	Stainless steel	X4CrMoS18	—	1.4105IL	—	10088
10	<b>Support ring</b>	Teflon	PTFE	—	—	—	—
11	<b>Pilot plate</b>	Thermoplast	PEEK	—	—	—	—
12	<b>Seat plate</b>	Teflon	PTFE	—	—	—	—
13	<b>Piston</b>	Brass	CuZn39Pb2	CW612N	2.0380	17672-1	12164

**Dimensions [in.]  
and weights [lbs]**

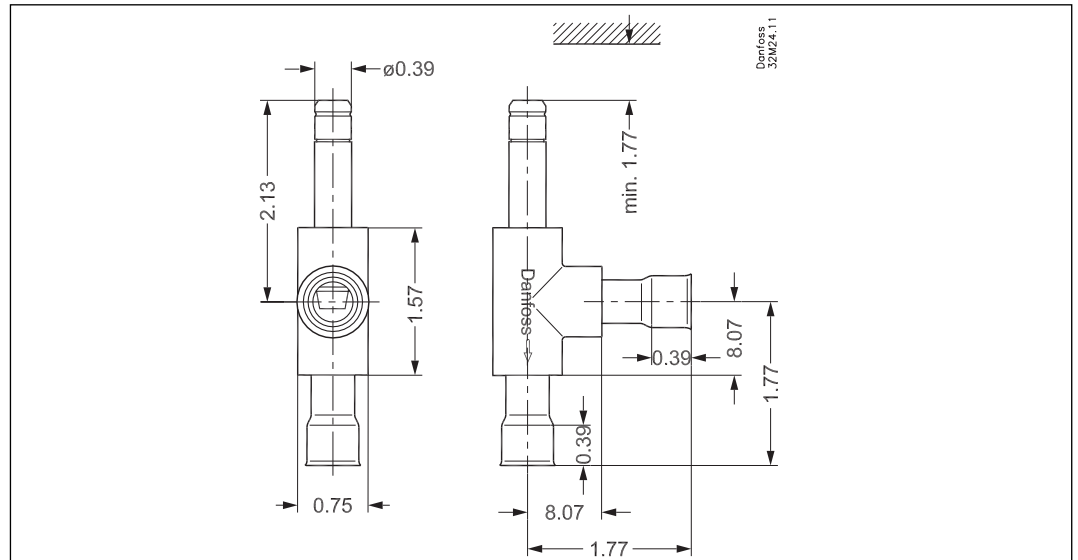
*EVU 1, EVU 2, EVU 3, EVU 4, EVU 5, EVU 6 mounted with coil with 0.25 in. US spade*



*EVU 1, EVU 2, EVU 3, EVU 4, EVU 5, EVU 6*



*EVU 8*



Net weight of coil:  
8 W: approx. 0.22 lbs  
Net weight of valve:  
approx 0.22 lbs

**Note:**  
The drawings are only representative.

Danfoss shall not be responsible for any errors in catalogs, brochures, or other printed material. Danfoss reserves the right to alter its products at any time without notice, provided that alterations to products already on order shall not require material changes in specifications previously agreed upon by Danfoss and the Purchaser. All trademarks in this material are property of the respective companies. Danfoss and the Danfoss logotype are trademarks of Danfoss A/S. All rights reserved.