

ENGINEERING
TOMORROW

Danfoss

Mobile Application | TurboTool® App

Designed for **technicians.** Fit for **OEMs.**

The new version of the **Danfoss TurboTool® 2.0** app for all your full service Danfoss Turbocor® compressor needs.

24/7

Access to all things
Danfoss Turbocor®



Scan to
download



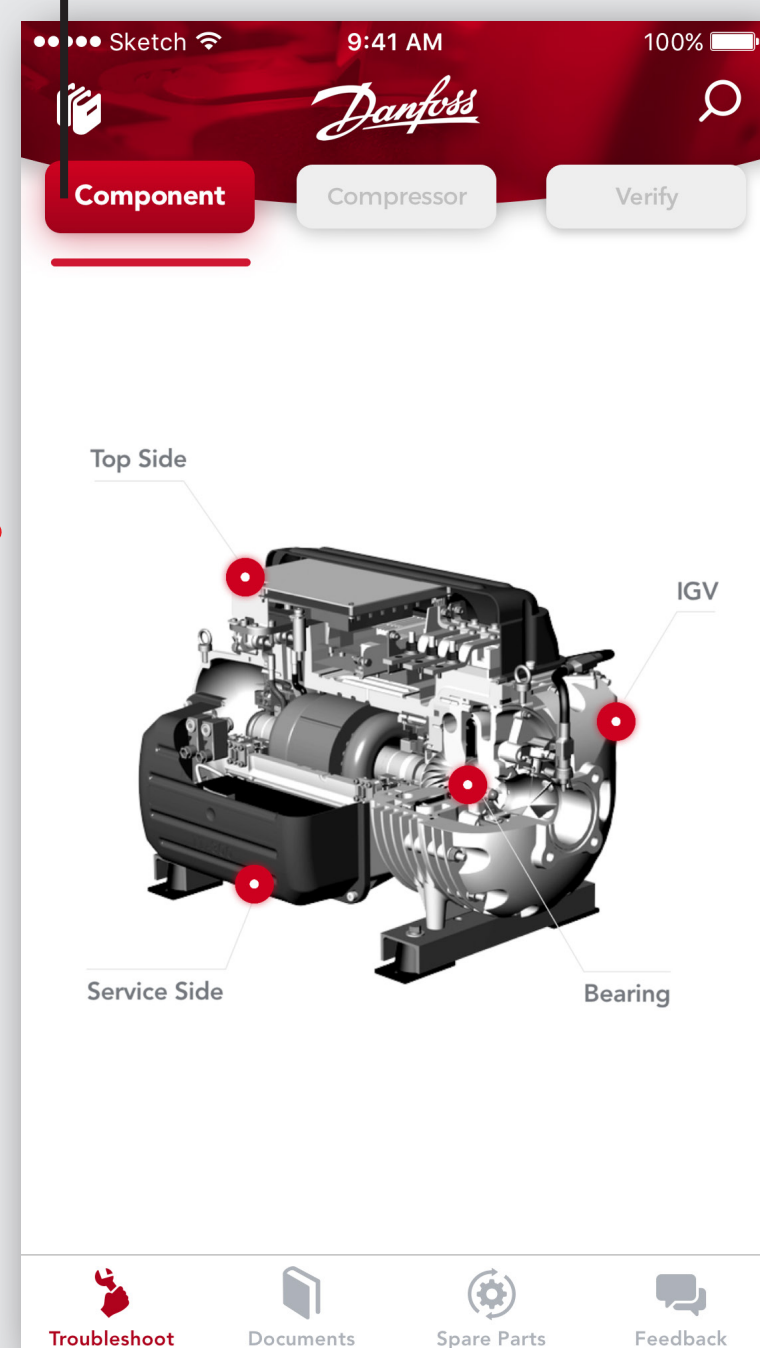
Quick access to Danfoss Turboacor® compressor troubleshooting.

The new version of the **Danfoss TurboTool® 2.0** app for all your full service Danfoss Turboacor® compressor needs.

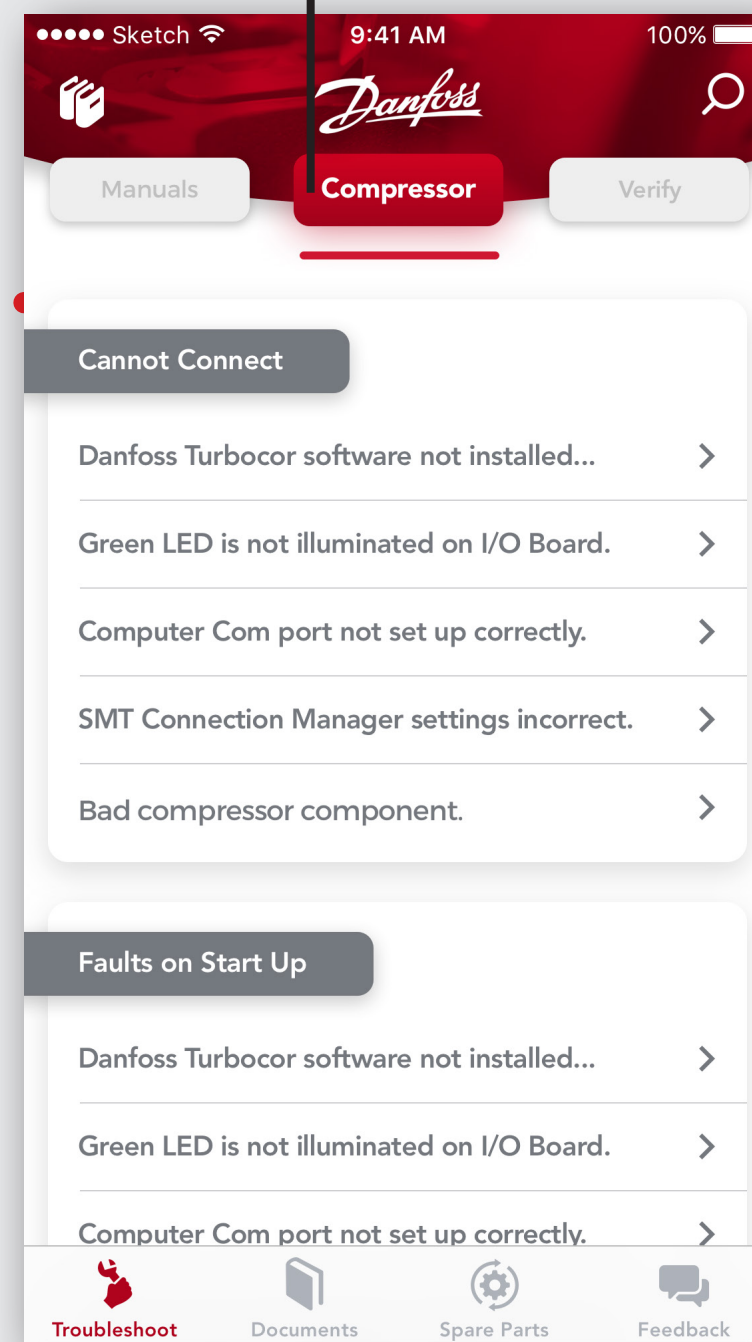
24/7
Access to Danfoss Turboacor® compressor troubleshooting on site



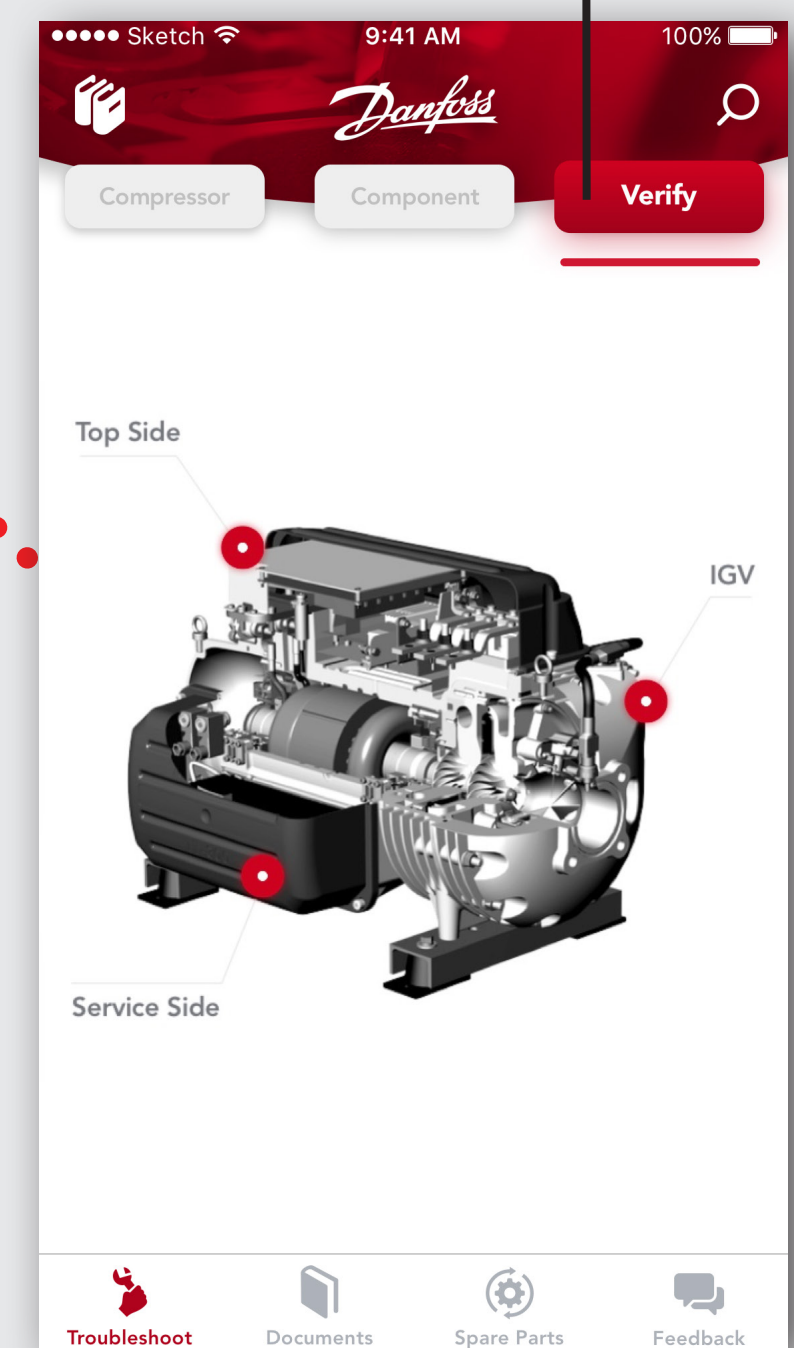
The TurboTool® app makes it easy for technicians to troubleshoot issues on Danfoss Turboacor® compressors.



The user can select from a list of symptoms in the app that match the problems exhibited by the compressor being serviced. The app will then list potential causes, solutions to the problem, and service literature for reference for further information.

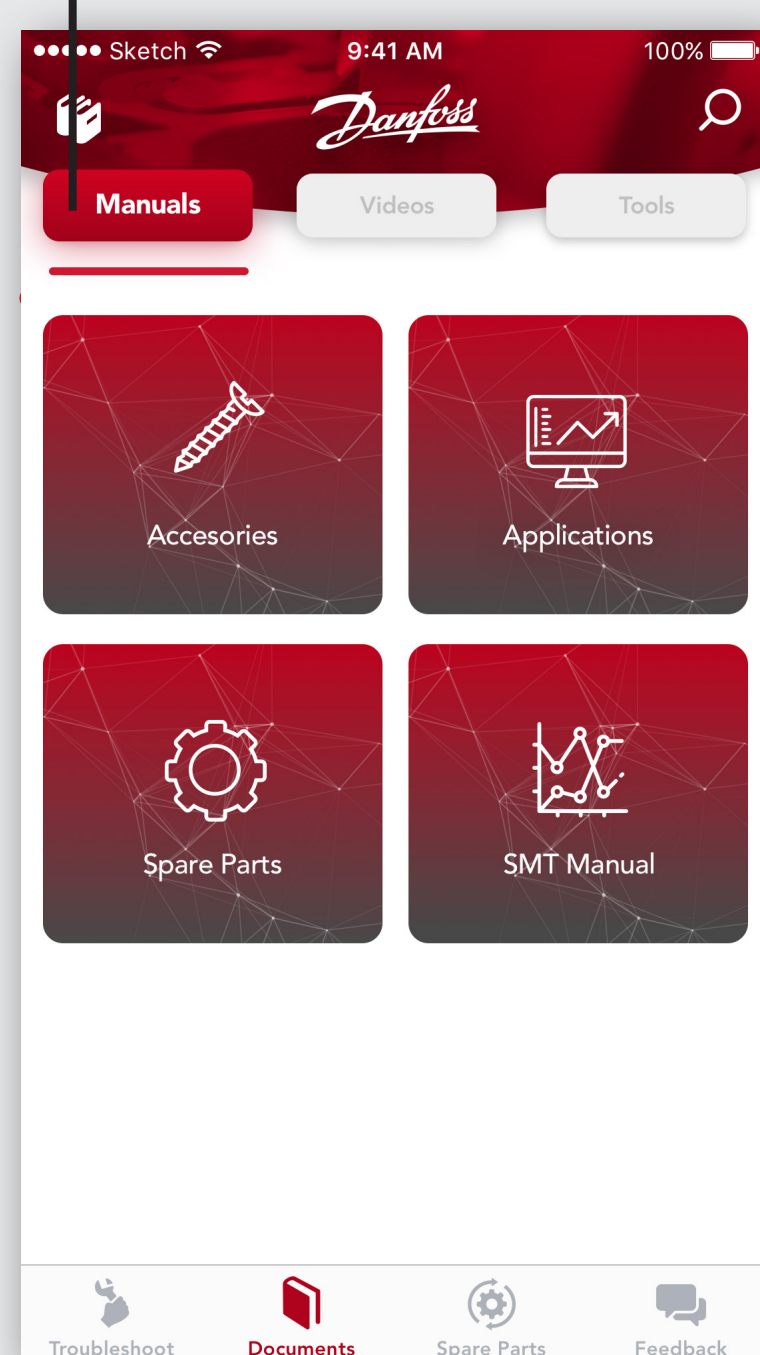


The app provides the correct operating parameters for key components: no need to keep reference documents on hand.

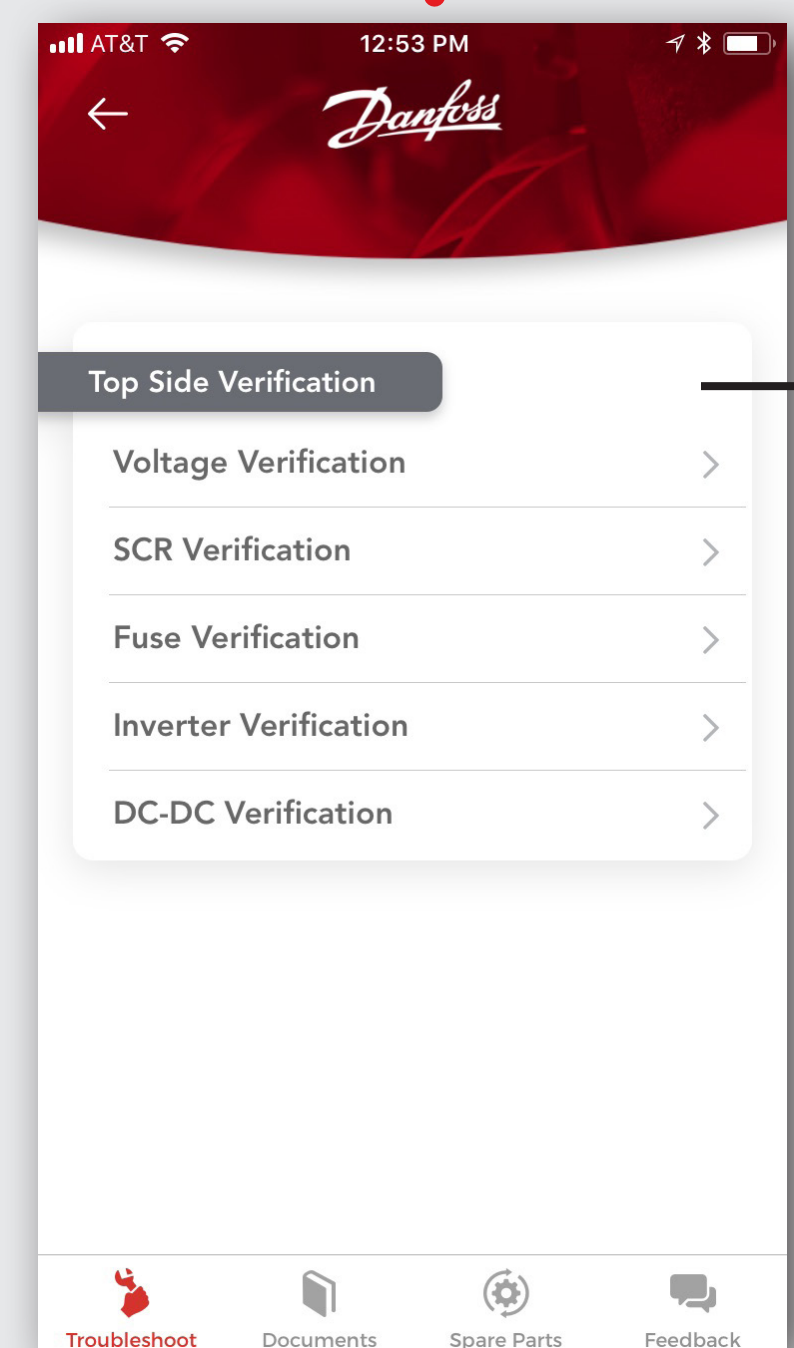
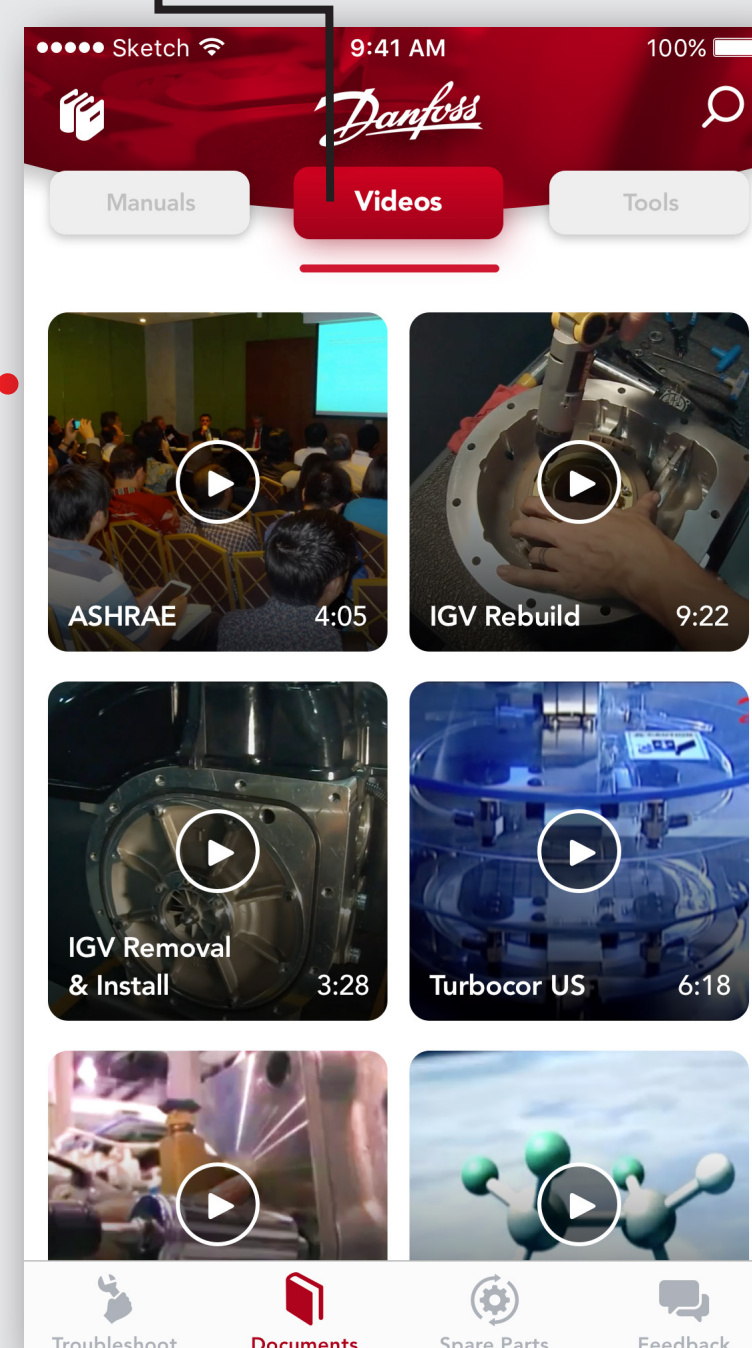


Troubleshoot

You no longer need to keep hundreds of pages of parts catalogs and training manuals. With the app, all of this information is at your fingertips on your smart device.

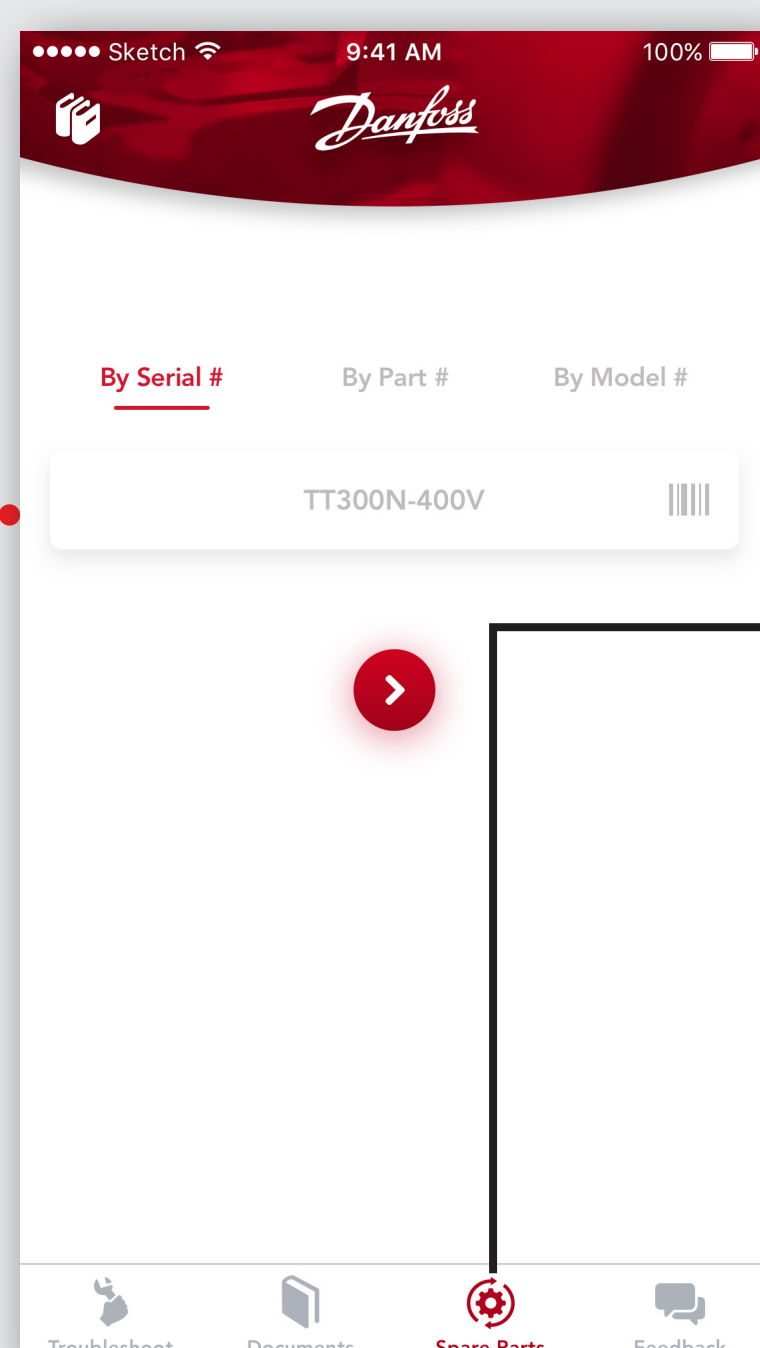


With the app, you can access videos made by Danfoss Turboacor® that demonstrate how to remove, install, and rebuild key components on Danfoss Turboacor® compressors.



Documents

Spare Parts



TurboTool® helps you to quickly identify the required spare parts. A quick scan of the compressor serial # using your smartphone camera or by entering the part # or model #, and the app will display potential spare parts kits.

Download the 2.0 app today!



Scan to download app

