

- NOTICE -
 THIS DOCUMENT CONTAINS PROPRIETARY INFORMATION OF DANFOSS DRIVES. IT IS LOANED BY DANFOSS DRIVES SUBJECT TO THE CONDITIONS THAT IT AND THE INFORMATION EMBODIED THEREIN SHALL BE USED ONLY FOR RECORD AND REFERENCE PURPOSES. SHALL NOT BE USED OR CAUSED TO BE USED IN ANY WAY PREJUDICIAL TO THE INTERESTS OF DANFOSS DRIVES. SHALL NOT BE REPRODUCED OR COPIED IN WHOLE OR IN PART OR DISCLOSED TO ANYONE WITHOUT THE DIRECT WRITTEN PERMISSION OF DANFOSS DRIVES, AND SHALL BE RETURNED UPON REQUEST.

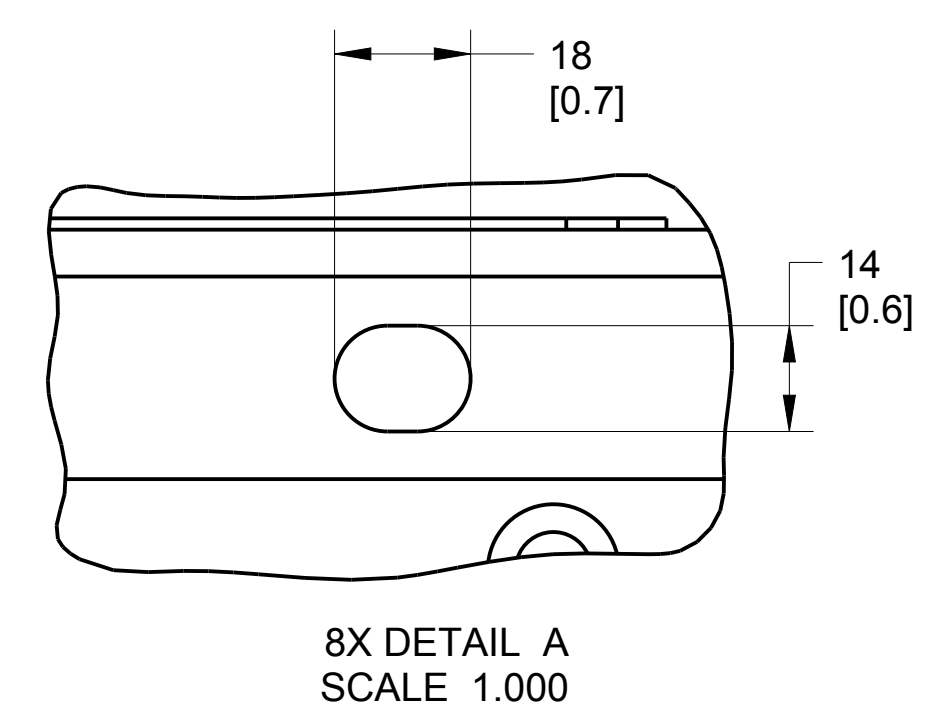
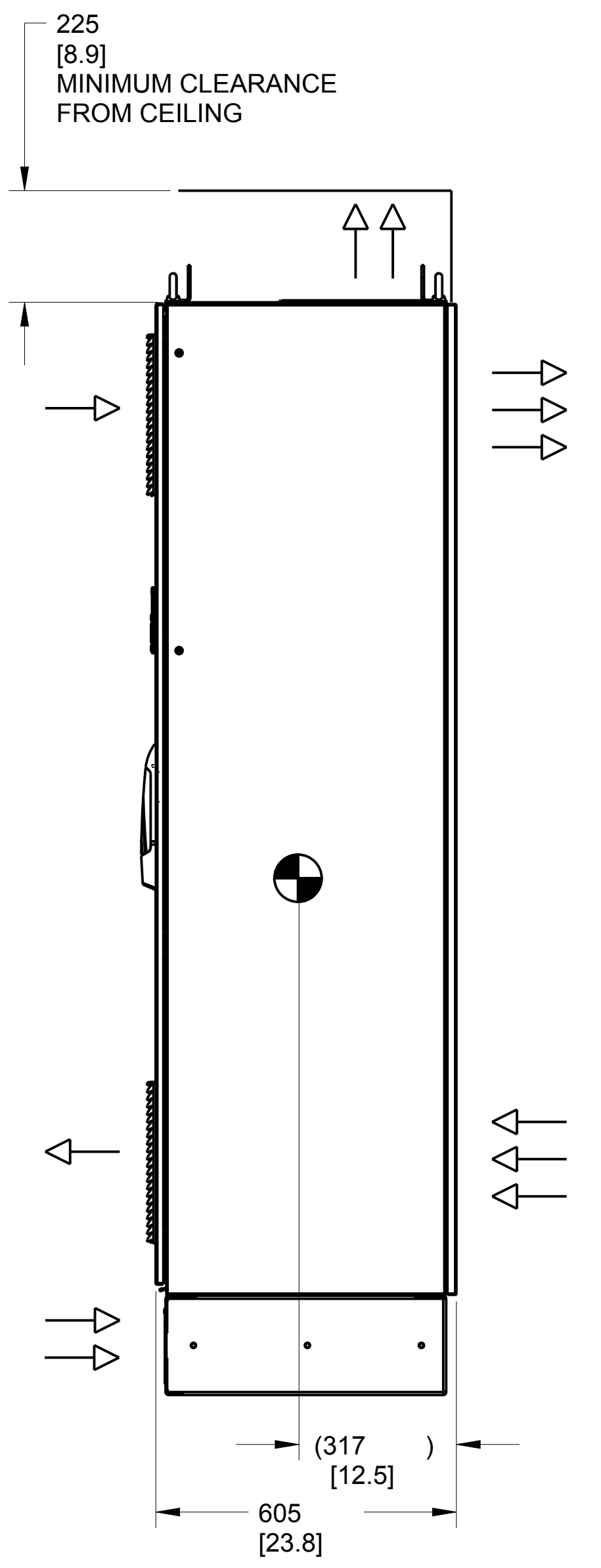
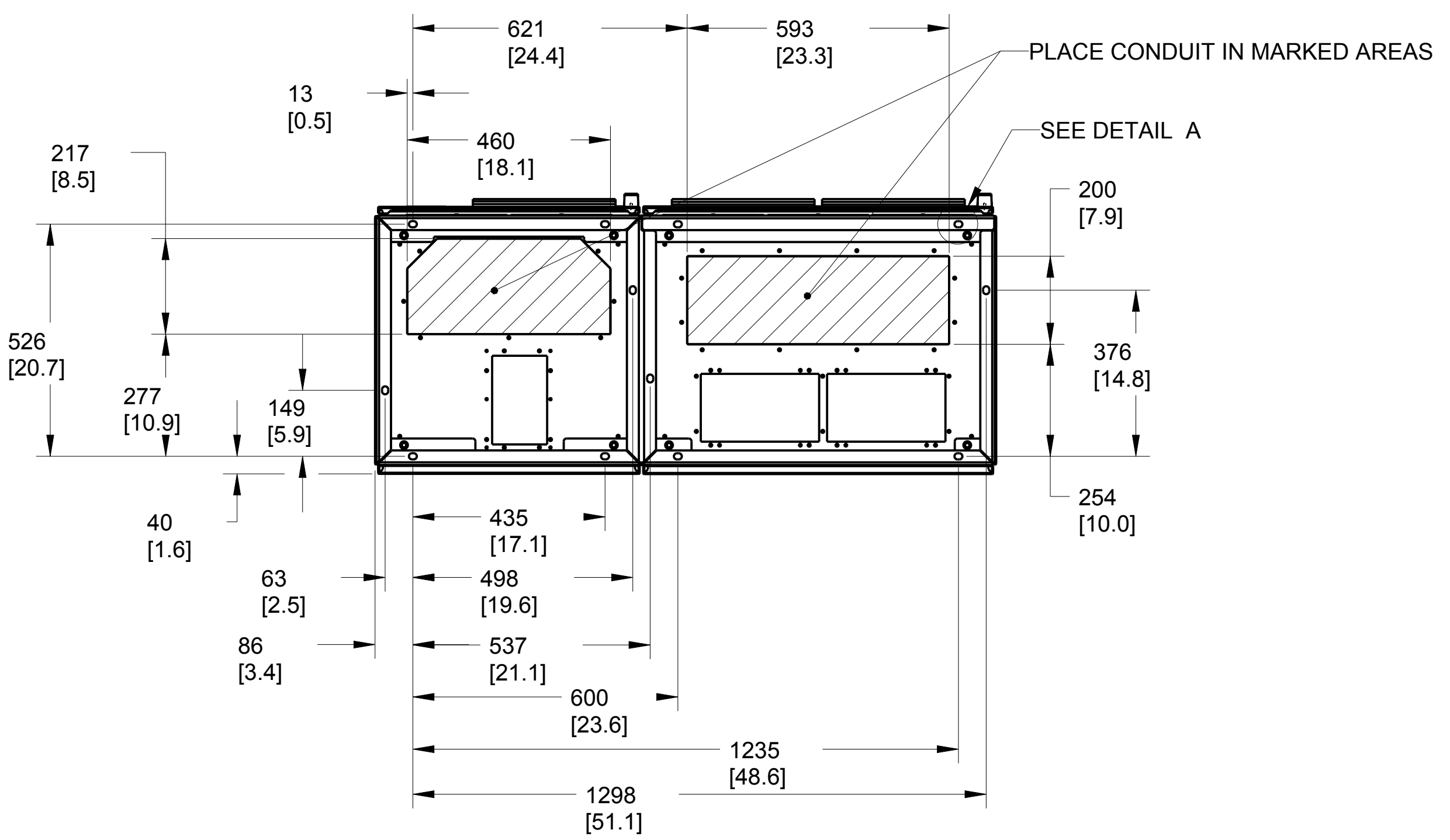
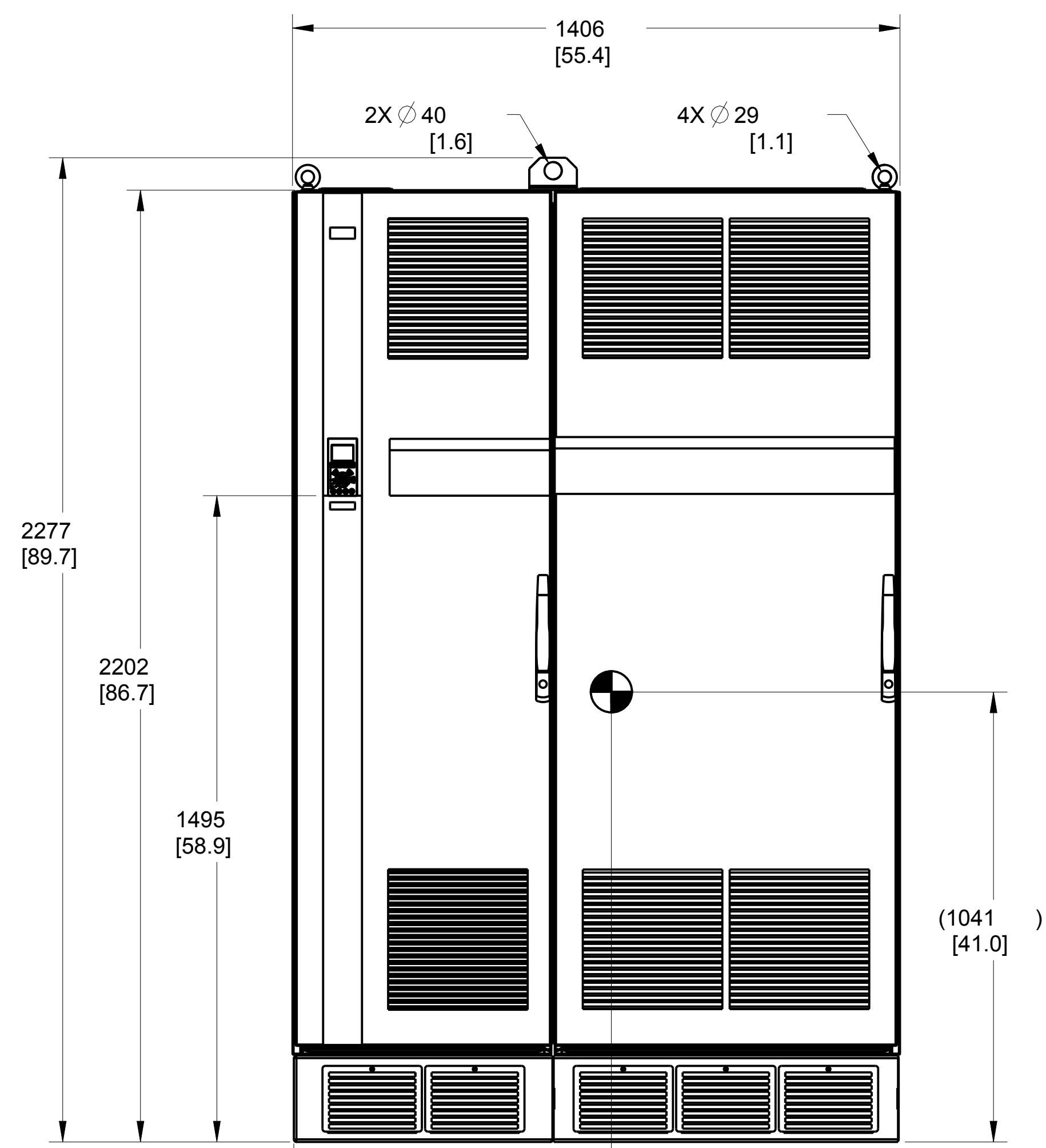
REVISION HISTORY			
REV	ECN NUMBER	ENTRY BY	DATE
001	INITIAL RELEASE	JM	06/01/07
002	HP08034	ML	05/14/08
003	HP09117	ML	09/21/09
004	HP10024	ML	03/24/10
006	HP11054	DH	05/17/11
007		SR	06/27/13

D

C

B

A



007 ADDED SHEETS 7 & 8

FRAME F1
 IP21/IP54/UL AND NEMA1/NEMA12
 APPROXIMATE WEIGHT: 1043KG [2300LB]

VLT COOLING:
 THE VLT FREQUENCY CONVERTER MUST BE INSTALLED VERTICALLY WITH THE MINIMUM 9" [225 MM] FREE SPACE ABOVE THE ENCLOSURE.

ALL IP21/UL NEMA TYPE 1 AND IP54/ NEMA UL TYPE 12 UNITS MAY BE MOUNTED SIDE BY SIDE, WITH NO MINIMUM CLEARANCE.

FAILURE TO REMOUNT CABINET FLOOR GLAND PLATES WILL HAVE A NEGATIVE INFLUENCE ON THE UNIT'S INTERNAL COOLING CAPACITY AND CAN CAUSE TRIP FAULTS.

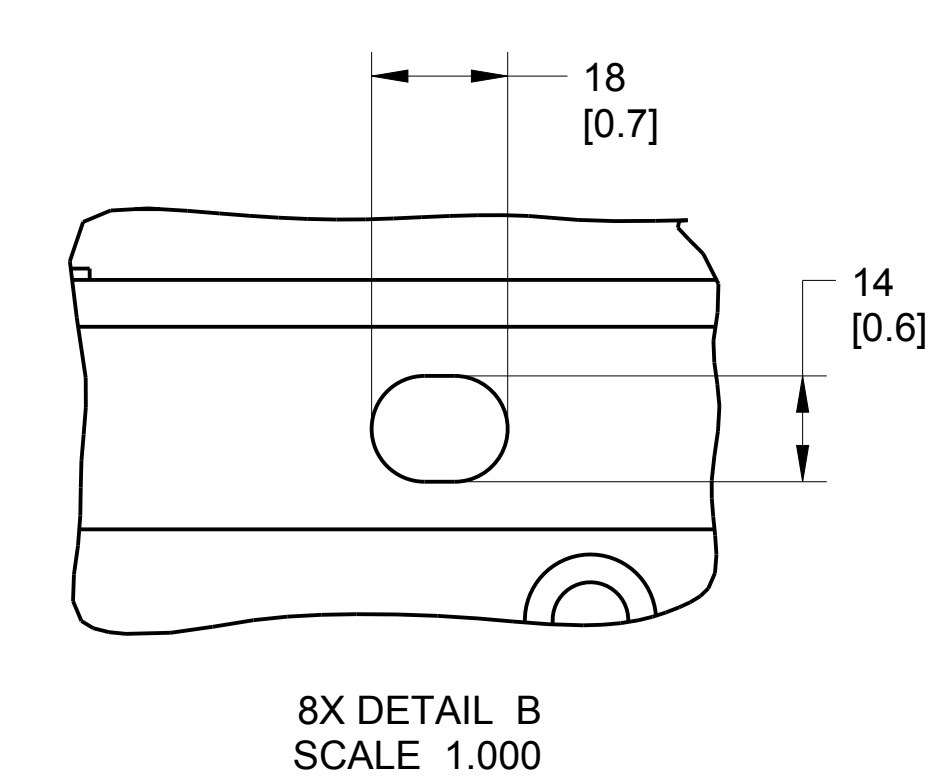
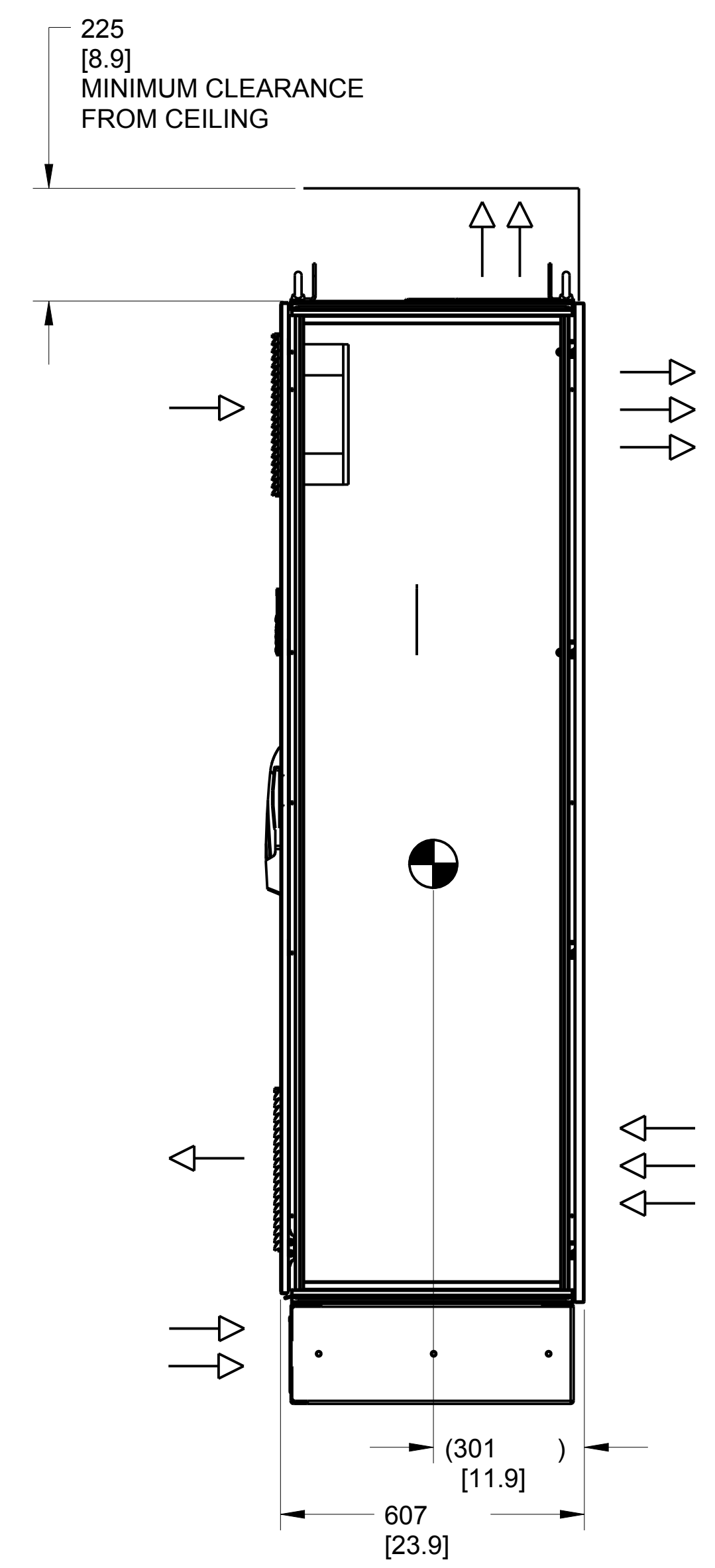
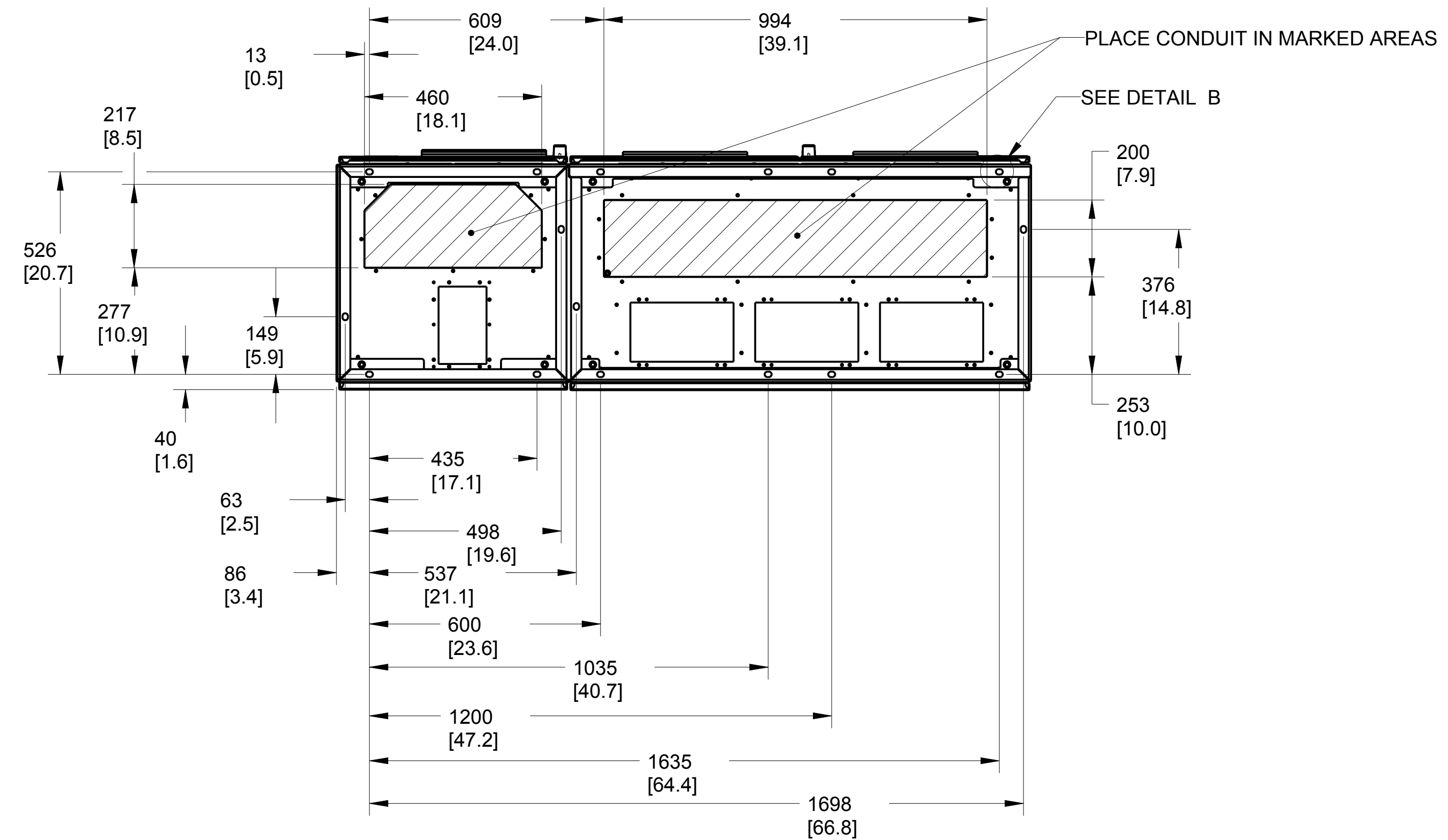
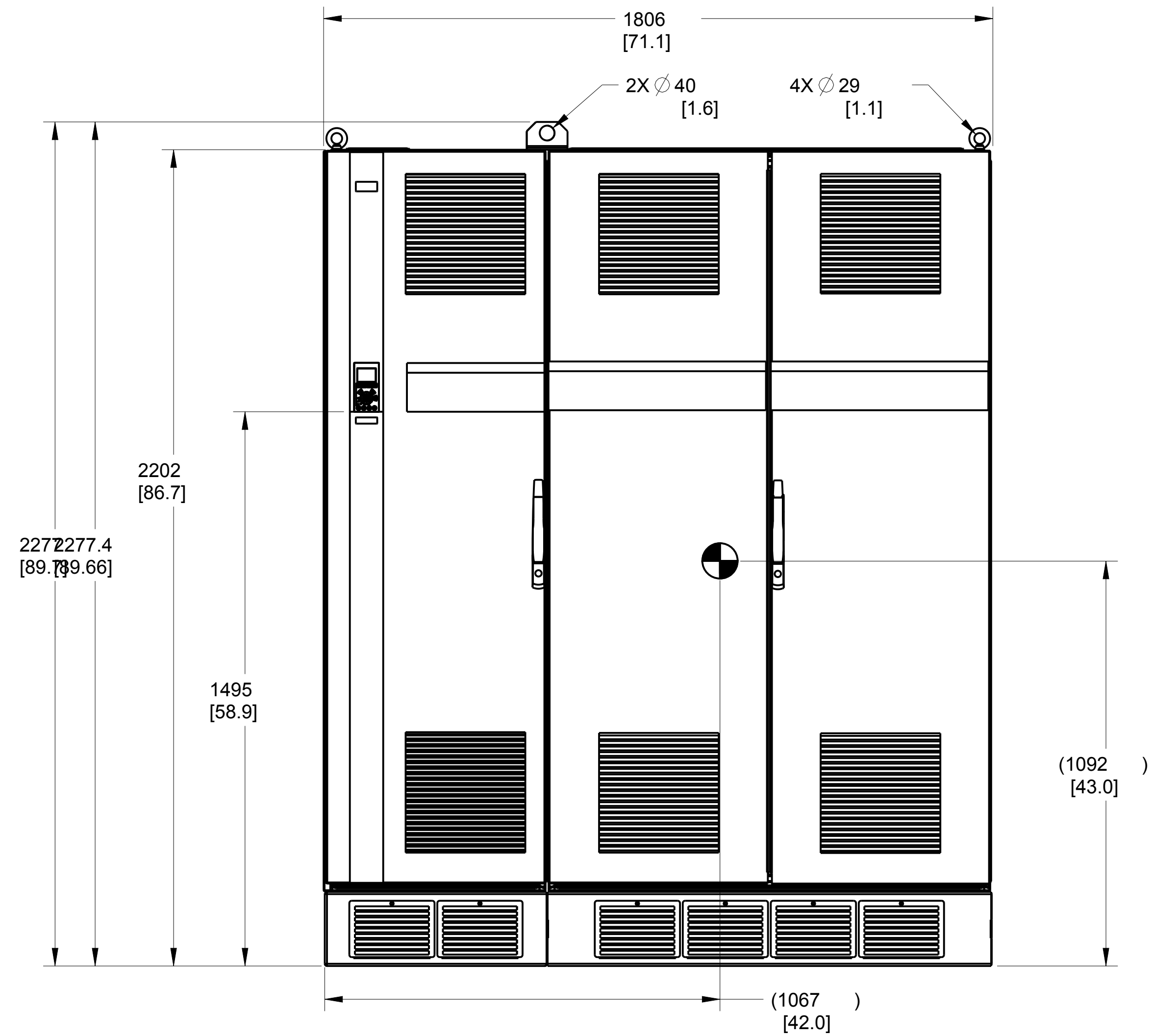
BACK CHANNEL COOLING:
 STANDARD COOLING CONFIGURATION IS WITH THE INTAKE THROUGH THE BASE CABLE PLINTH AND EXHAUST OUT THE TOP OF THE ENCLOSURE.

OPTIONAL COOLING CONFIGURATION IS WITH THE INTAKE THROUGH THE LOWER REAR OF THE CABINET AND EXHAUST OUT THE UPPER REAR.

EACH INVERTER AND RECTIFIER MODULE HAS DEDICATED COOLING DUCTWORK.

CENTER OF GRAVITY:
 REFERENCE ONLY, CONFIGURATION MAY SHIFT CG IN ALL THREE AXISES.

UNLESS OTHERWISE SPECIFIED INTERPRET DIM AND TOL PER ASME Y14.5M-1994 .X± 0.4 .XX± 0.20 ∠ ± 0.5 DIM ARE IN MILLIMETERS WEIGHTS ARE IN KILOGRAMS THIRD ANGLE PROJECTION	PROPERTIES		 4401 N. BELL SCHOOL RD. LOVES PARK, ILLINOIS 61111 USA (815) 639-6600 FAX (815) 639-0000
	MATERIAL	N/A	
	FINISH	N/A	
	THICKNESS EST. WEIGHT	N/A	
APPROVALS	INITIALS	DATE	TITLE
DRAWN	JM	06/01/07	DWG, REF, MTG INSTRUCTION, F1-F4
CHECKED			SIZE D
ENGR			SCALE 0.100
			MODEL P408-3-SUBMITTAL
			DRAWING NO. 177R0029
			REV 007
			SHEET 1 OF 9



FRAME F2
 IP21/IP54/UL AND NEMA1/NEMA12
 APPROXIMATE WEIGHT: 1293KG [2850LB]

VLT COOLING:
 THE VLT FREQUENCY CONVERTER MUST BE INSTALLED VERTICALLY WITH THE MINIMUM 9" [225 MM] FREE SPACE ABOVE THE ENCLOSURE.

ALL IP21/UL NEMA TYPE 1 AND IP54/ NEMA UL TYPE 12 UNITS MAY BE MOUNTED SIDE BY SIDE, WITH NO MINIMUM CLEARANCE.

FAILURE TO REMOUNT CABINET FLOOR GLAND PLATES WILL HAVE A NEGATIVE INFLUENCE ON THE UNIT'S INTERNAL COOLING CAPACITY AND CAN CAUSE TRIP FAULTS.

BACK CHANNEL COOLING:
 STANDARD COOLING CONFIGURATION IS WITH THE INTAKE THROUGH THE BASE CABLE PLINTH AND EXHAUST OUT THE TOP OF THE ENCLOSURE.

OPTIONAL COOLING CONFIGURATION IS WITH THE INTAKE THROUGH THE LOWER REAR OF THE CABINET AND EXHAUST OUT THE UPPER REAR.

EACH INVERTER AND RECTIFIER MODULE HAS DEDICATED COOLING DUCTWORK.

CENTER OF GRAVITY:
 REFERENCE ONLY, CONFIGURATION MAY SHIFT CG IN ALL THREE AXISES.

TITLE			
DWG, REF, MTG INSTRUCTION, F1-F4			
SIZE	MODEL	REV	
D	P408-3-SUBMITTAL	007	
SCALE	DRAWING NO.	SHEET	
0.100	177R0029	2 OF 9	

8

7

6

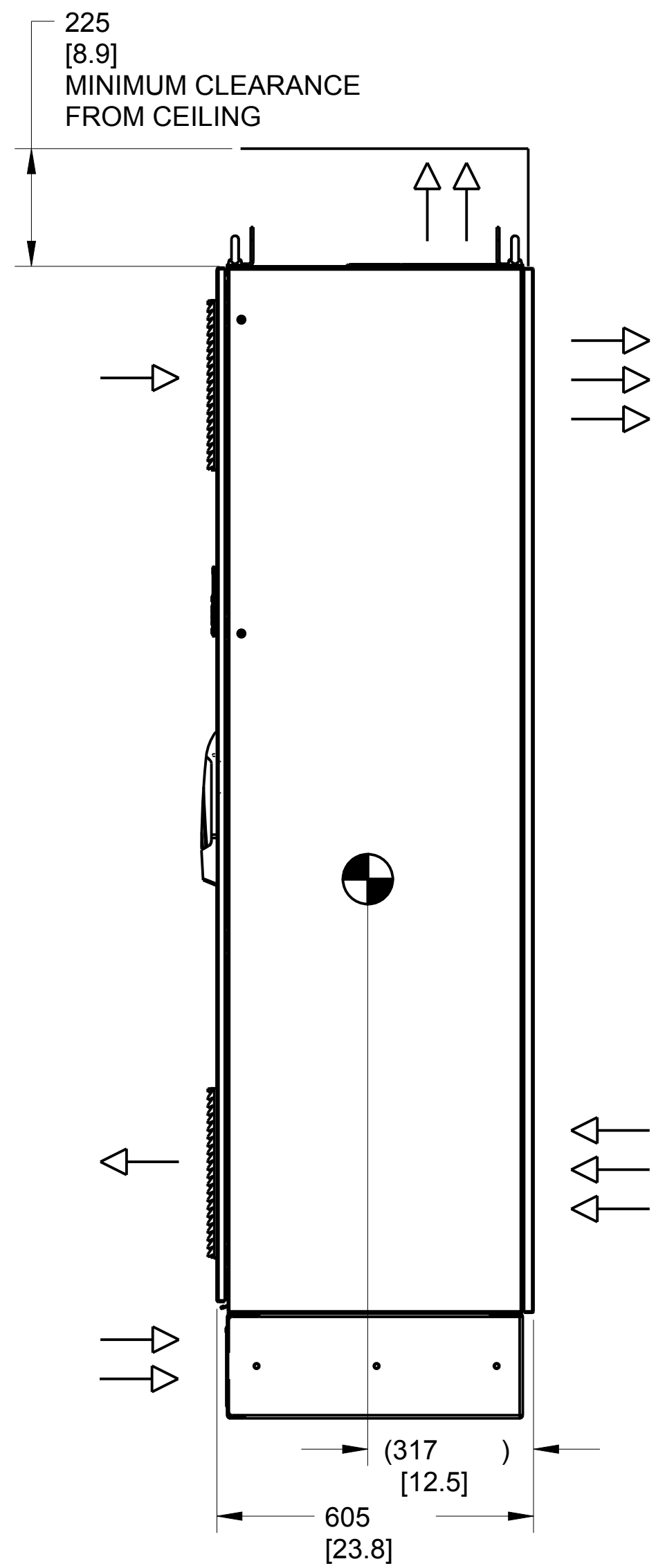
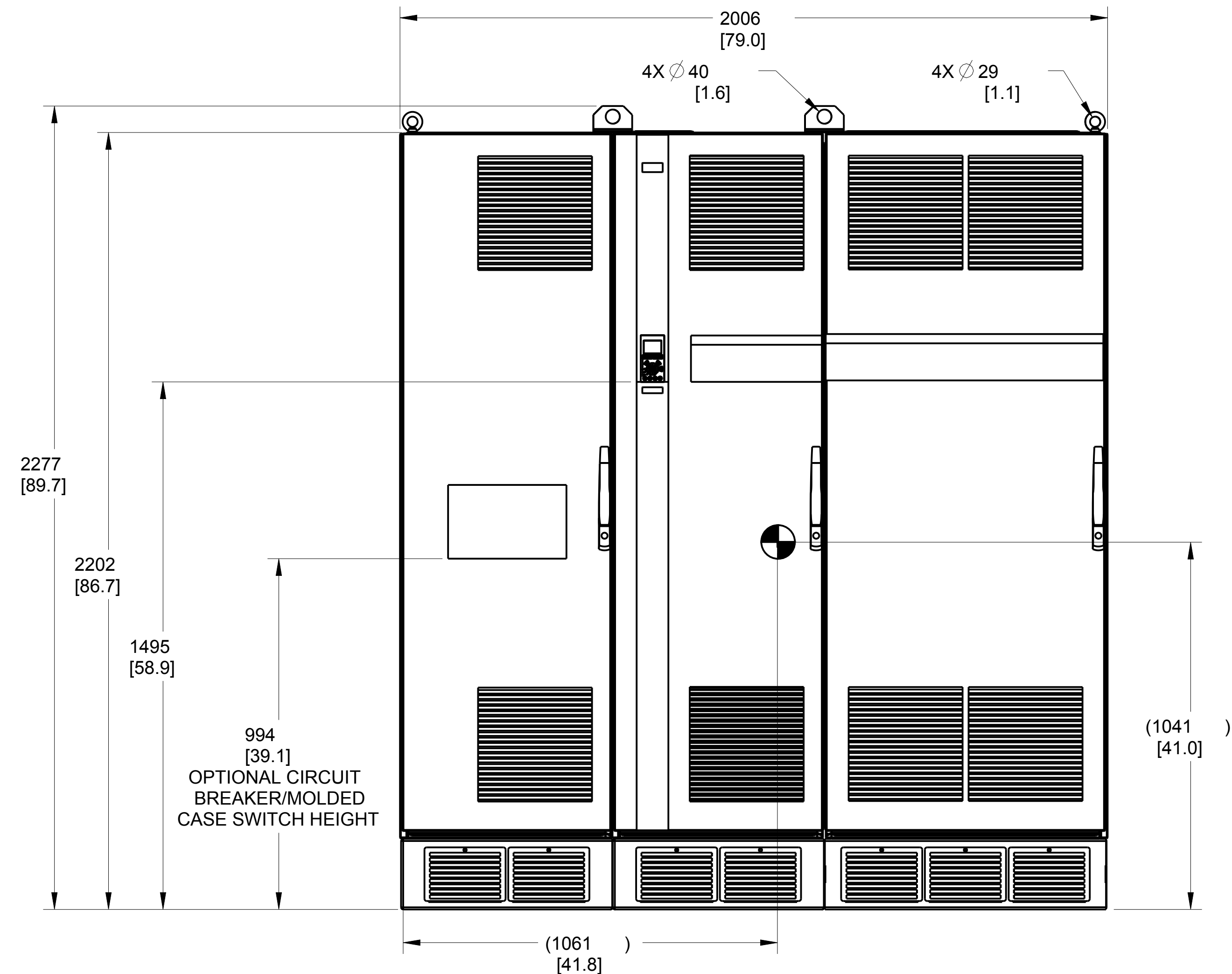
5

4

3

2

1



FRAME F3
 IP21/IP54/UL AND NEMA1/NEMA12
 APPROXIMATE WEIGHT: 1361KG [3000LB]

VLT COOLING:

THE VLT FREQUENCY CONVERTER MUST BE INSTALLED VERTICALLY WITH THE MINIMUM 9" [225 MM] FREE SPACE ABOVE THE ENCLOSURE.

ALL IP21/UL NEMA TYPE 1 AND IP54/ NEMA UL TYPE 12 UNITS MAY BE MOUNTED SIDE BY SIDE, WITH NO MINIMUM CLEARANCE.

FAILURE TO REMOUNT CABINET FLOOR GLAND PLATES WILL HAVE A NEGATIVE INFLUENCE ON THE UNIT'S INTERNAL COOLING CAPACITY AND CAN CAUSE TRIP FAULTS.

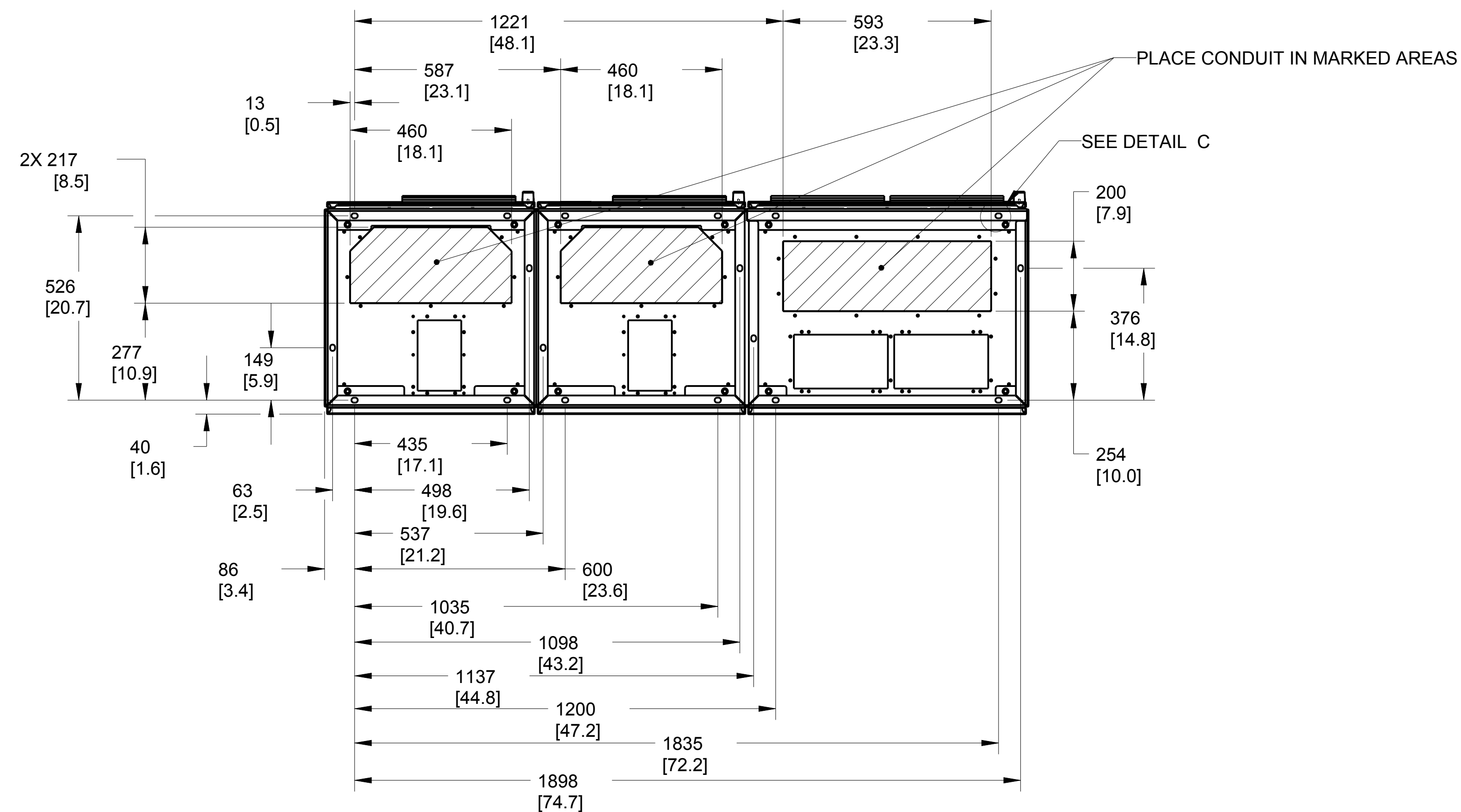
BACK CHANNEL COOLING:

STANDARD COOLING CONFIGURATION IS WITH THE INTAKE THROUGH THE BASE CABLE PLINTH AND EXHAUST OUT THE TOP OF THE ENCLOSURE.

OPTIONAL COOLING CONFIGURATION IS WITH THE INTAKE THROUGH THE LOWER REAR OF THE CABINET AND EXHAUST OUT THE UPPER REAR.

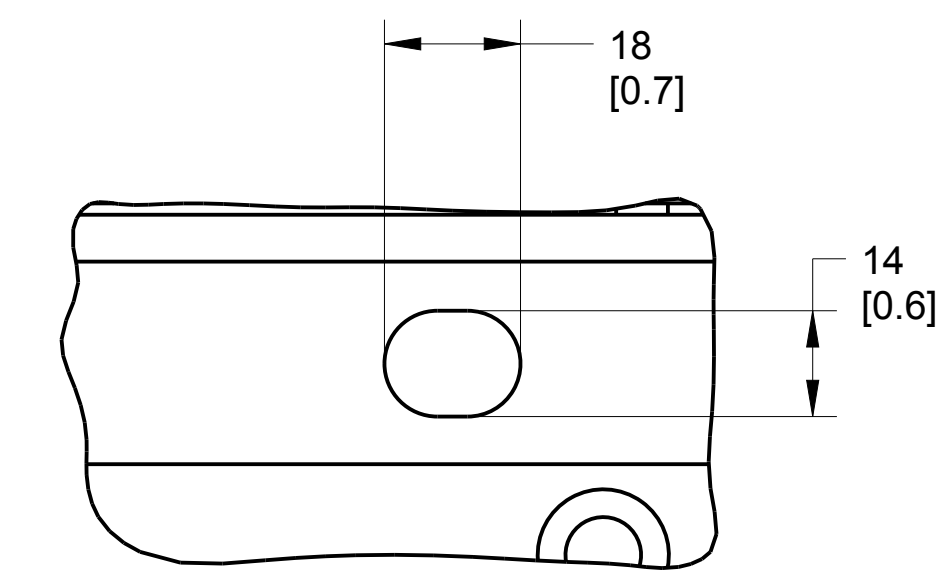
EACH INVERTER AND RECTIFIER MODULE HAS DEDICATED COOLING DUCTWORK.

CENTER OF GRAVITY: REFERENCE ONLY, CONFIGURATION MAY SHIFT CG IN ALL THREE AXES.



PLACE CONDUIT IN MARKED AREAS

SEE DETAIL C



12X DETAIL C
 SCALE 1.000

TITLE			
DWG, REF, MTG INSTRUCTION, F1-F4			
SIZE	MODEL	REV	
D	P408-3-SUBMITTAL	007	
SCALE	DRAWING NO.	SHEET	
0.100	177R0029	3 OF 9	

8

7

6

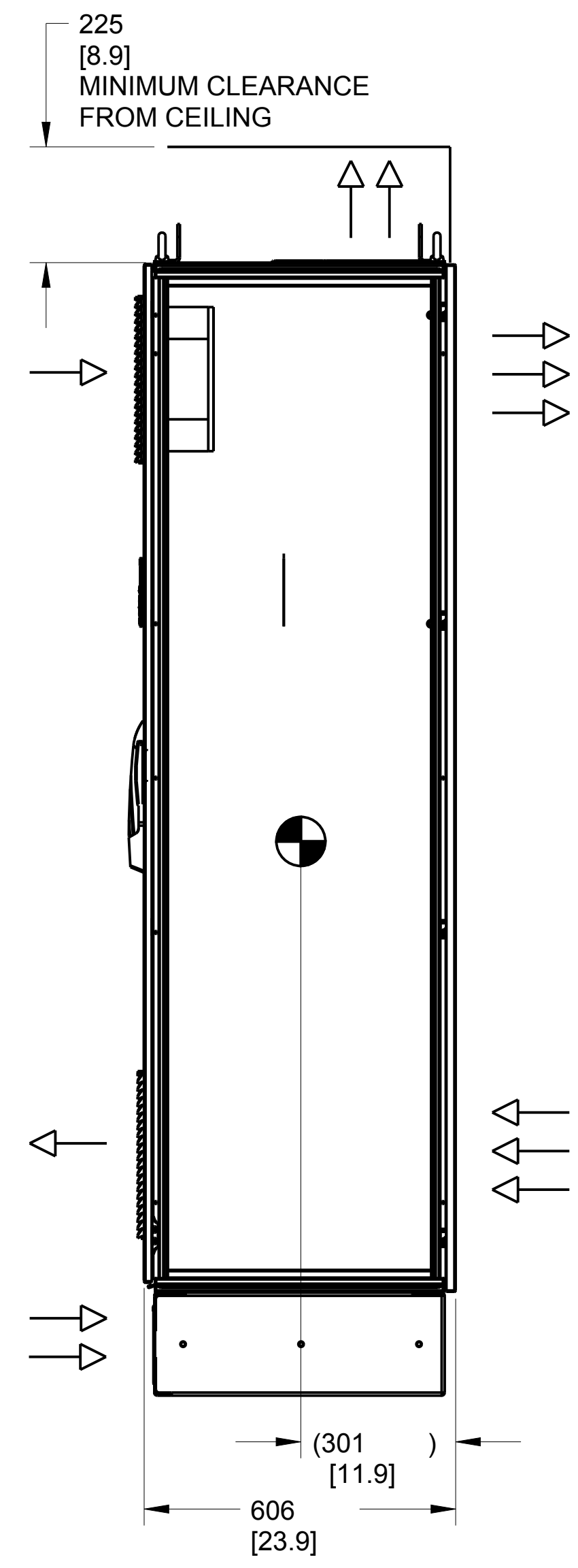
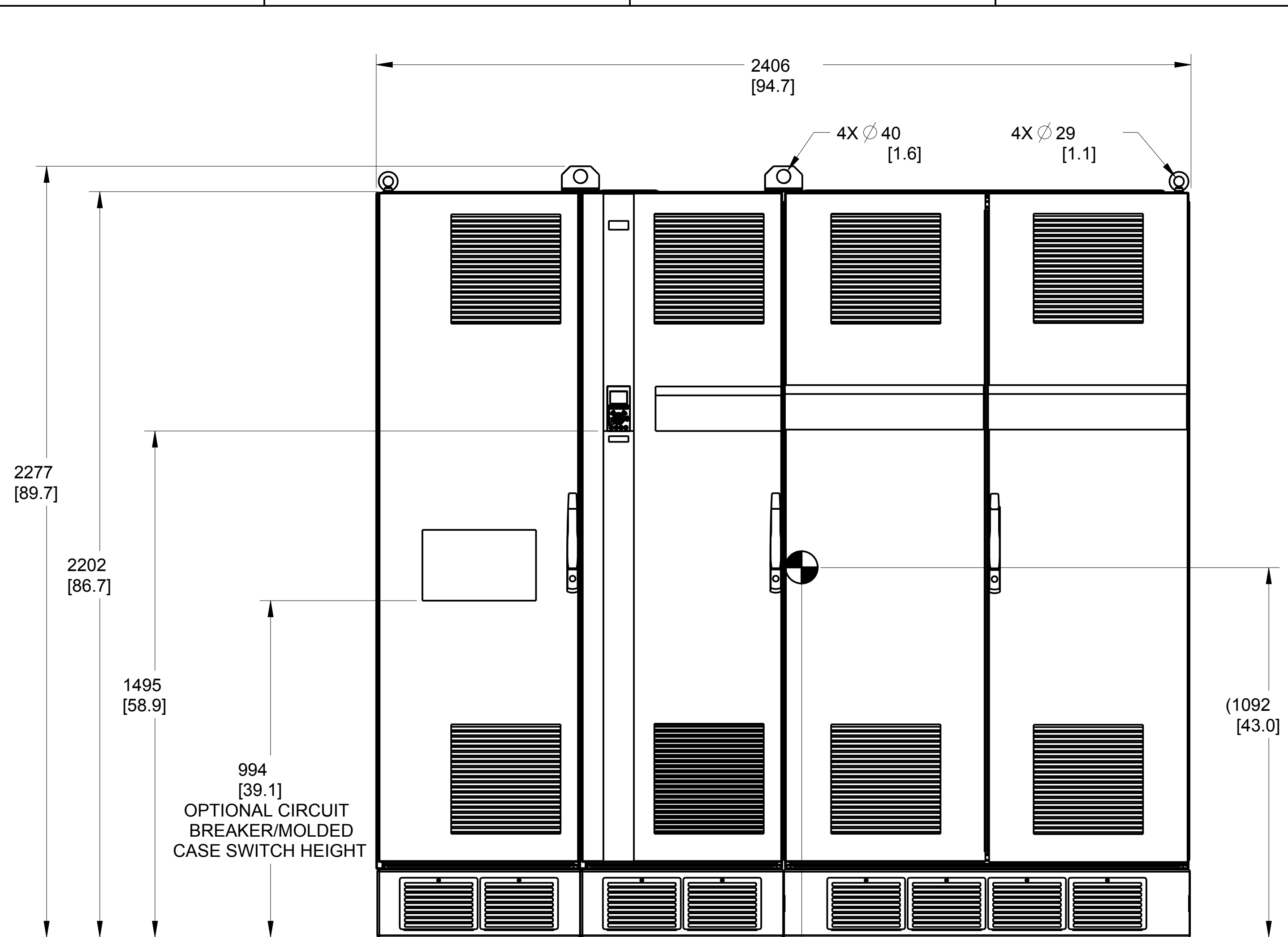
5

4

3

2

1



FRAME F4
 IP21/IP54/UL AND NEMA1/NEMA12
 APPROXIMATE WEIGHT: 1633KG [3600LB]

VLT COOLING:
 THE VLT FREQUENCY CONVERTER MUST BE INSTALLED VERTICALLY WITH THE MINIMUM 9" [225 MM] FREE SPACE ABOVE THE ENCLOSURE.

ALL IP21/UL NEMA TYPE 1 AND IP54/ NEMA UL TYPE 12 UNITS MAY BE MOUNTED SIDE BY SIDE, WITH NO MINIMUM CLEARANCE.

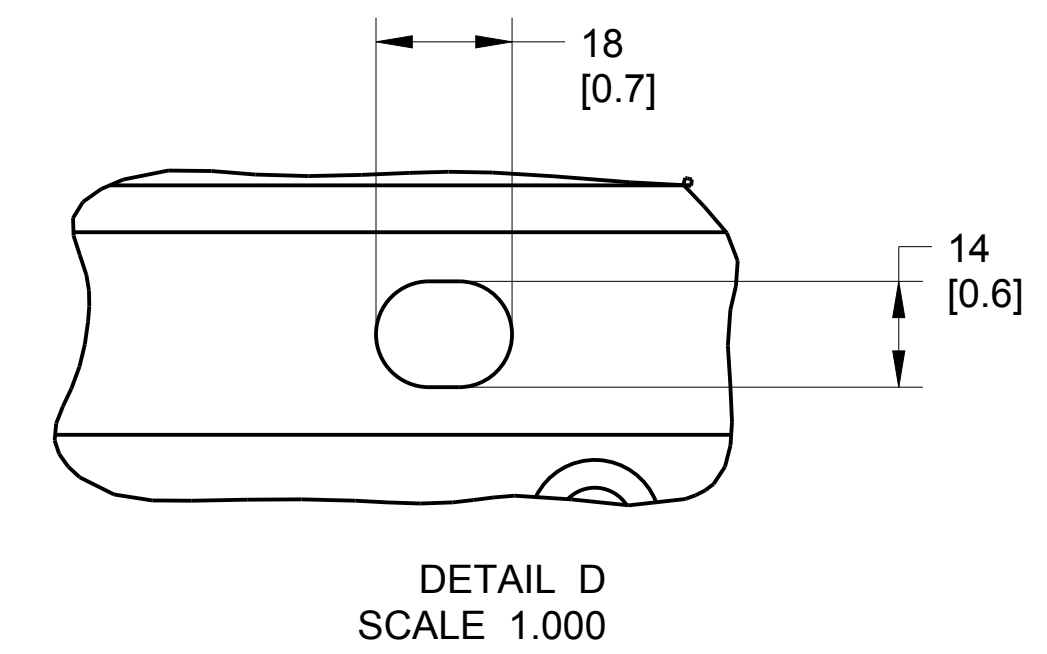
FAILURE TO REMOUNT CABINET FLOOR GLAND PLATES WILL HAVE A NEGATIVE INFLUENCE ON THE UNIT'S INTERNAL COOLING CAPACITY AND CAN CAUSE TRIP FAULTS.

BACK CHANNEL COOLING:
 STANDARD COOLING CONFIGURATION IS WITH THE INTAKE THROUGH THE BASE CABLE PLINTH AND EXHAUST OUT THE TOP OF THE ENCLOSURE.

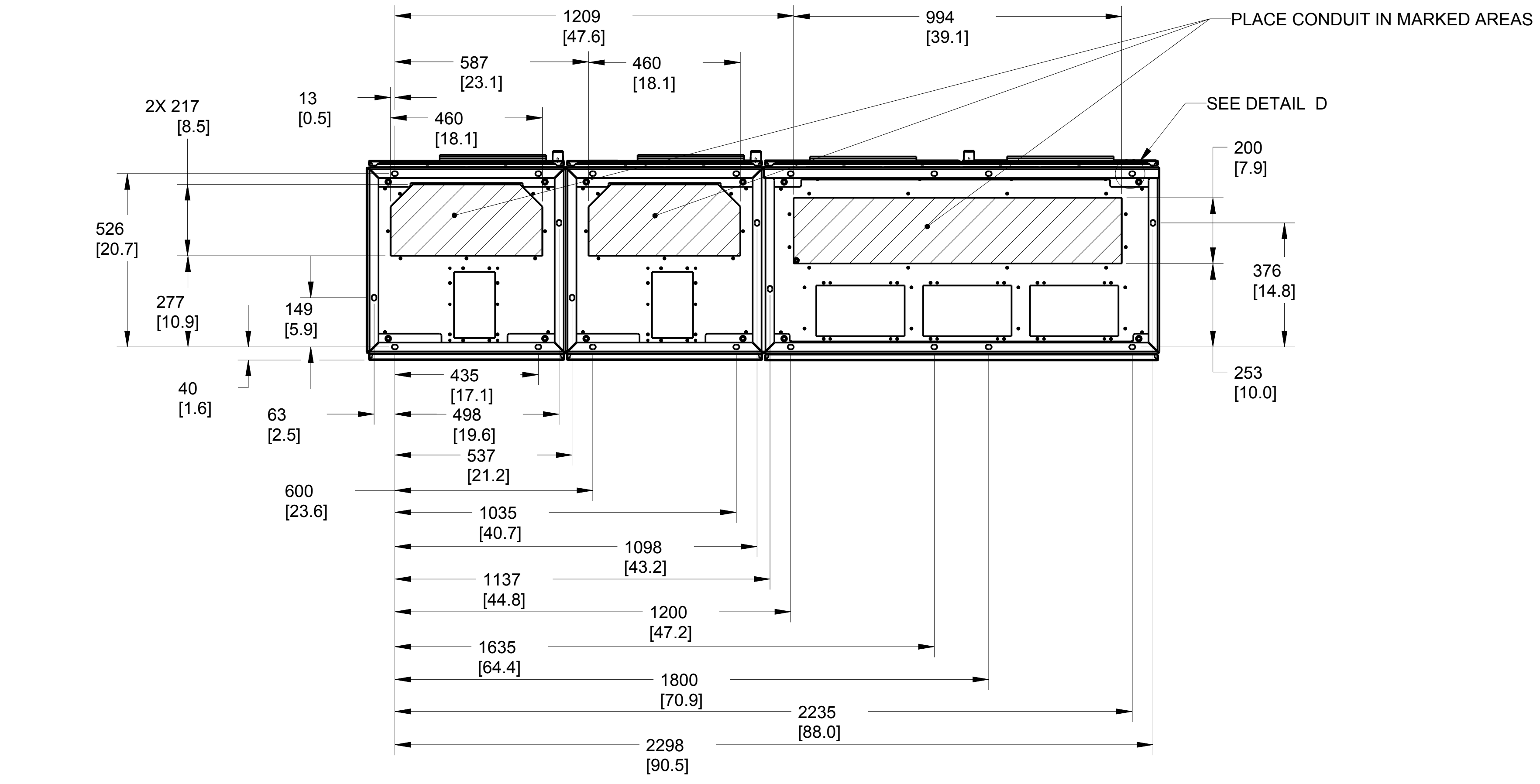
OPTIONAL COOLING CONFIGURATION IS WITH THE INTAKE THROUGH THE LOWER REAR OF THE CABINET AND EXHAUST OUT THE UPPER REAR.

EACH INVERTER AND RECTIFIER MODULE HAS DEDICATED COOLING DUCTWORK.

CENTER OF GRAVITY:
 REFERENCE ONLY, CONFIGURATION MAY SHIFT CG IN ALL THREE AXISES.



DETAIL D
 SCALE 1.000



PLACE CONDUIT IN MARKED AREAS

SEE DETAIL D

TITLE			
DWG, REF, MTG INSTRUCTION, F1-F4			
SIZE	MODEL	REV	
D	P408-3-SUBMITTAL	007	
SCALE	DRAWING NO.	SHEET	
0.100	177R0029	4 OF 9	

8

7

6

5

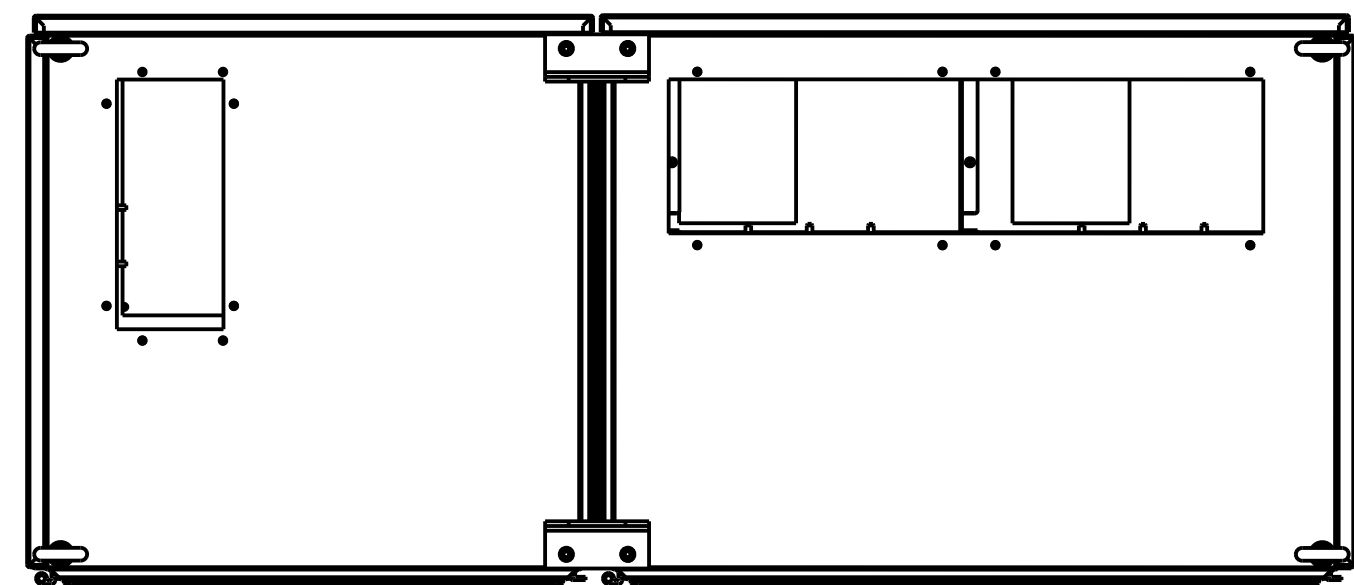
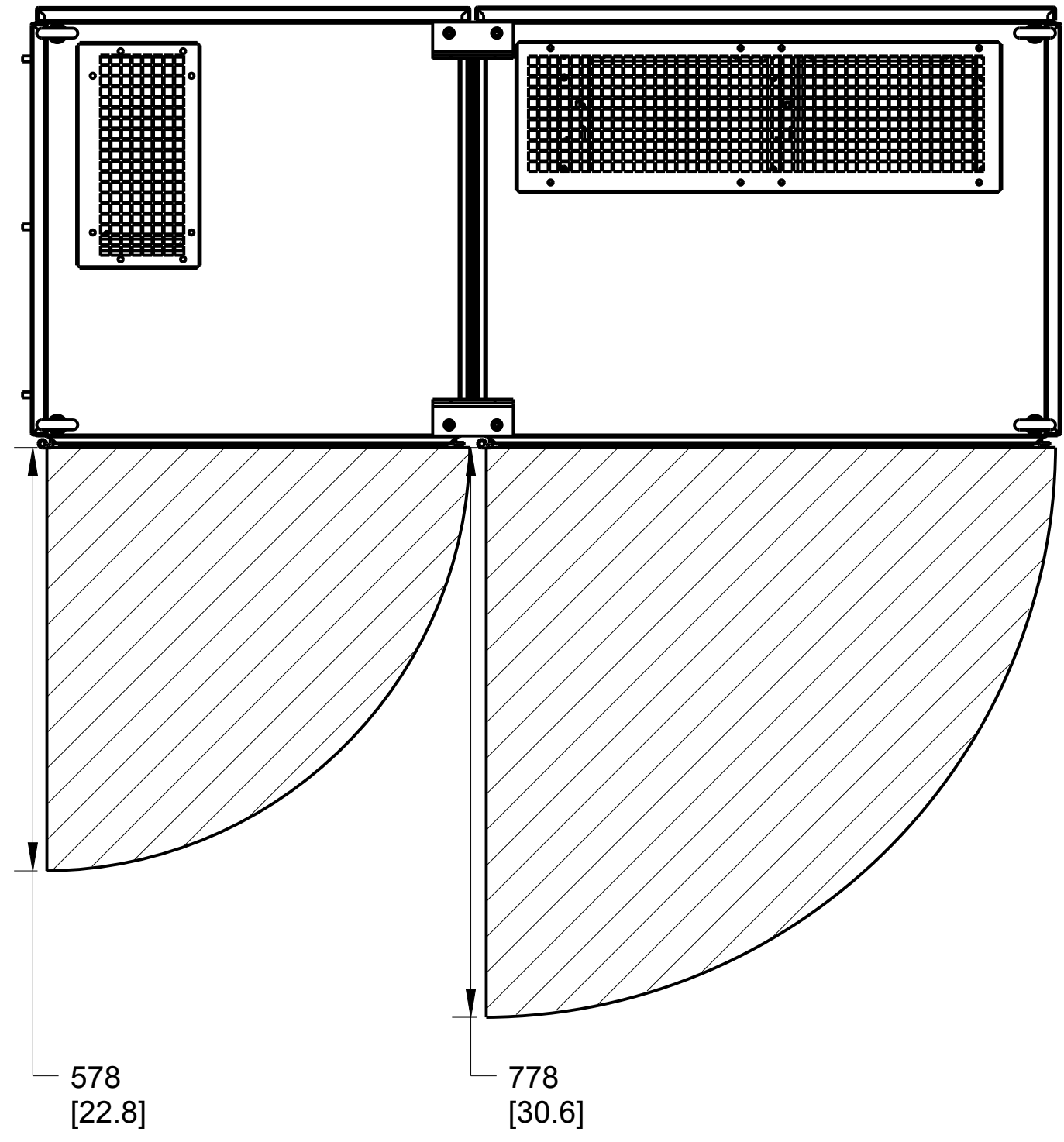
4

3

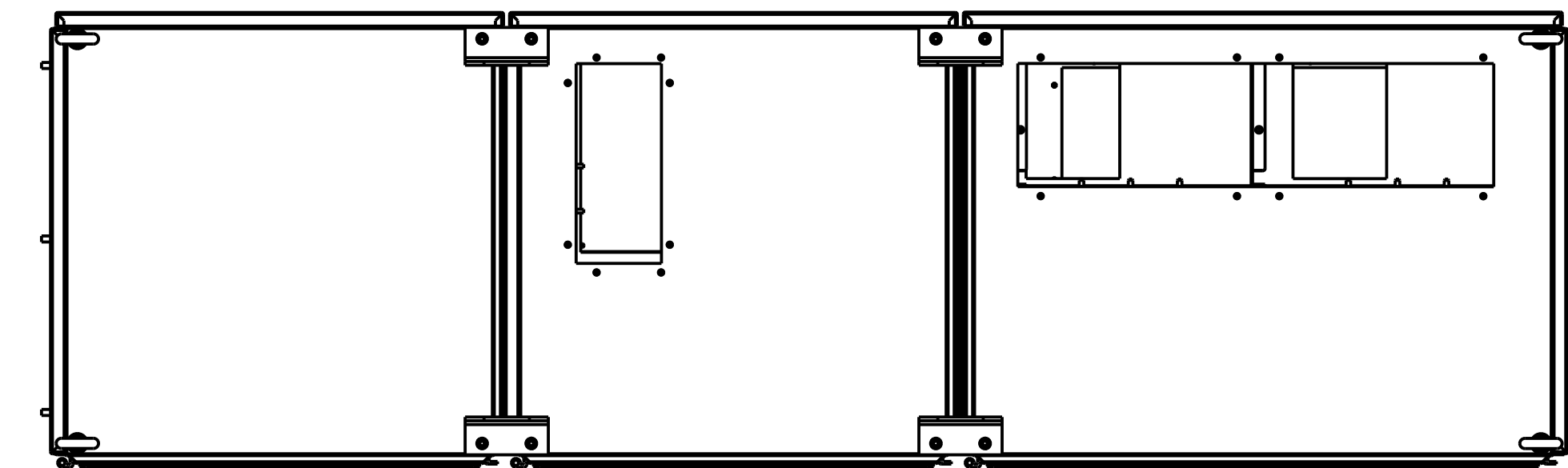
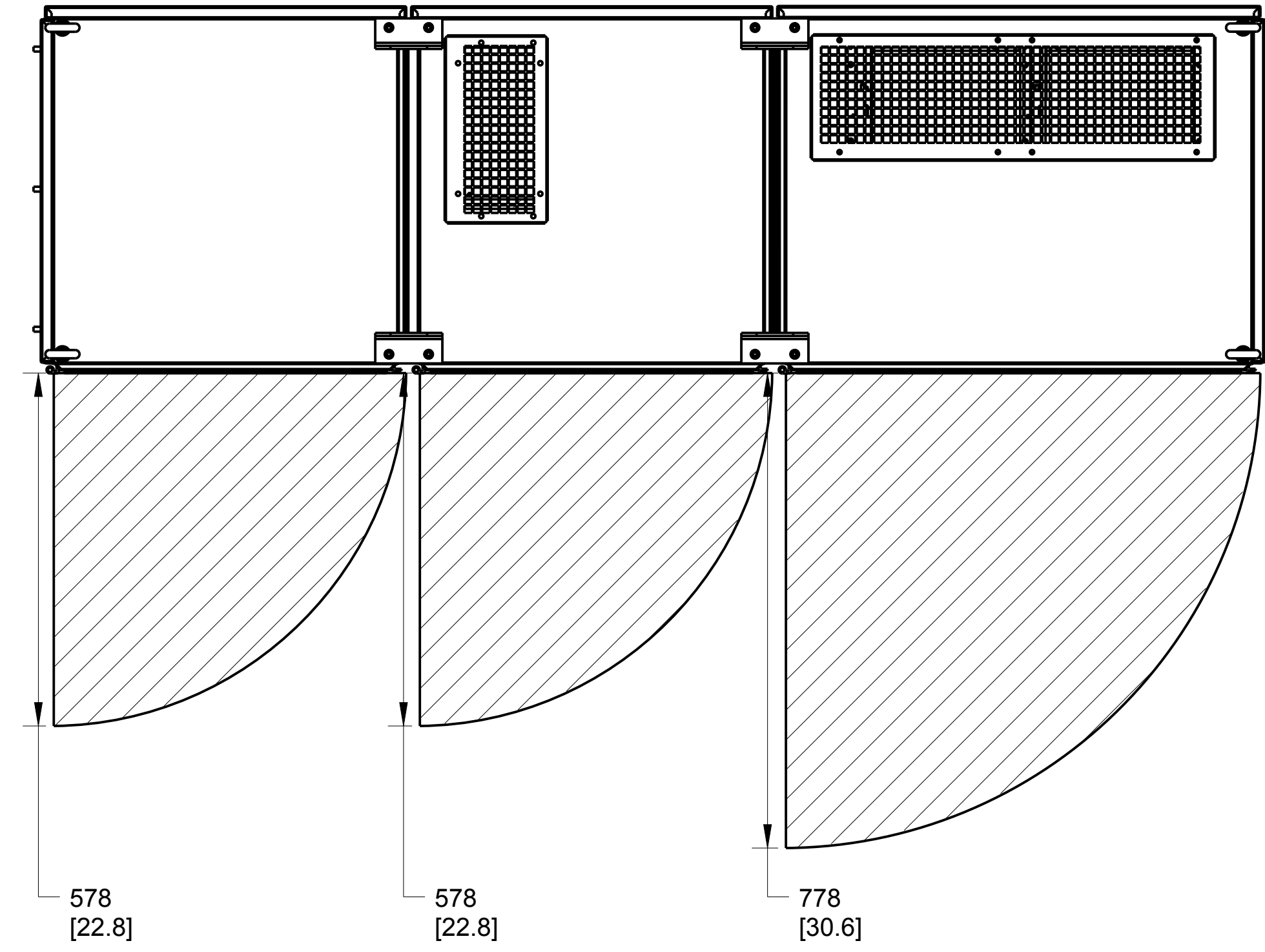
2

1

FRAME F1
IP21/IP54/UL AND NEMA1/NEMA12



FRAME F3
IP21/IP54/UL AND NEMA1/NEMA12



TITLE		
DWG, REF, MTG INSTRUCTION, F1-F4		
SIZE	MODEL	REV
D	P408-3-SUBMITTAL	007
SCALE	DRAWING NO.	SHEET
0.125	177R0029	5 OF 9

8

7

6

5

4

3

2

1

D

D

C

C

B

B

A

A

8

7

6

5

4

3

2

1

D

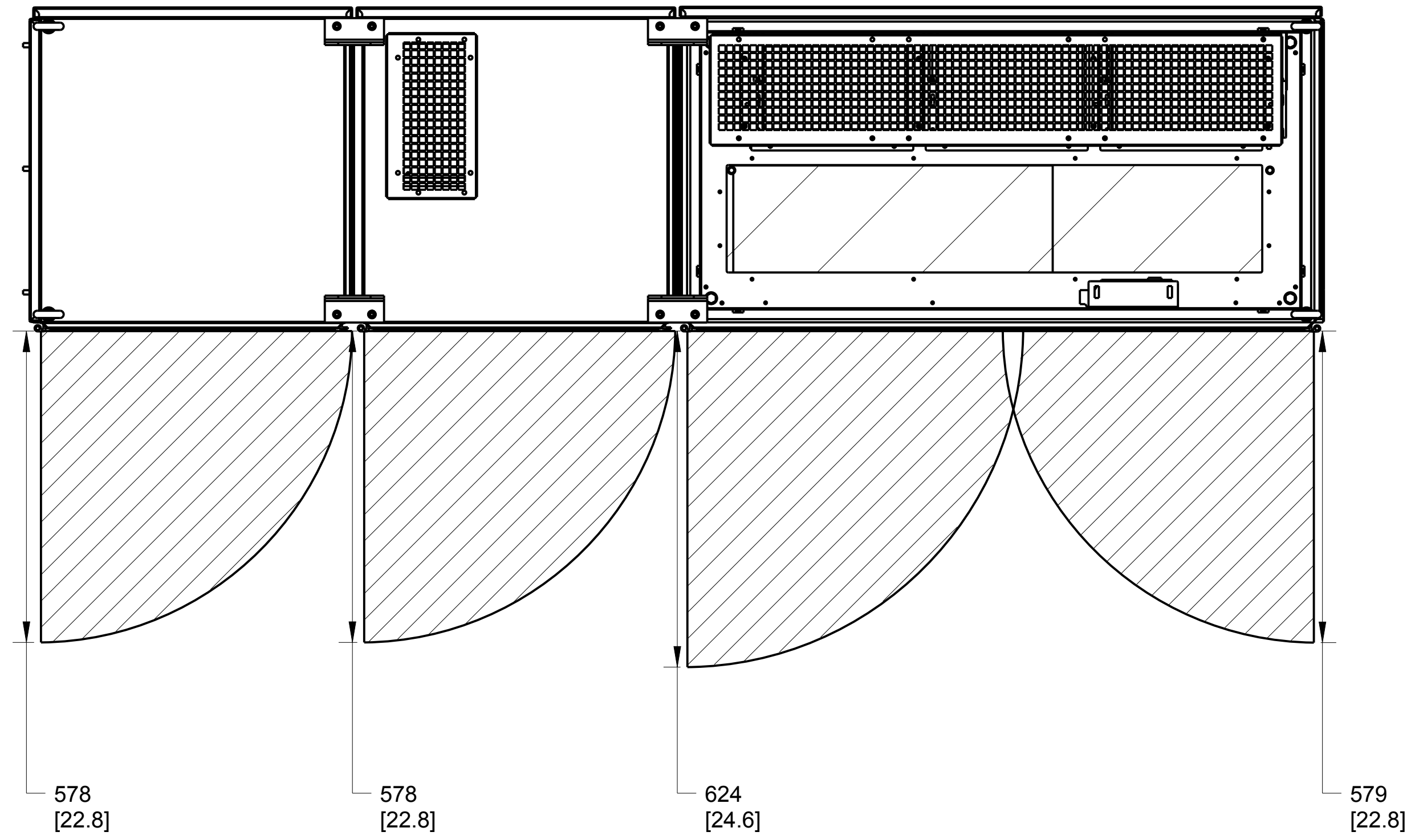
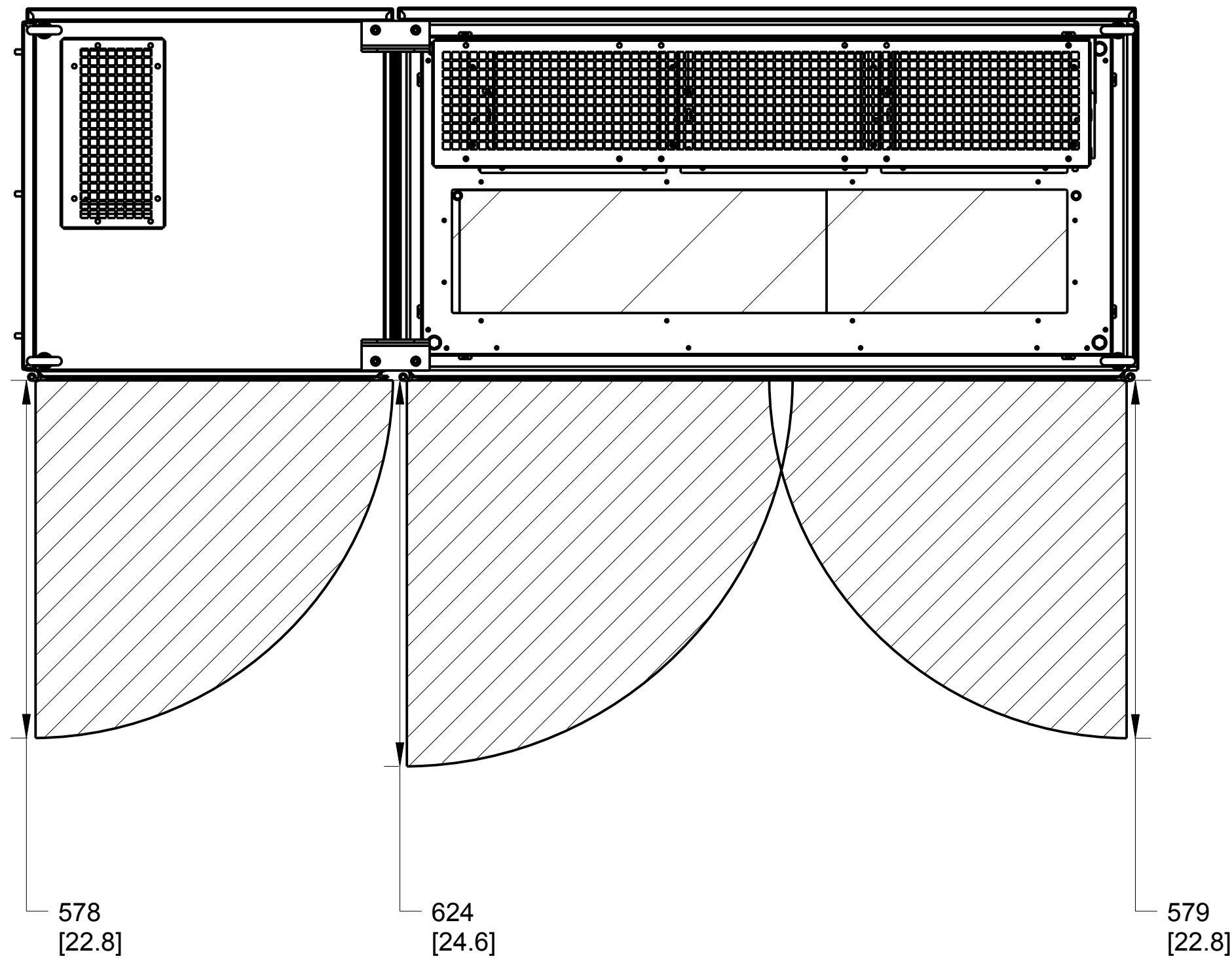
D

FRAME F2
IP21/IP54/UL AND NEMA1/NEMA12

FRAME F4
IP21/IP54/UL AND NEMA1/NEMA12

C

C



B

B

A

A

8

7

6

5

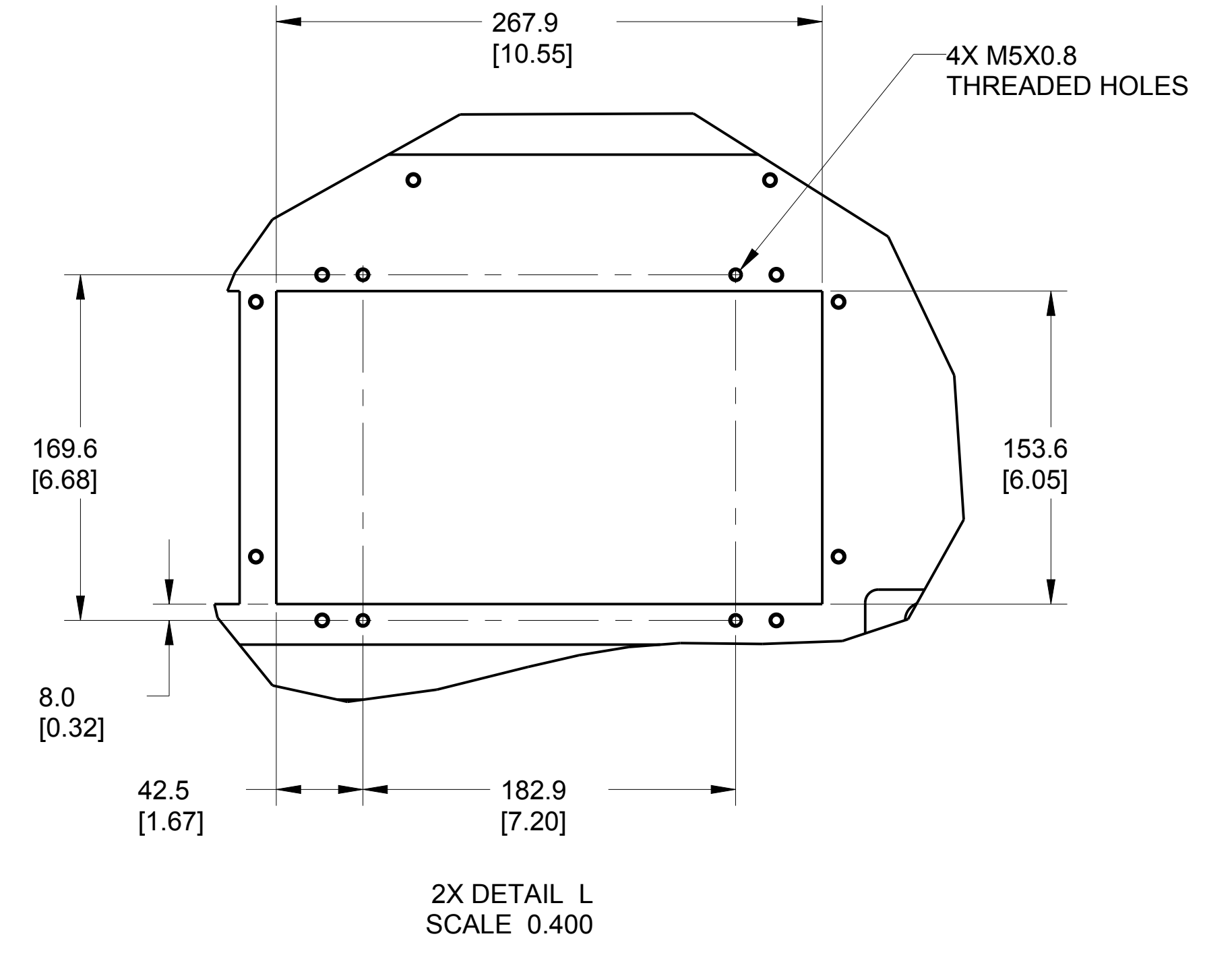
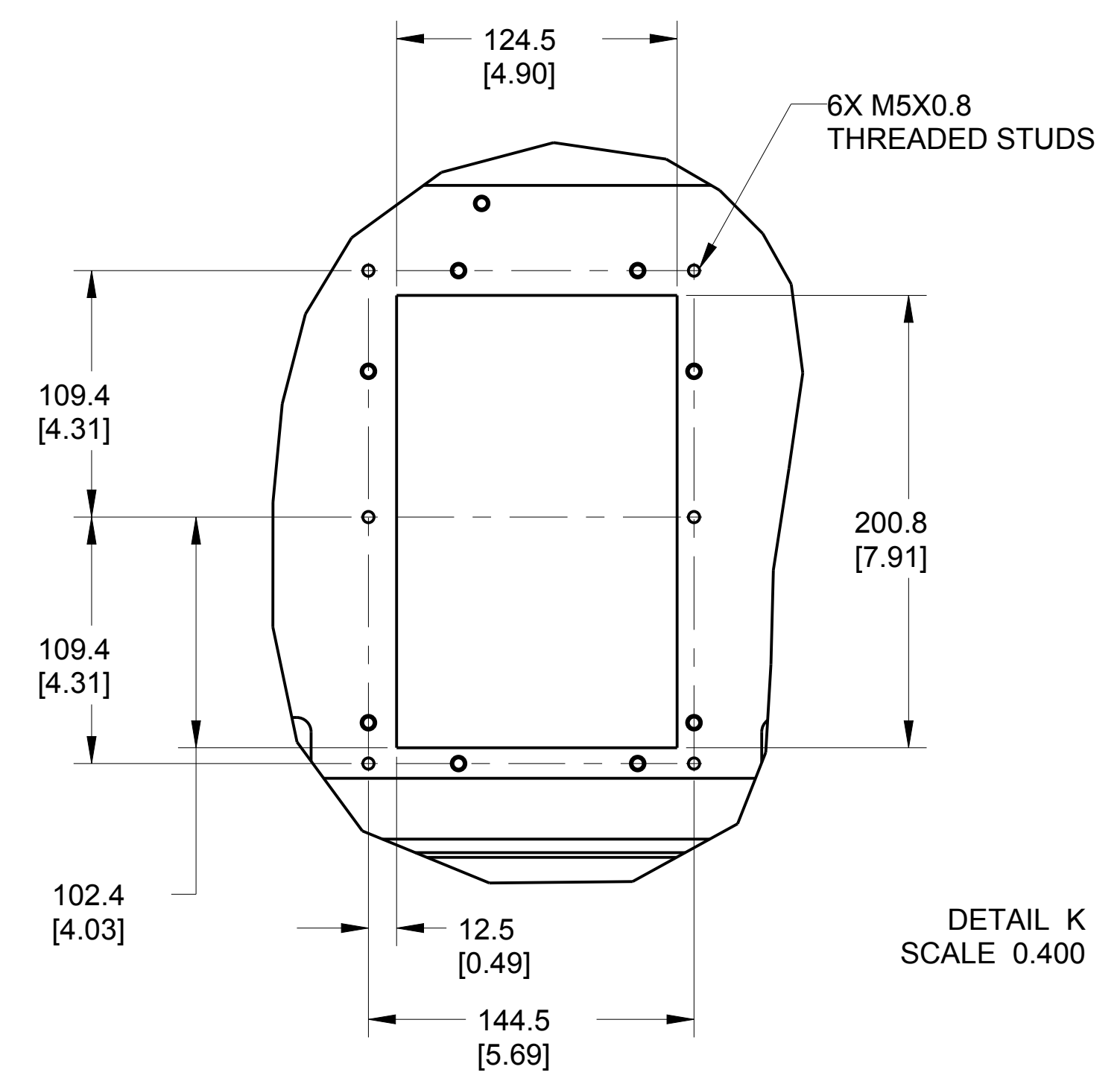
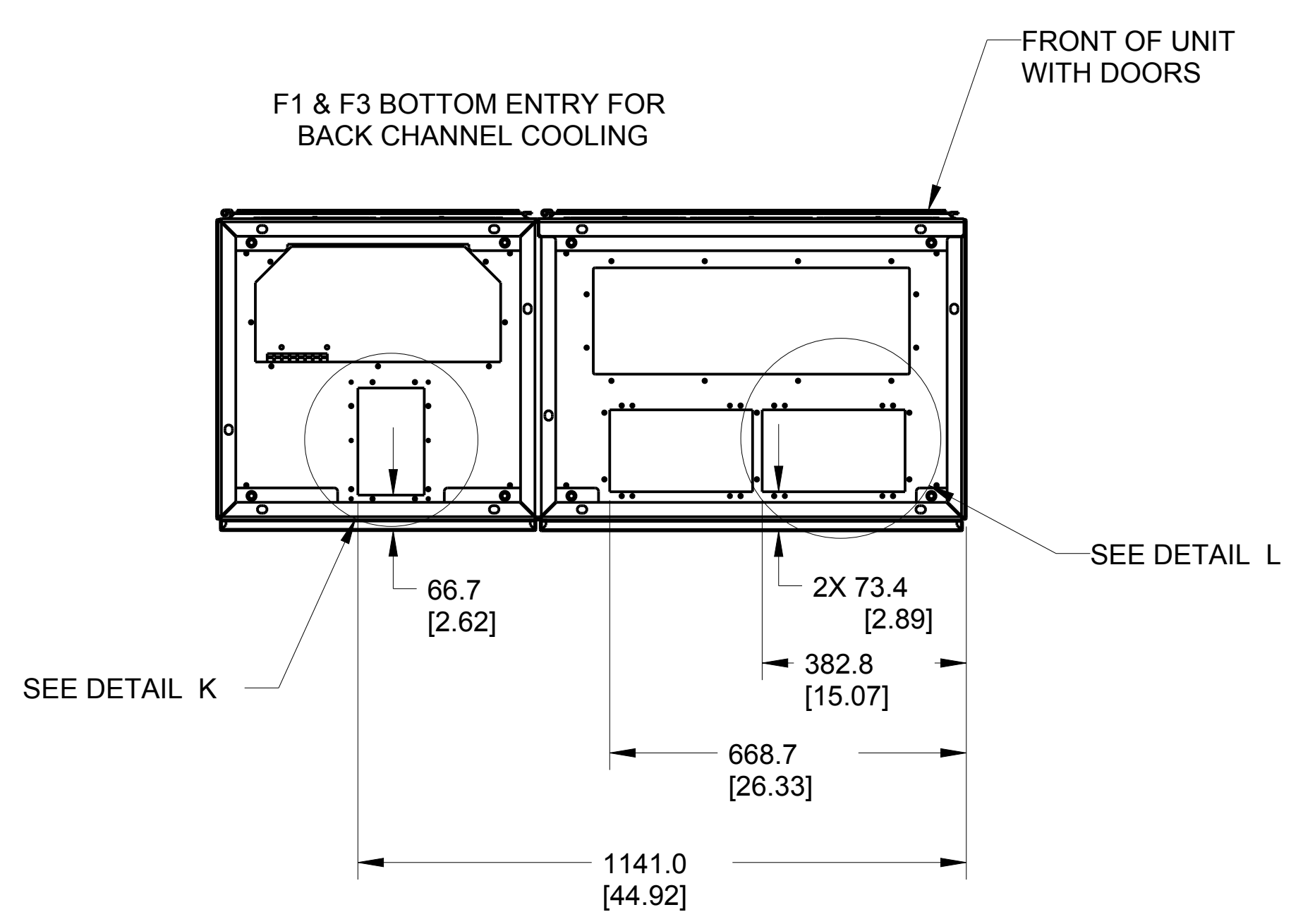
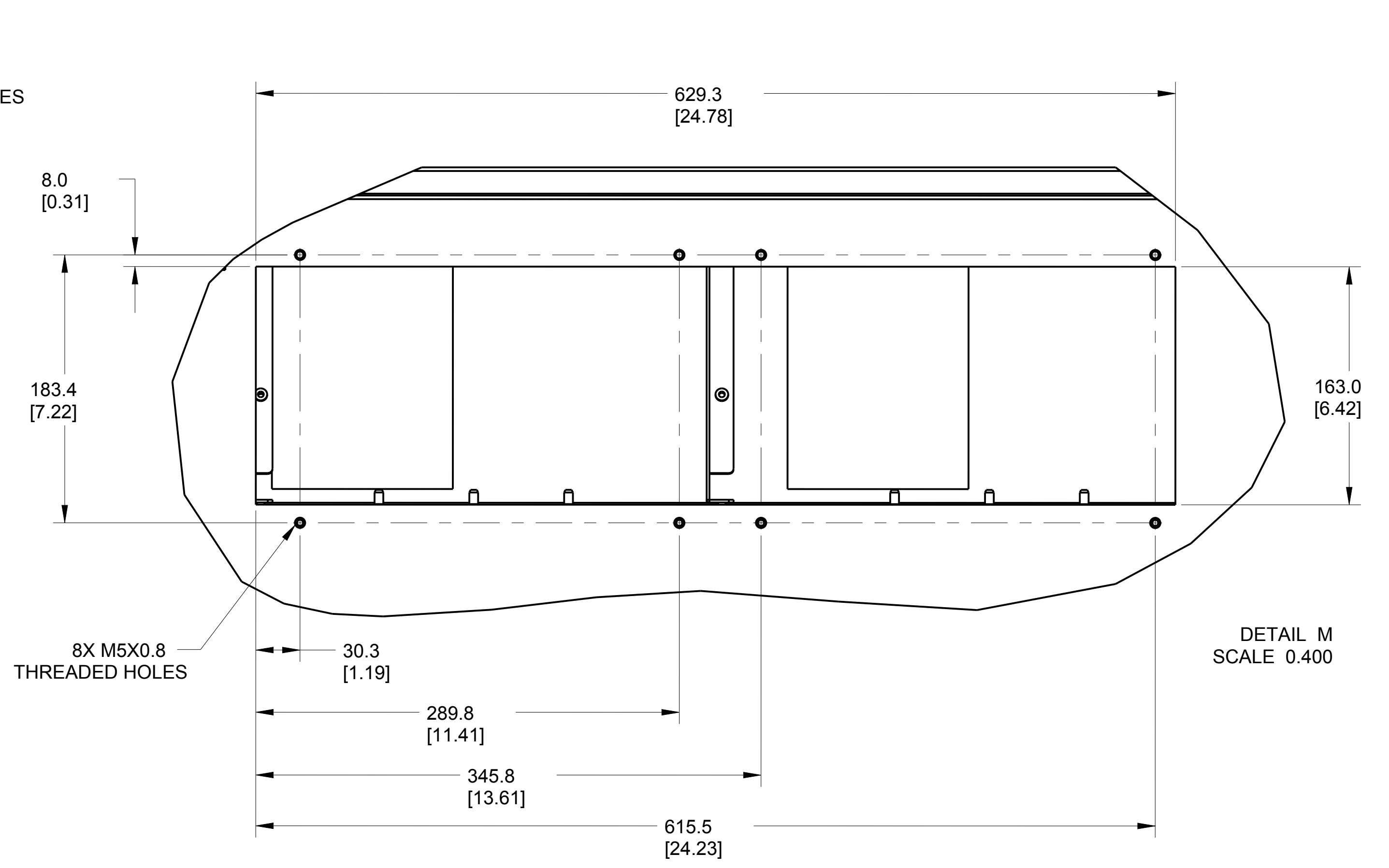
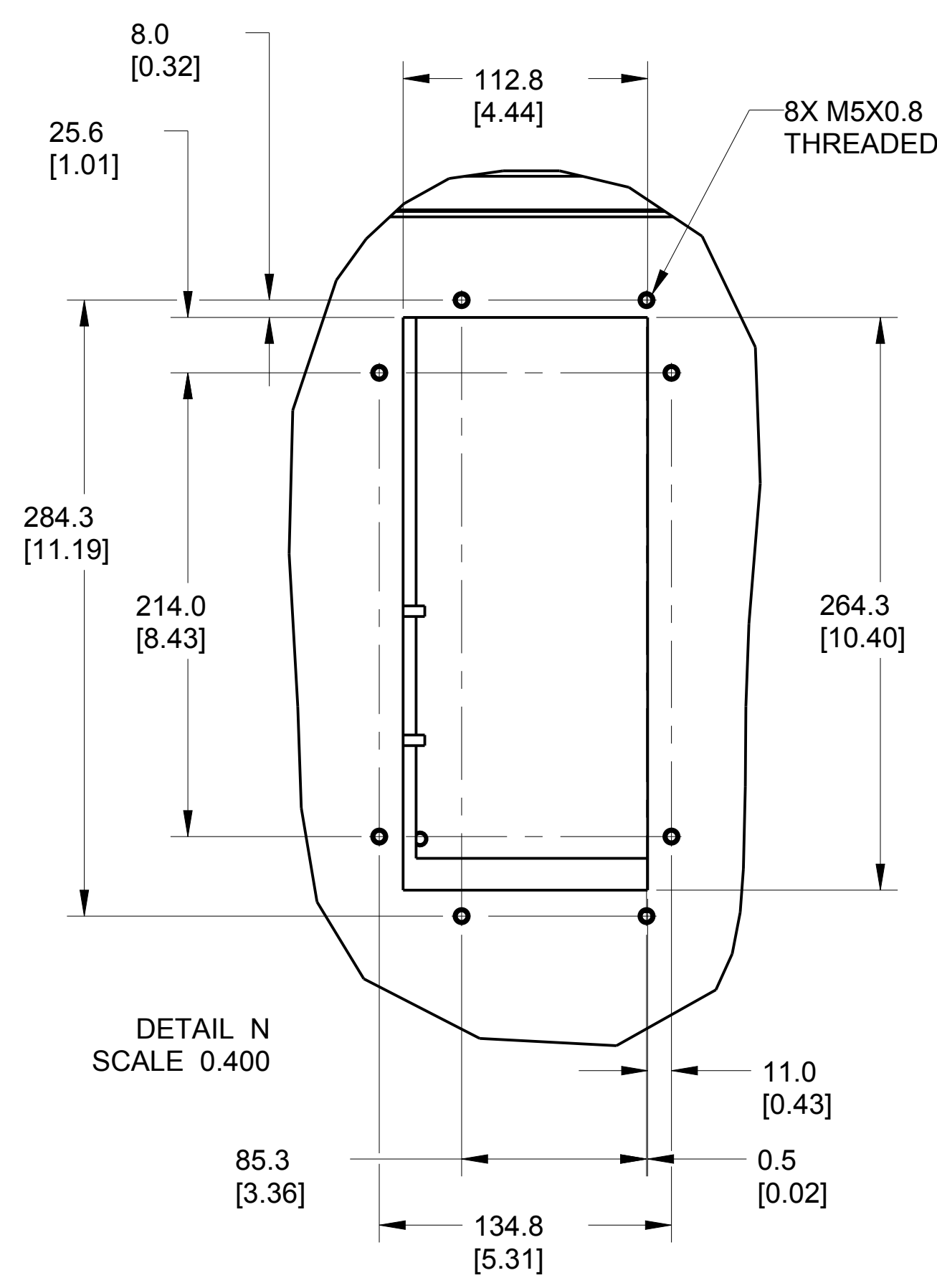
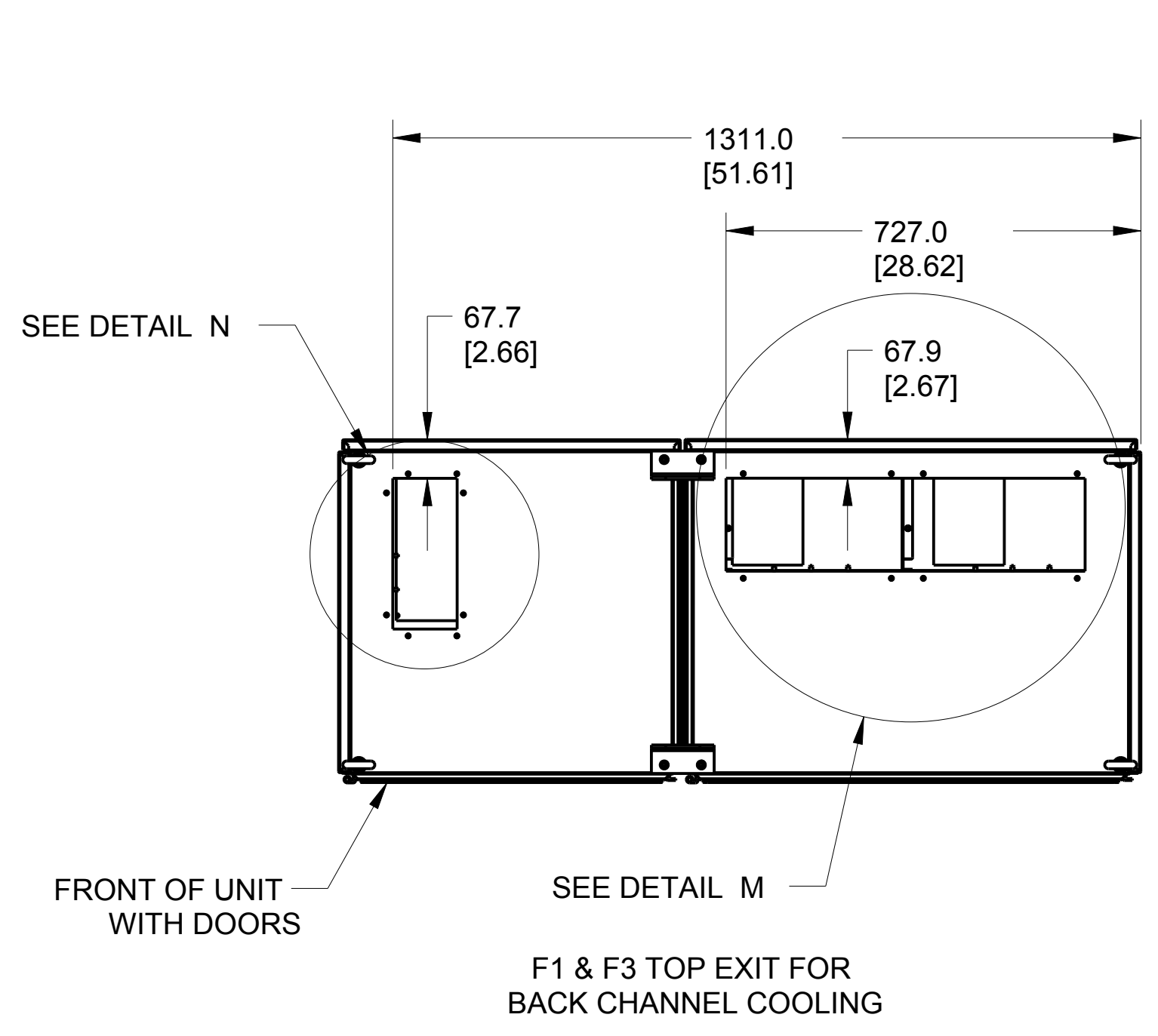
4

3

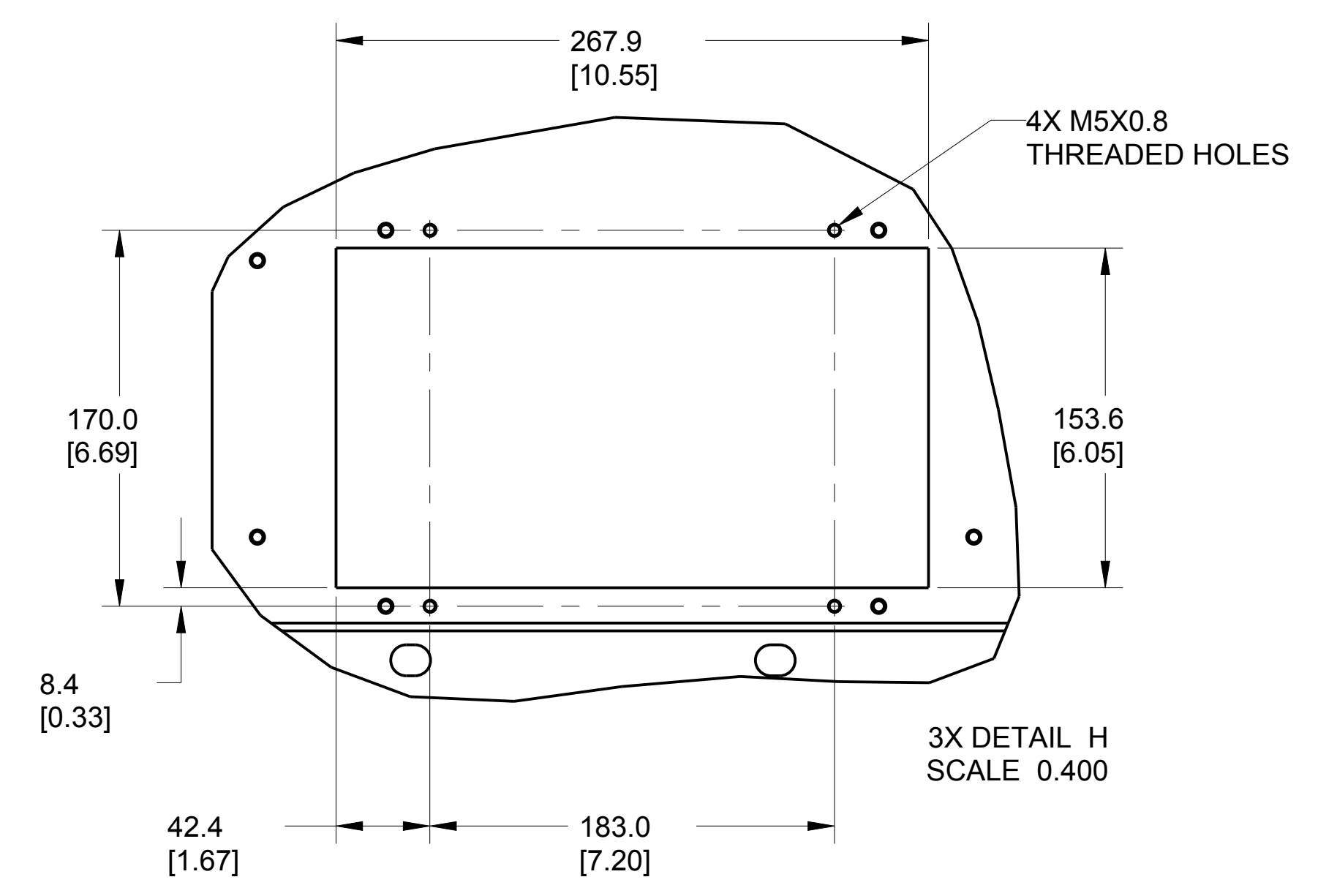
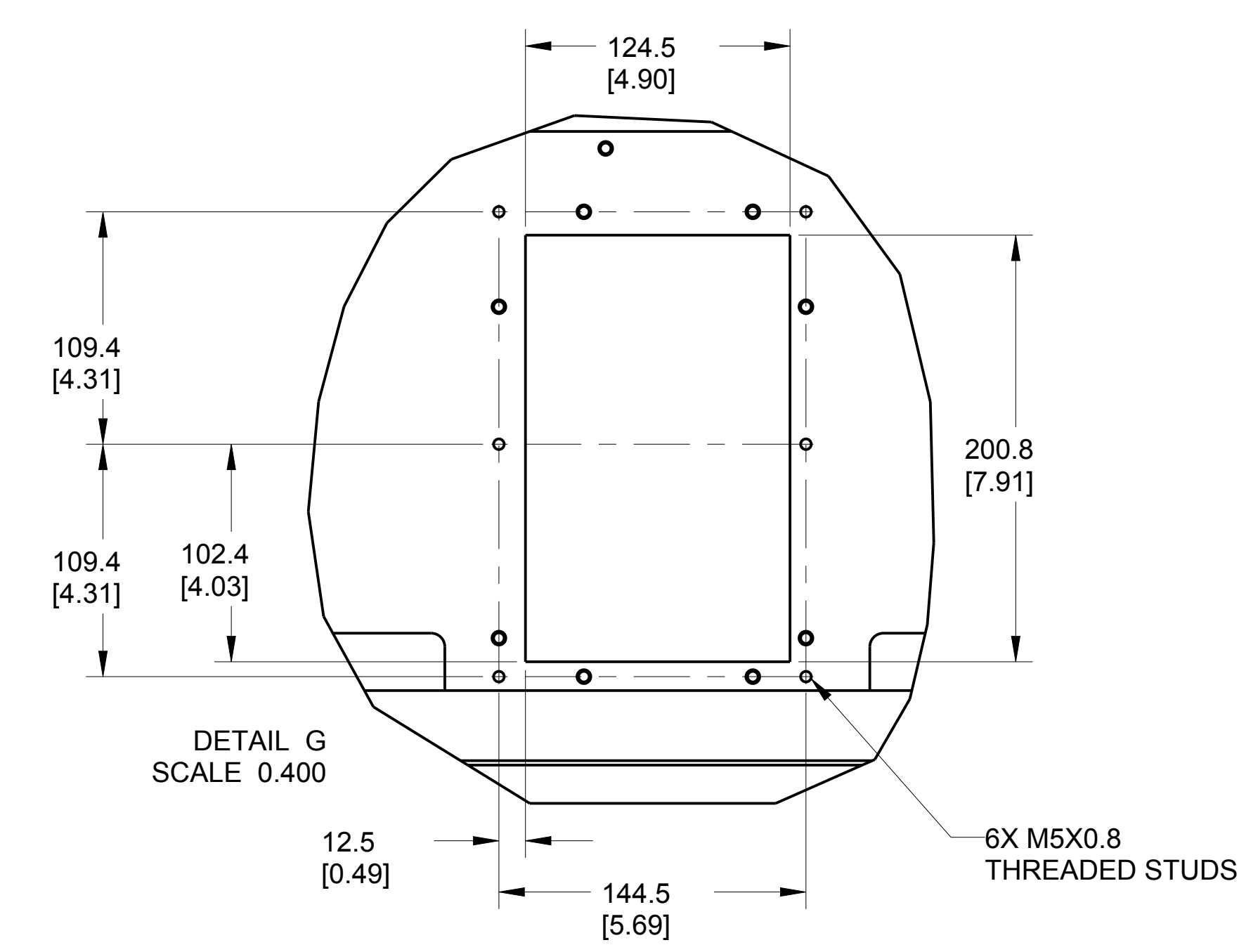
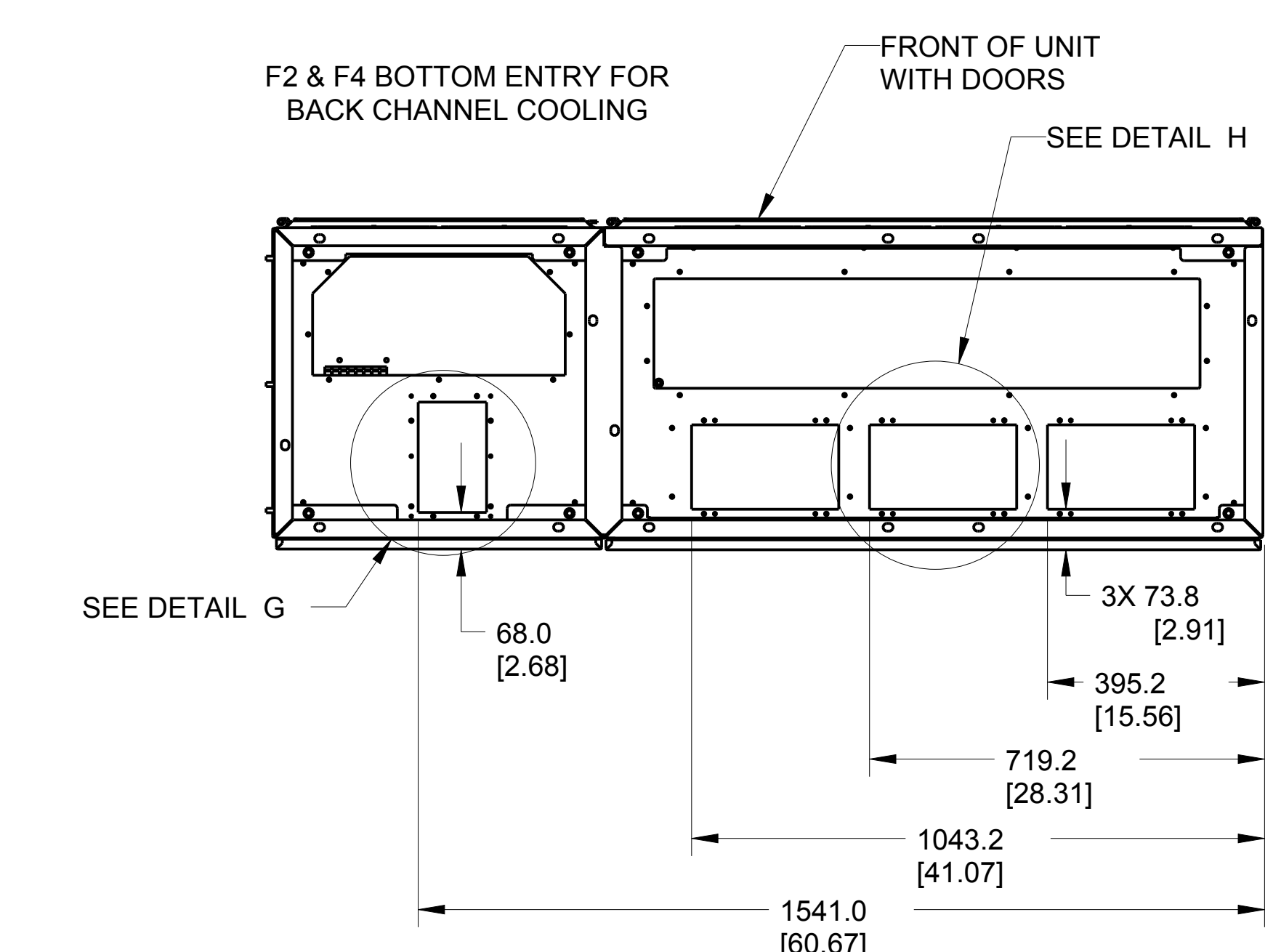
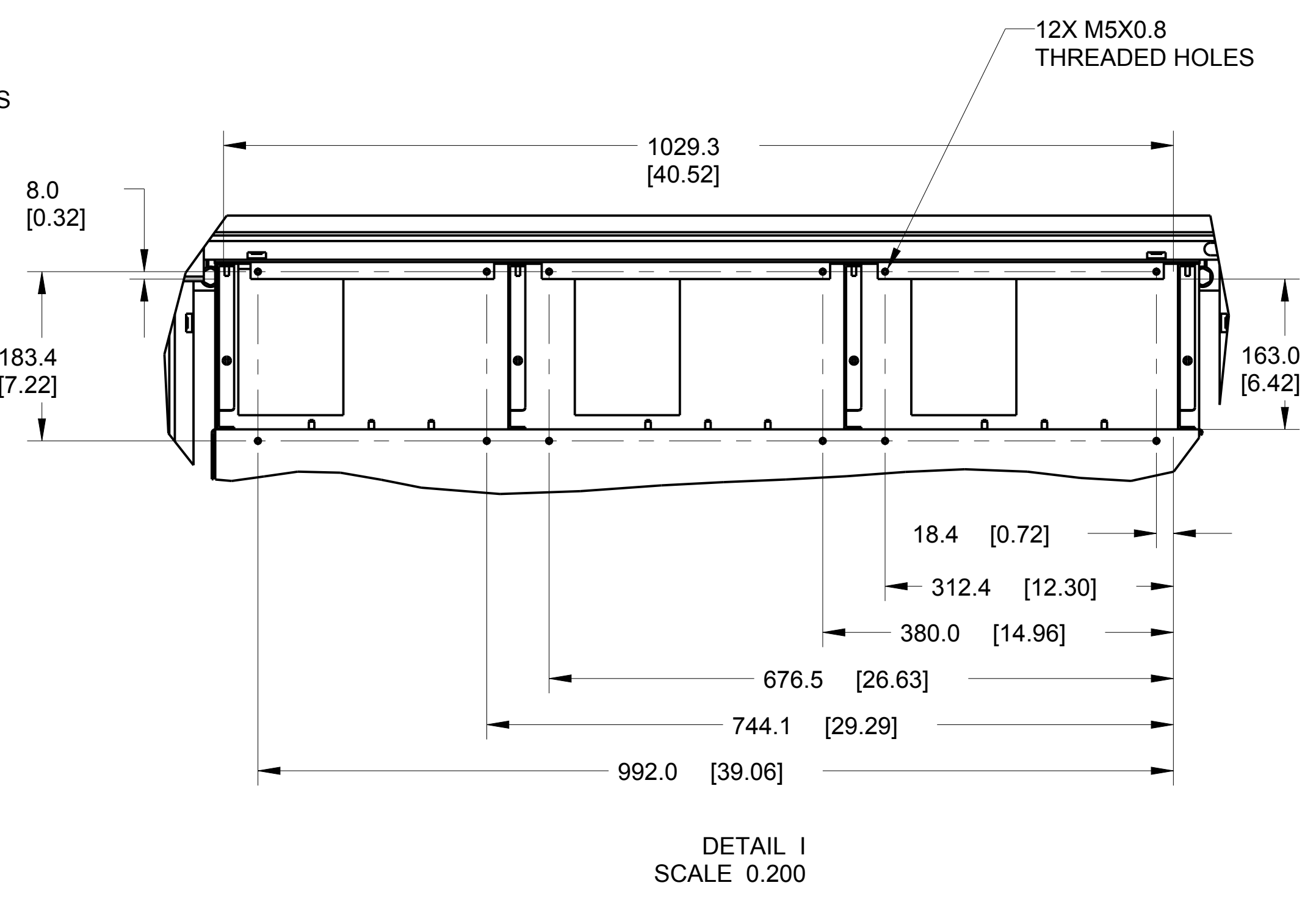
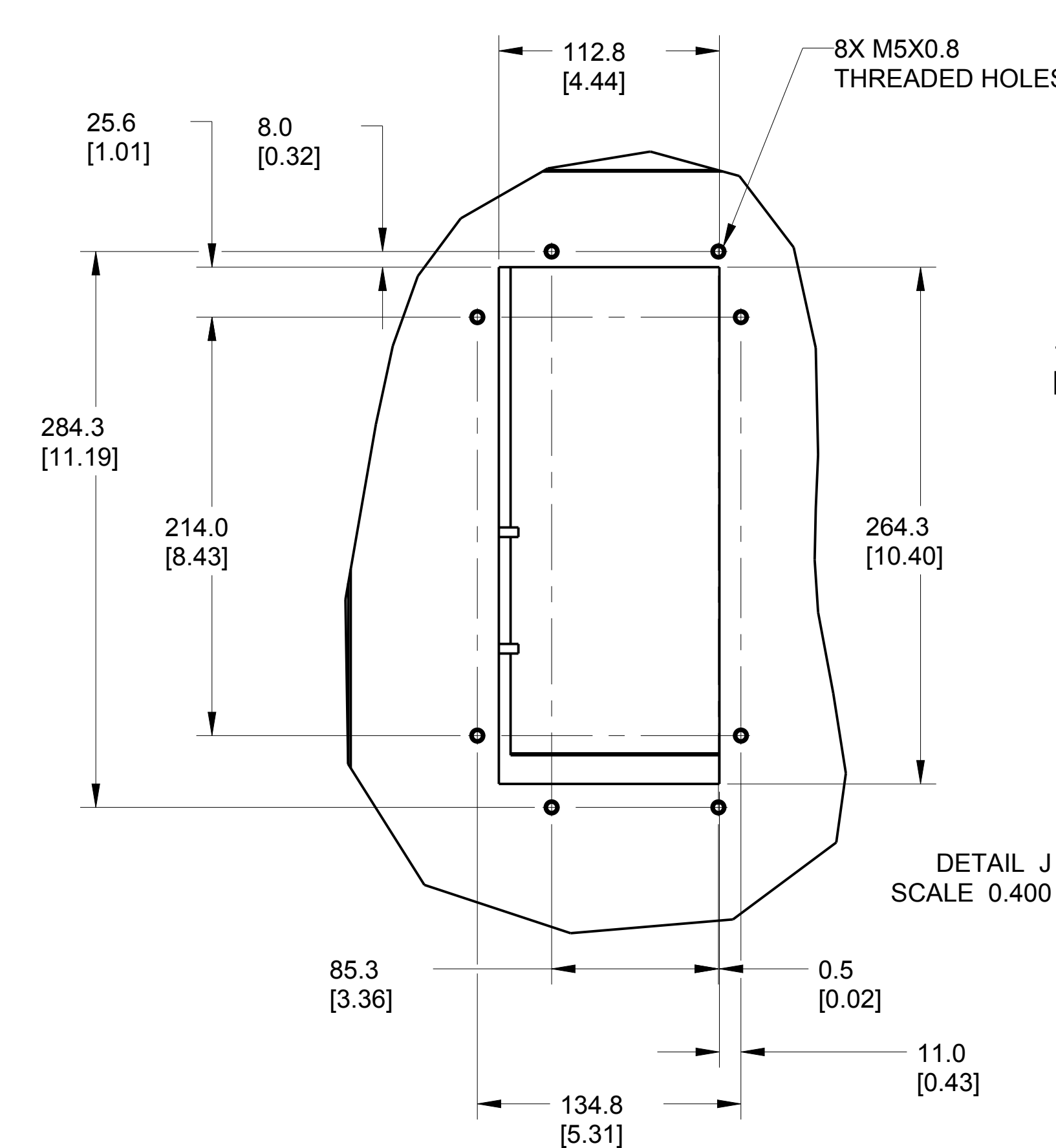
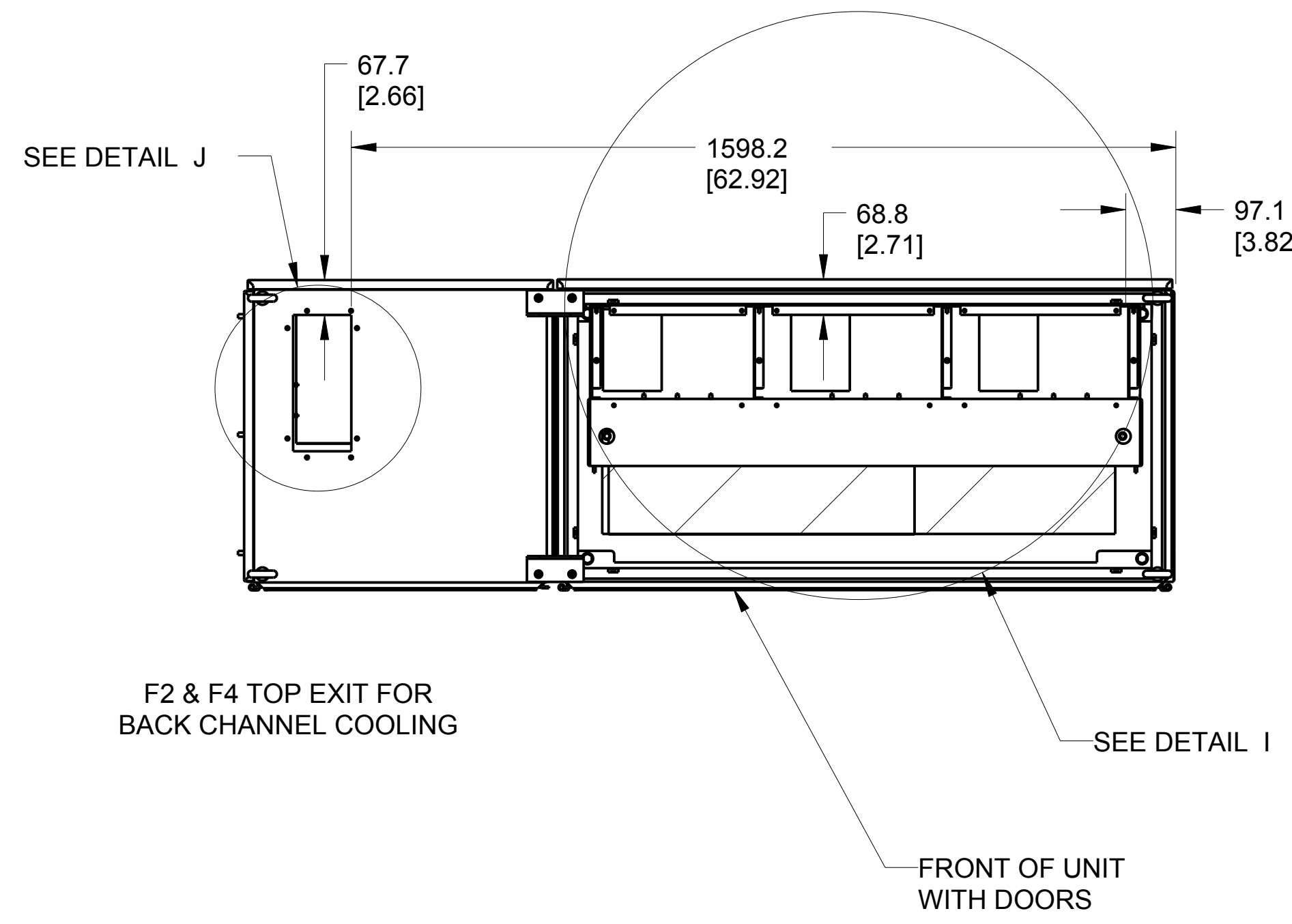
2

1

TITLE		
DWG, REF, MTG INSTRUCTION, F1-F4		
SIZE	MODEL	REV
D	P408-3-SUBMITTAL	007
SCALE	DRAWING NO.	SHEET
0.125	177R0029	6 OF 9



TITLE			DWG, REF, MTG INSTRUCTION, F1-F4		
SIZE	MODEL	REV	SCALE	DRAWING NO.	SHEET
D	P408-3-SUBMITTAL	007	0.100	177R0029	7 OF 9



TITLE		
DWG, REF, MTG INSTRUCTION, F1-F4		
SIZE	MODEL	REV
D	P408-3-SUBMITTAL	007
SCALE	DRAWING NO.	SHEET
0.100	177R0029	8 OF 9

8

7

6

5

4

3

2

1

D

D

C

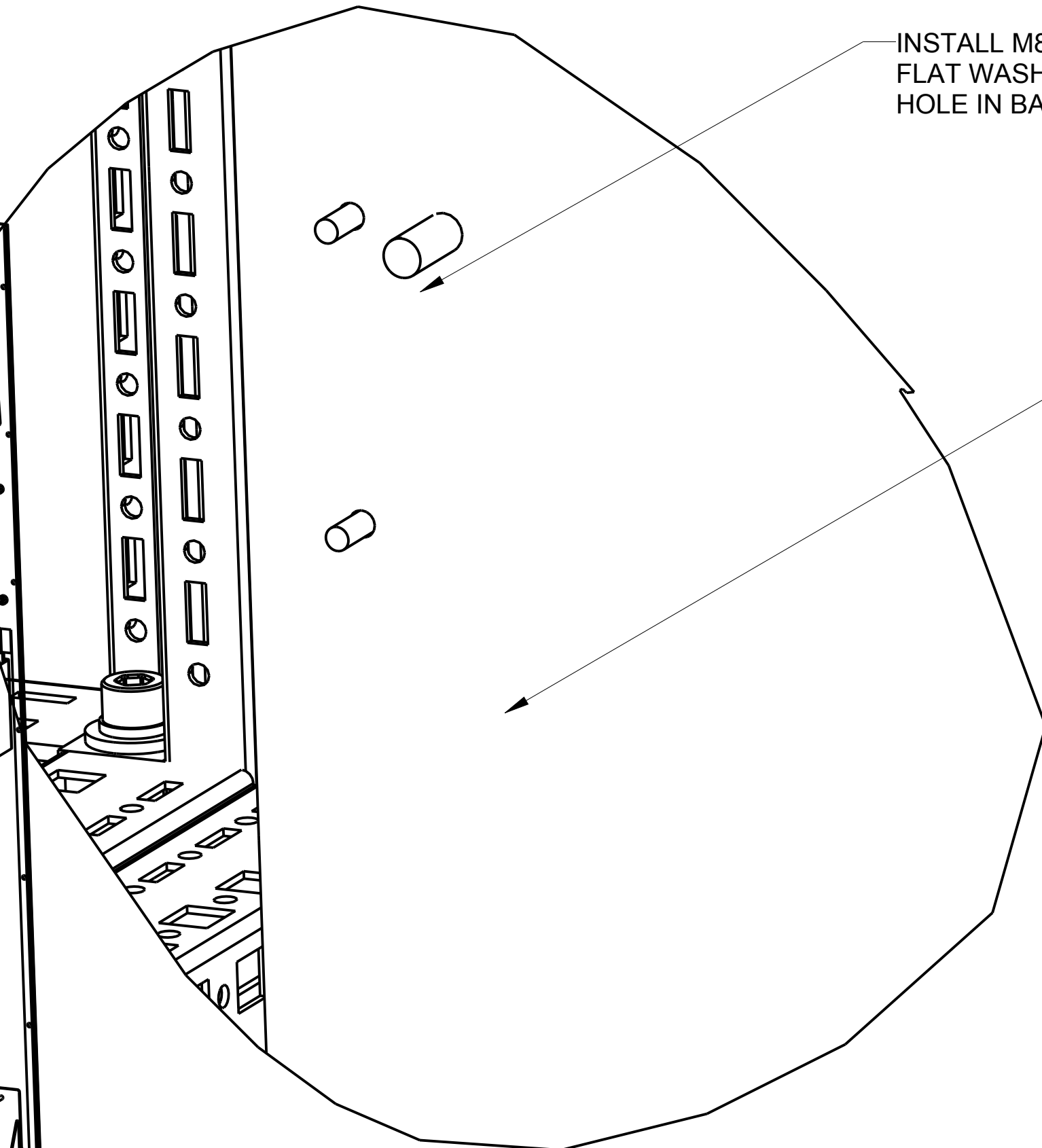
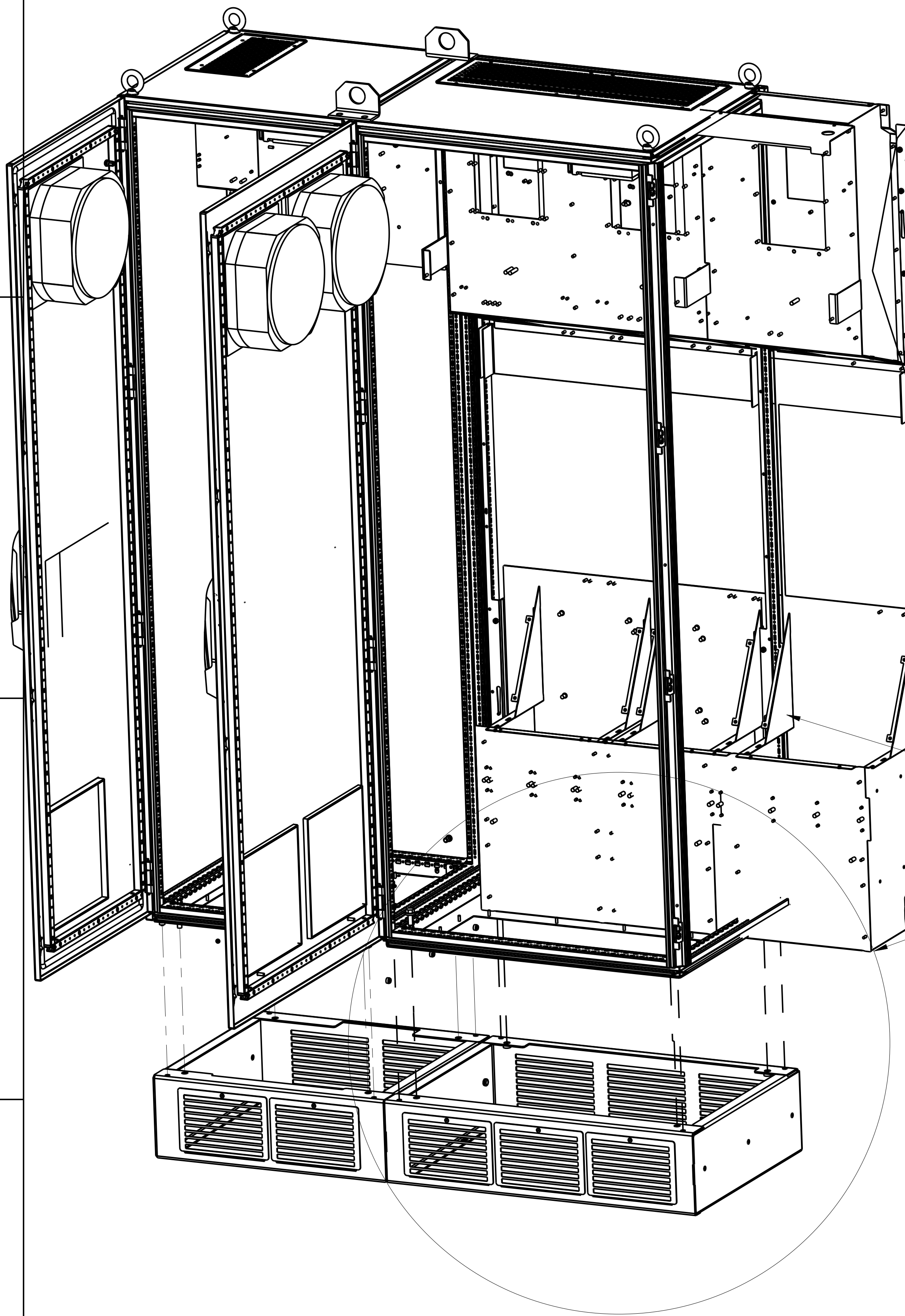
C

B

B

A

A

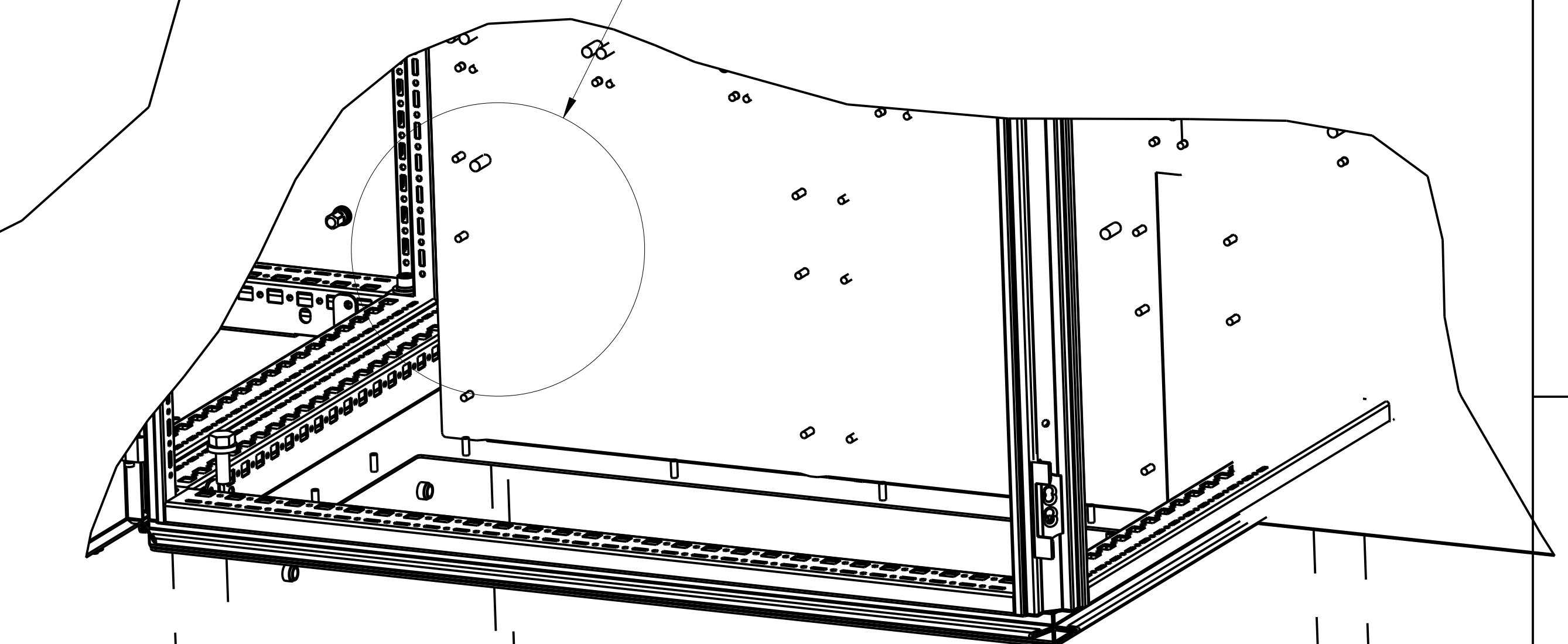


DETAIL F

INSTALL M8X60mm BOLT WITH LOCK WASHER AND FLAT WASHER THROUGH FRAME INTO THREADED HOLE IN BASE. INSTALL 4 BOLTS PER CABINET.

INSTALL M10X30mm BOLT WITH CAPTIVE LOCK WASHER AND FLAT WASHER THROUGH BASE PLATE AND INTO THREADED HOLE IN BASE. INSTALL 4 BOLTS PER CABINET

SEE DETAIL F



SEE DETAIL E

DETAILS FOR MOUNTING
FREQUENCY CONVERTER ONTO BASE

DETAIL E

TITLE		
DWG, REF, MTG INSTRUCTION, F1-F4		
SIZE	MODEL	REV
D	P408-3-SUBMITTAL	007
SCALE	DRAWING NO.	SHEET
0.100	177R0029	9 OF 9

8

7

6

5

4

3

2

1