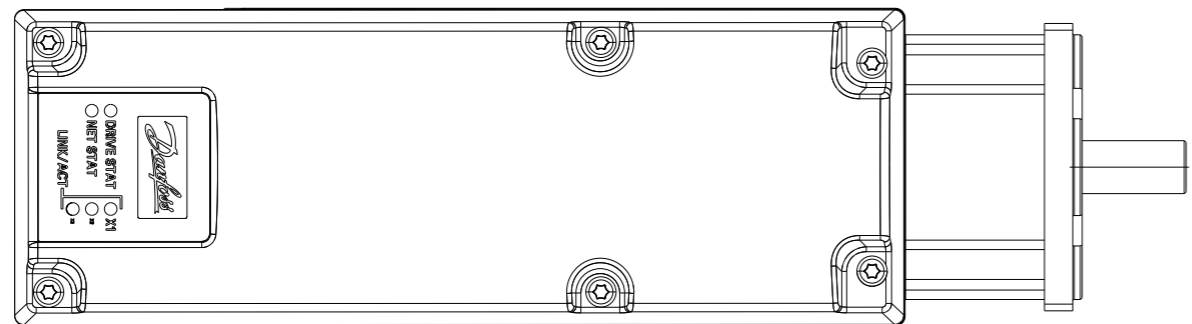
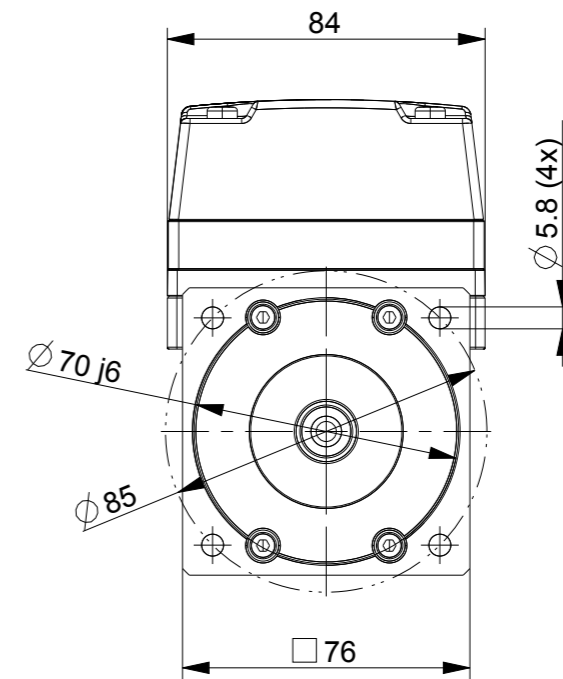
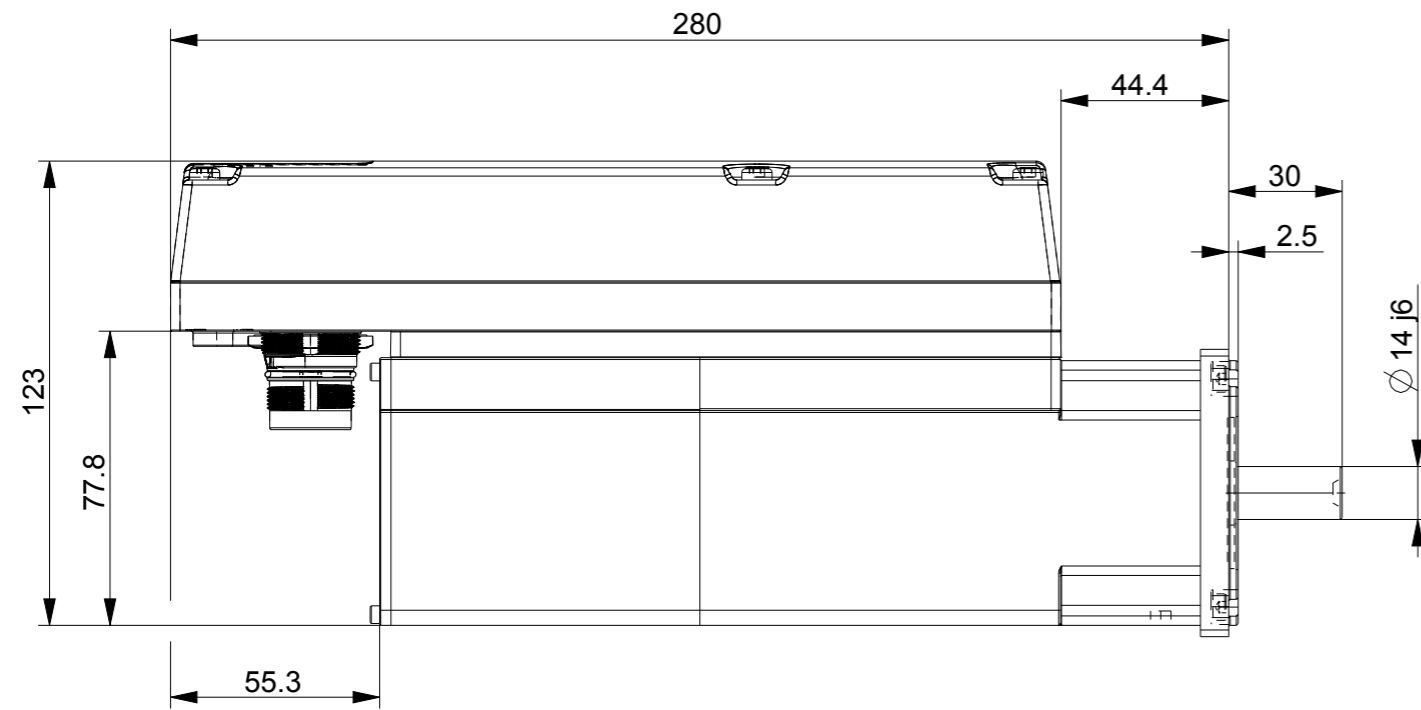


1:5



$\phi 70$	j6	+0.012	70.012
		-0.007	69.993
$\phi 14$	j6	+0.008	14.008
		-0.003	13.997

DIMENSION FIT

Type of document CUSTOMER DRAWING		Designed 12.07.2018	
		Designation ISD 510, Size 1, 1.5 Nm	
		Number MCAD-ISD-510-SIZE1-1.5	Revision 001
Size A3	Scale 1:2	Sheet 1	No. of Sheets 1

Unless otherwise specified the tolerance is 1 mm.  
All dimensions are in mm.

Property of Danfoss A/S, Nordborg, Denmark.  
Two or three dimensional reproduction of contents to be authorized by Danfoss A/S.