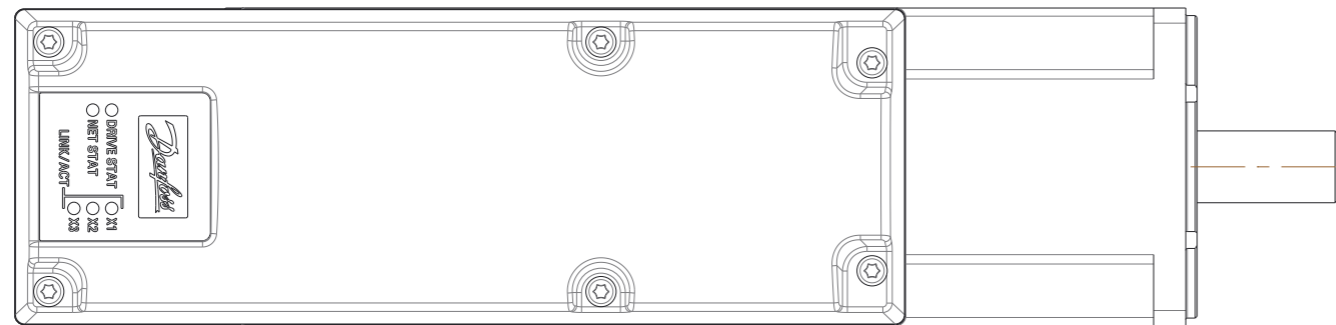
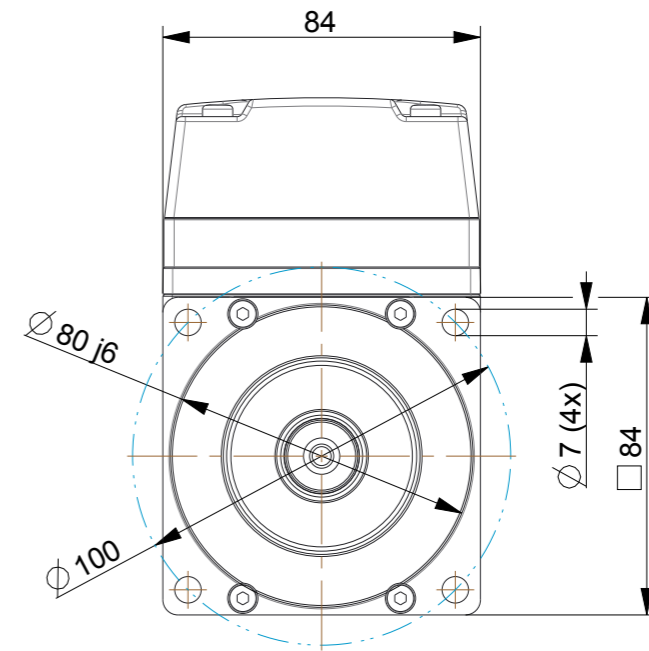
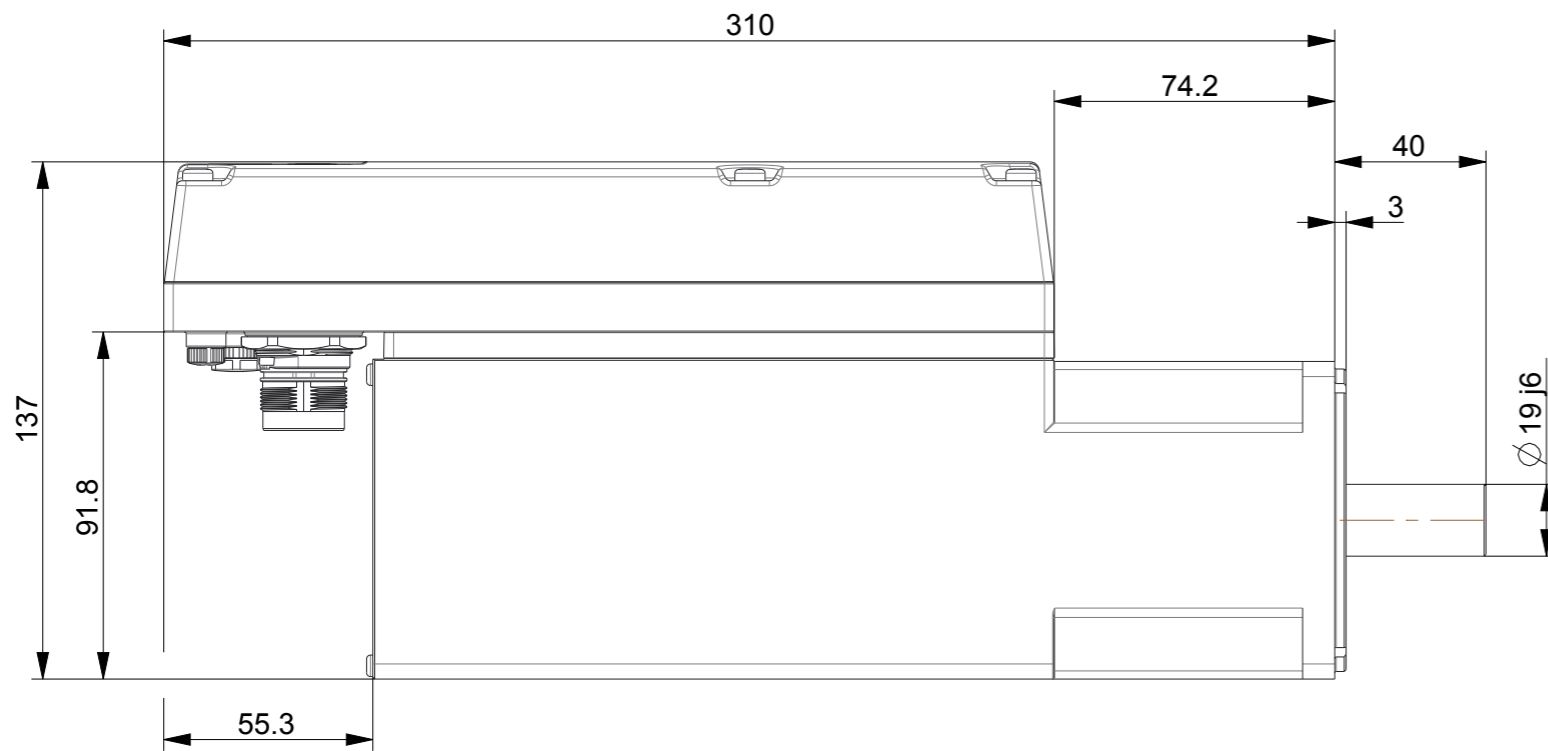



1:5



$\varnothing 80$	j6	+0.012	80.012
		-0.007	79.993
$\varnothing 19$	j6	+0.009	19.009
		-0.004	18.996
DIMENSION		FIT	

Type of document CUSTOMER DRAWING		Designed 12.07.2018	
		Designation ISD 510, Size 2, 3.8 Nm	
		Number MCAD-ISD-510-SIZE2-3.8	Revision 003
Size A3	Scale 1:2	Sheet 1	No. of Sheets 1

Unless otherwise specified the tolerance is 1 mm.
All dimensions are in mm.

Property of Danfoss A/S, Nordborg, Denmark.
Two or three dimensional reproduction of contents to be authorized by Danfoss A/S.