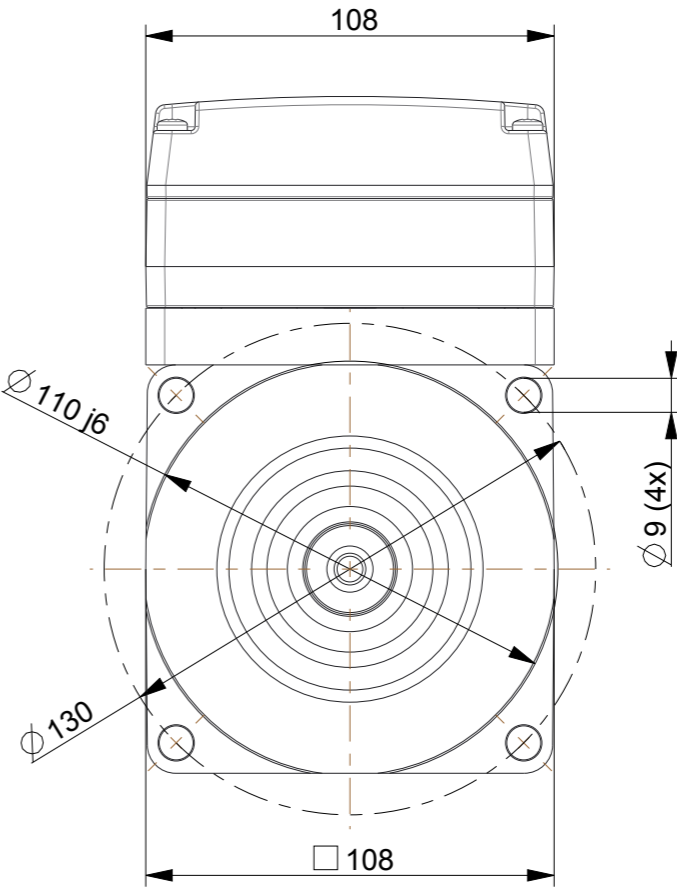
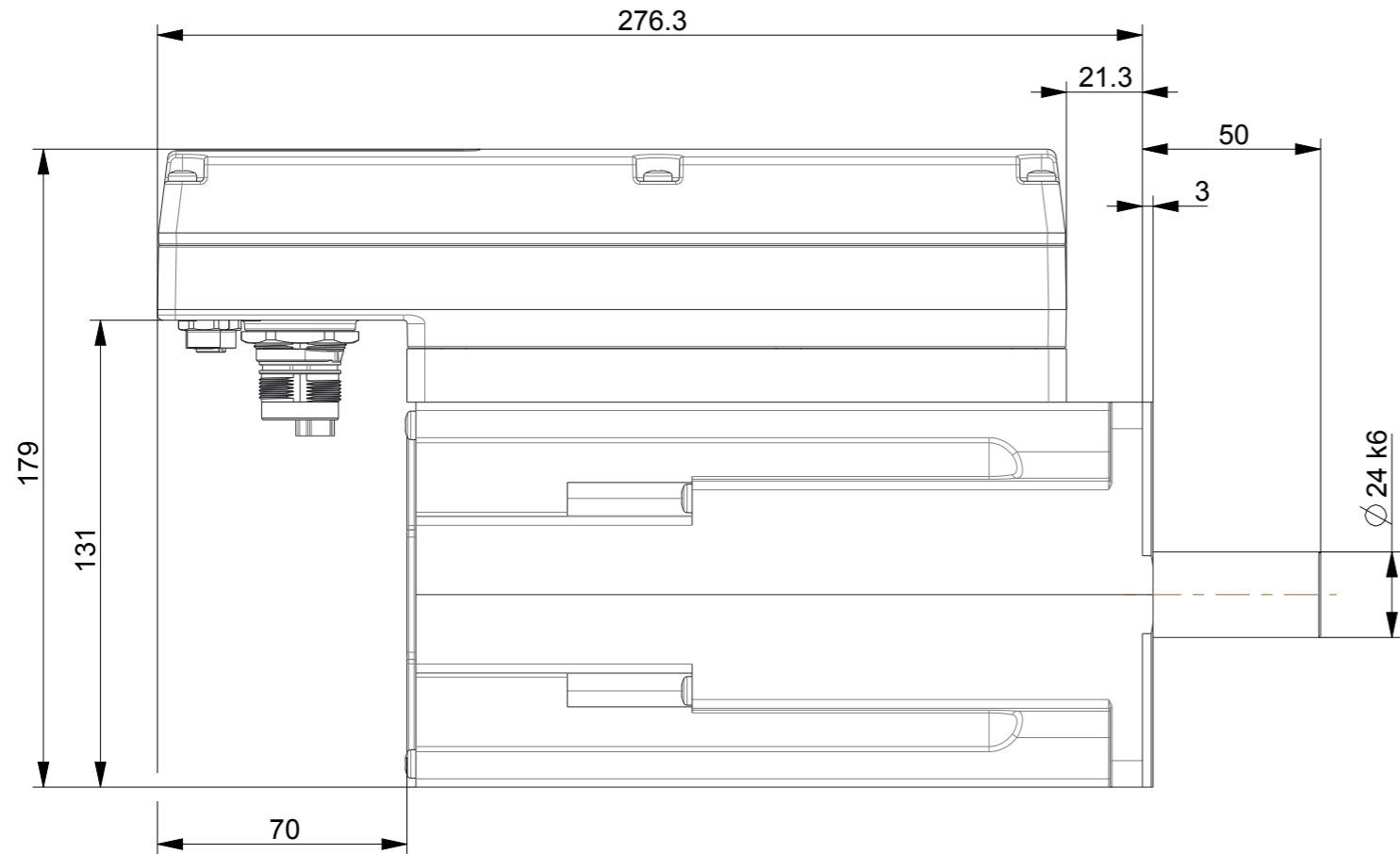



1:5



Ø 110	j6	+0.013	110.013
		-0.009	109.991
Ø 24	k6	+0.015	24.015
		+0.002	24.002

DIMENSION FIT

Type of document CUSTOMER DRAWING		Designed 12.07.2018	
		Designation ISD 510, Size 3, 5.2 Nm	
		Number MCAD-ISD-510-SIZE3-5.2	Revision 001
Size A3	Scale 1:2	Sheet 1	No. of Sheets 1

Unless otherwise specified the tolerance is 1 mm.
All dimensions are in mm.

Property of Danfoss A/S, Nordborg, Denmark.
Two or three dimensional reproduction of contents to be authorized by Danfoss A/S.