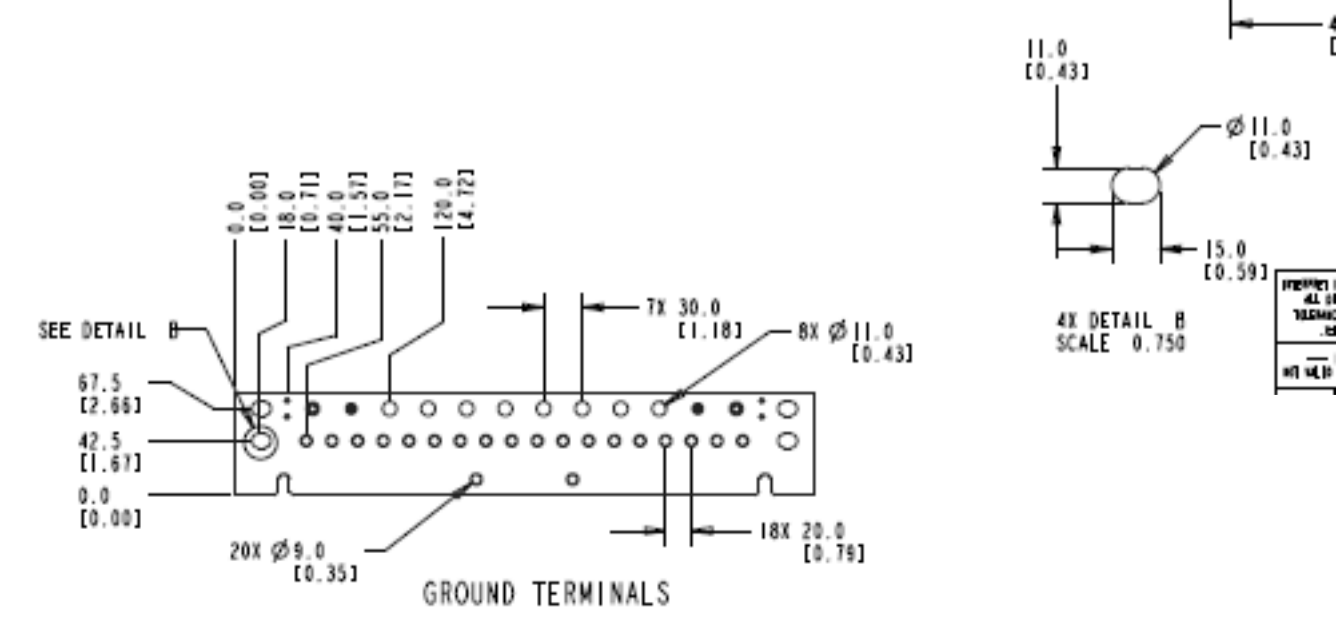


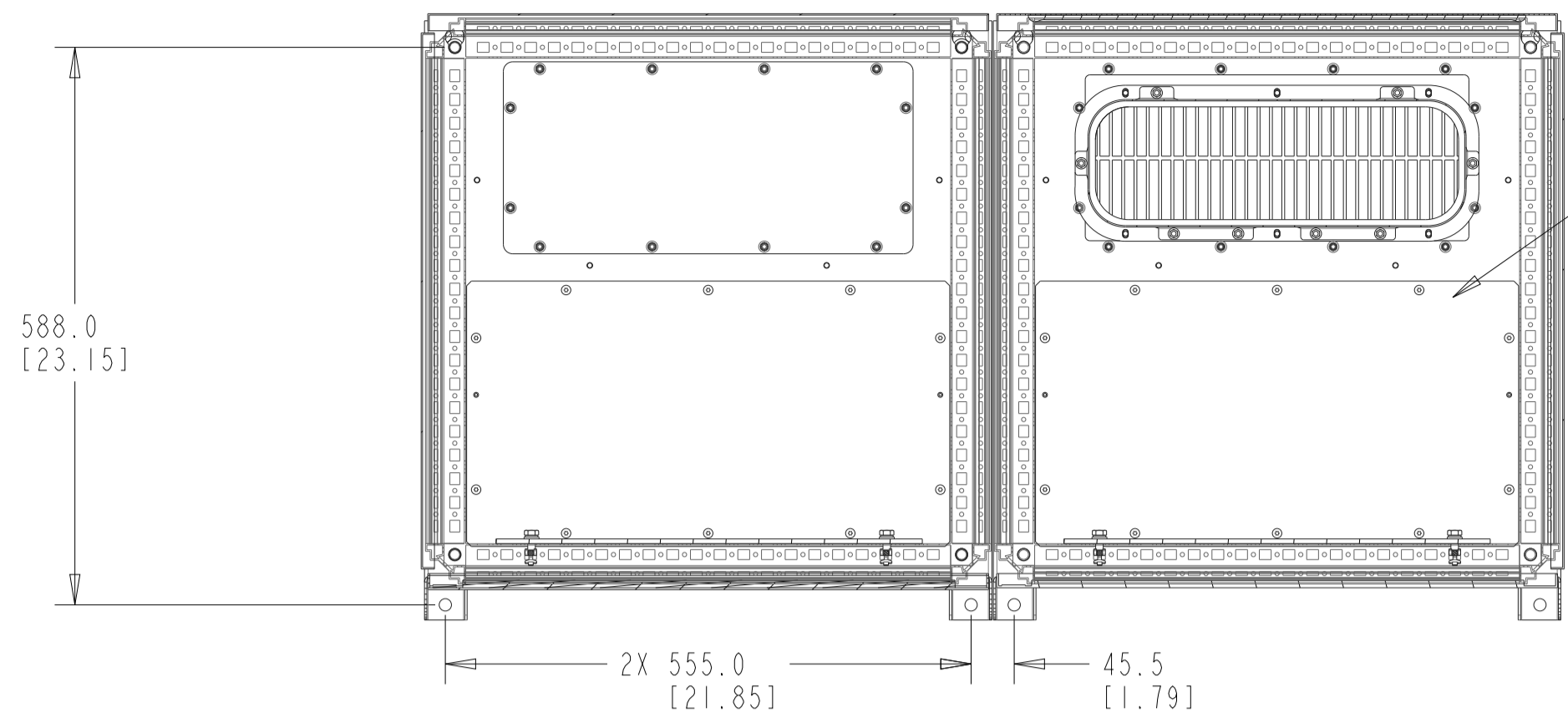
CONTROL COMPARTMENT DOOR IS NOT SHOWN IN THE DRAWING FOR SHOWING INTERNAL COMPONENTS IN CONTROL COMPARTMENT ONLY CONTROL COMPARTMENT UNIT IS SHOWN FOR BETTER CLARITY

NOTE:
1. BACK CHANNEL COOLING: BOTTOM IN TOP OUT
2. CABLE FEED: BOTTOM ENTRY & BOTTOM OUT
3. PLINTH HEIGHT CAN BE OF 100, 200, & 400mm HEIGHT.

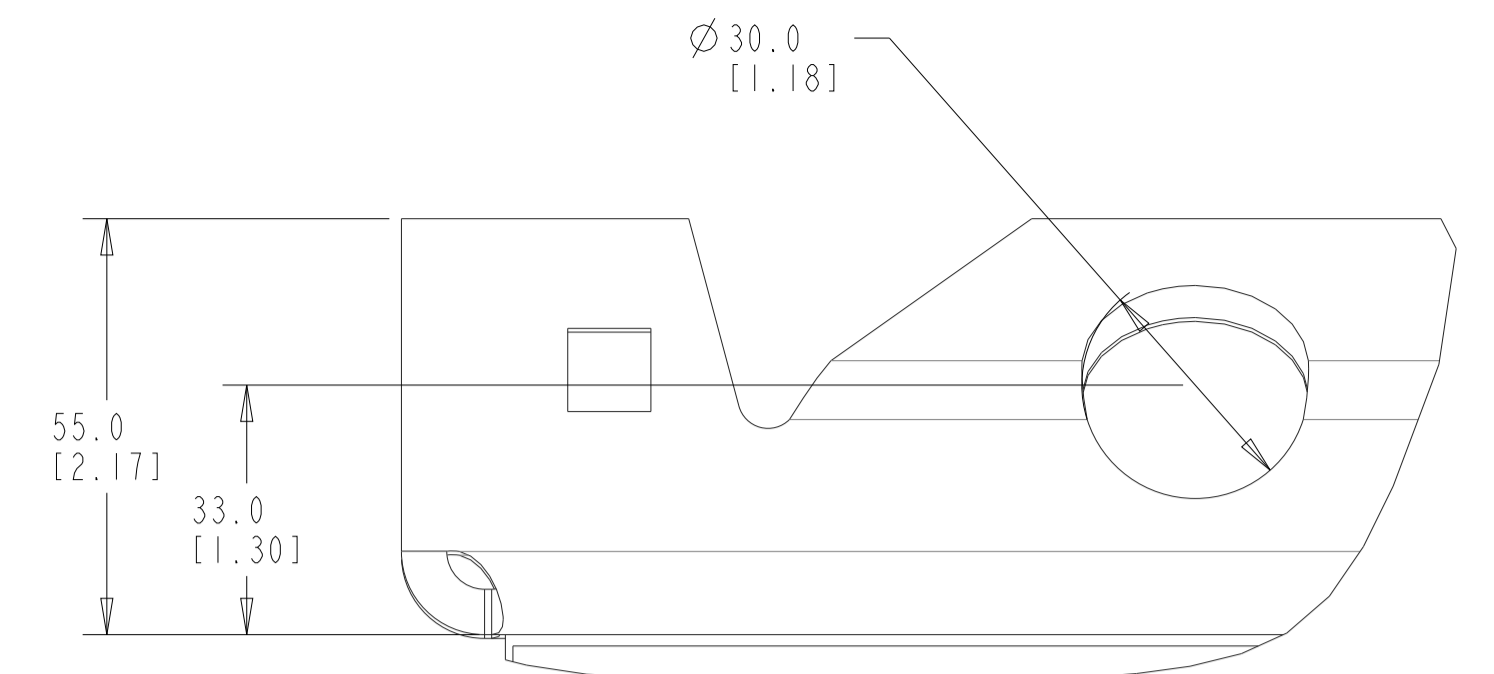
CRITICAL CHARACTERISTICS
KEY CHARACTERISTICS
INSPECTION
MUST COMPLY TO ROHS DIRECTIVE 2011/65/EU



INTERPRET DIM. & TOL. PER ASME Y14.5M-1994 ALL DIMENSIONS ARE IN MILLIMETERS TOLERANCES UNLESS OTHERWISE SPECIFIED ±1.0 ±0.50 ±1.0		THIRD ANGLE PROJECTION	SCALE 0.150	SIZE A1	MATERIAL
NOT VALID WITHOUT FROZEN DATE IN ID STAMP				FINISH	
CHANGED	SABARRISH			MAY-25-19	DESCRIPTION
DESIGNED	Louvi	JAN-25-19	MCAD-PLV-ESH-IP54 -CIRCUITBREAKER		
CHECKED			REVISION		
CONFIDENTIAL: PROPERTY OF DANFOSS A/S NORBORG, DENMARK. NOT TO BE HANDED OVER TO BE COPIED OR BE USED BY A THIRD PARTY. TWO OR THREE DIMENSIONAL REPRODUCTION OF CONTENTS TO BE AUTHORIZED BY DANFOSS A/S.			REVISION	132R0264	REV 002 SHEET 1 OF 3



SECTION A-A



8X DETAIL A
SCALE 1.000

