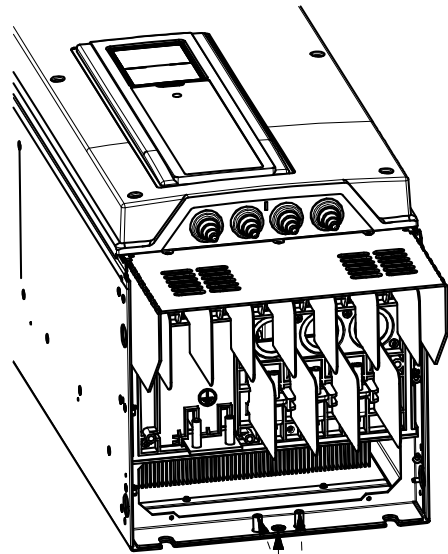
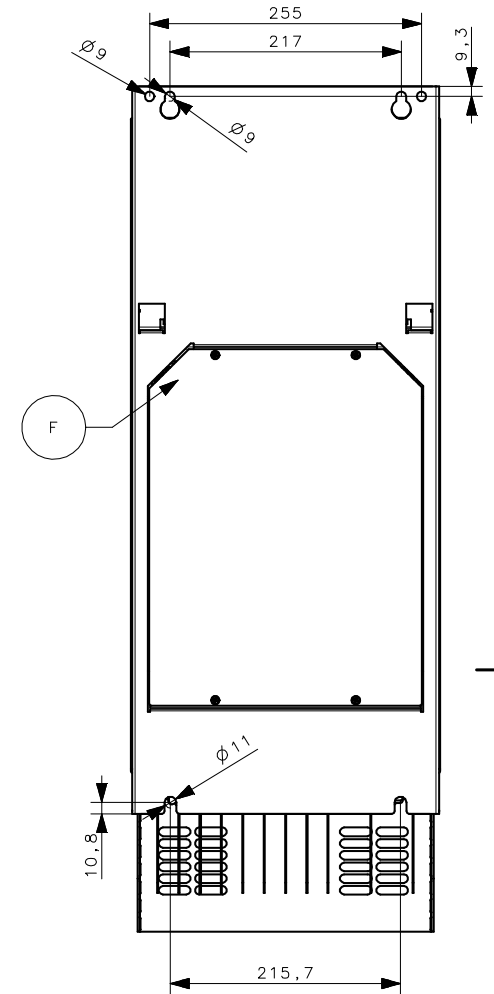
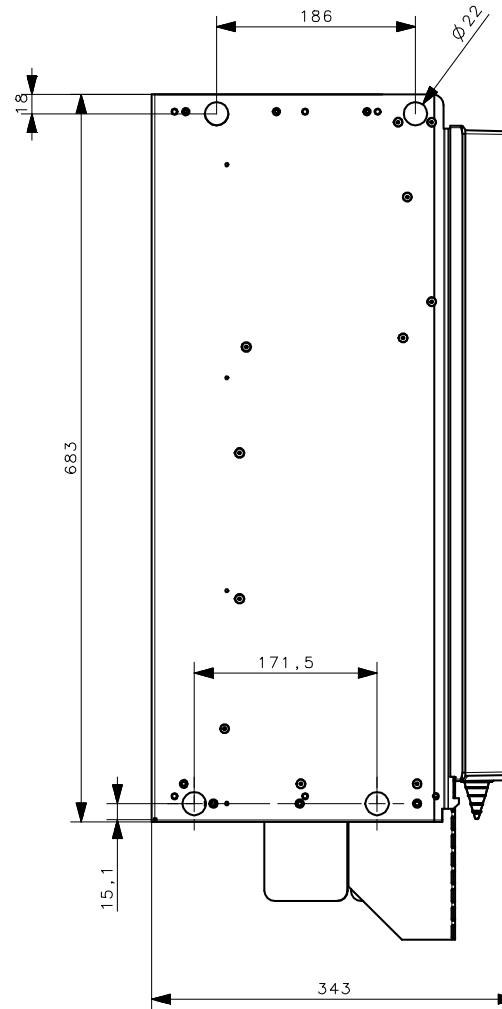
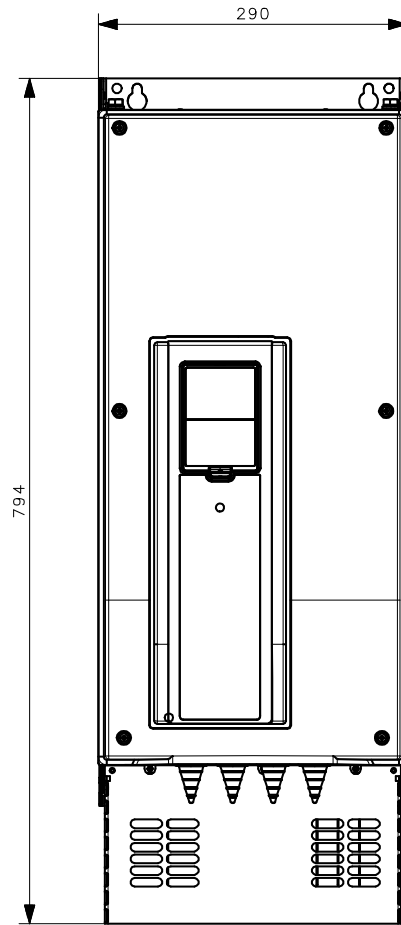


C/Update the drawing/01-11-2012/GiSh D/Document update/9.1.2013/RDVJcMk  
 F/Sub parts view updated & Sheet 3 removed/16.04.2020/Sugan



GND Symbol | GND M8

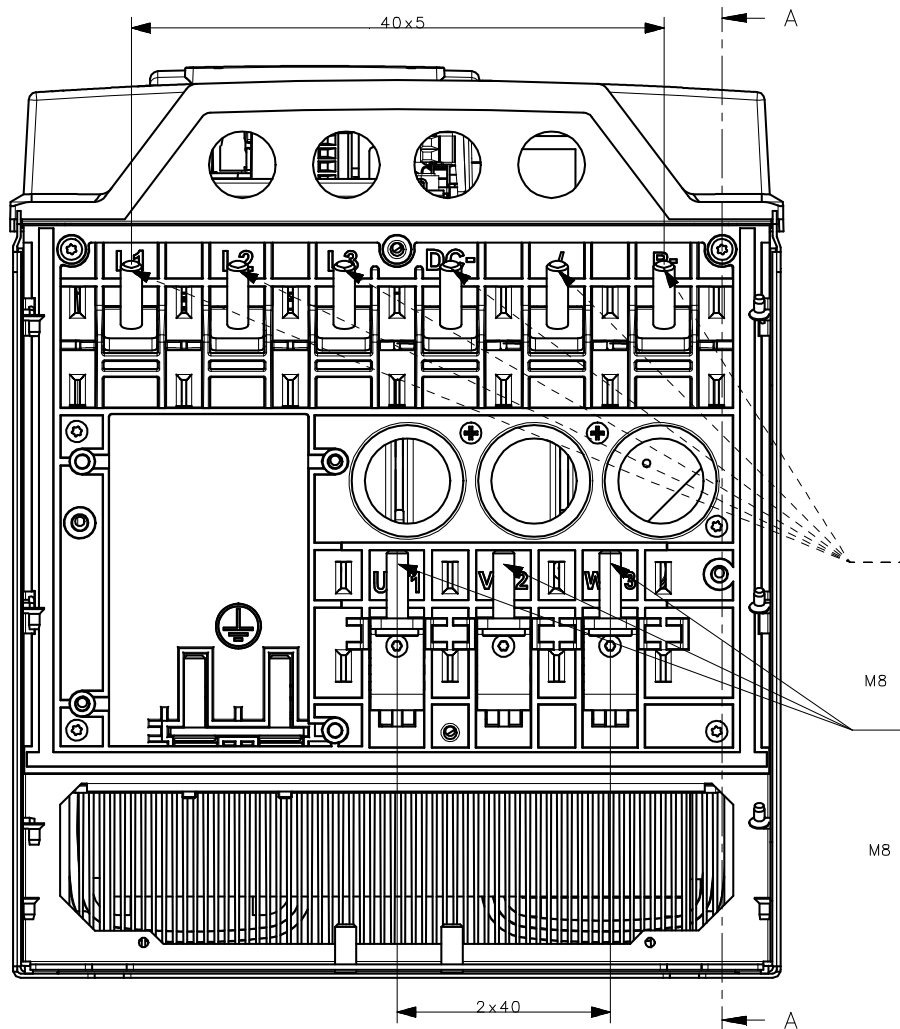


- ⊙ Critical Characteristics
- ▽ Key Characteristics
- Inspection Characteristics
- ⊗ Measured when requested

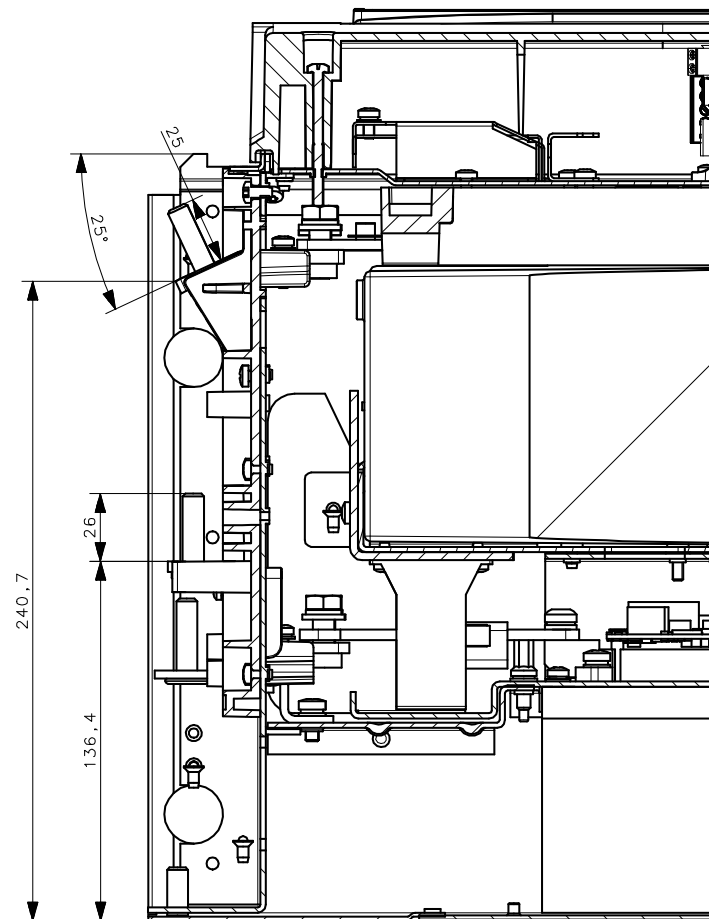
Must Comply to RoHS Directive 2011/65/EU and 2015/863/EU

All dimensions are in Millimeters Unspecified tolerance according to:		Projection 	Scale 1:1	Size A3	Material:
					Finish:
					Designation / Name  MR8_Dimensional_Drawing_IP00
Replace					
Designer	L. Aro 18.3.2009				
Modifier	Sugan 16.4.2020				
Confidential: Property of Danfoss and its subsidiaries. Not to be copied, handed over to or used by third party. Two- or three dimensional reproduction of content to be authorized by Danfoss Drives A/S					Drawing Number 70CMC004.00 Model REV F Sheet 1 of 2

C/Update the drawing/01-11-2012/GiSh D/Document update/9.1.2013/RDV/JoMu  
 F/Sub parts view updated & Sheet 3 removed/16.04.2020/Sugan



SECTION A-A



- ⊙ Critical Characteristics
- ▽ Key Characteristics
- Inspection Characteristics
- ⊗ Measured when requested

Must Comply to RoHS Directive 2011/65/EU and 2015/863/EU

All dimensions are in Millimeters Unspecified tolerance according to:		Projection 	Scale 1:1	Size A3	Material:
					Finish:
					Designation / Name MR8_Dimensional_Drawing_IP00
Replace					
Designer	L. Aro 18.3.2009				
Modifier	Sugan 16.4.2020				
Confidential: Property of Danfoss and its subsidiaries. Not to be copied, handed over to or used by third party. Two- or three dimensional reproduction of content to be authorized by Danfoss Drives A/S				Drawing Number 70CMC004.00	REV F
				Model	Sheet 2 of 2