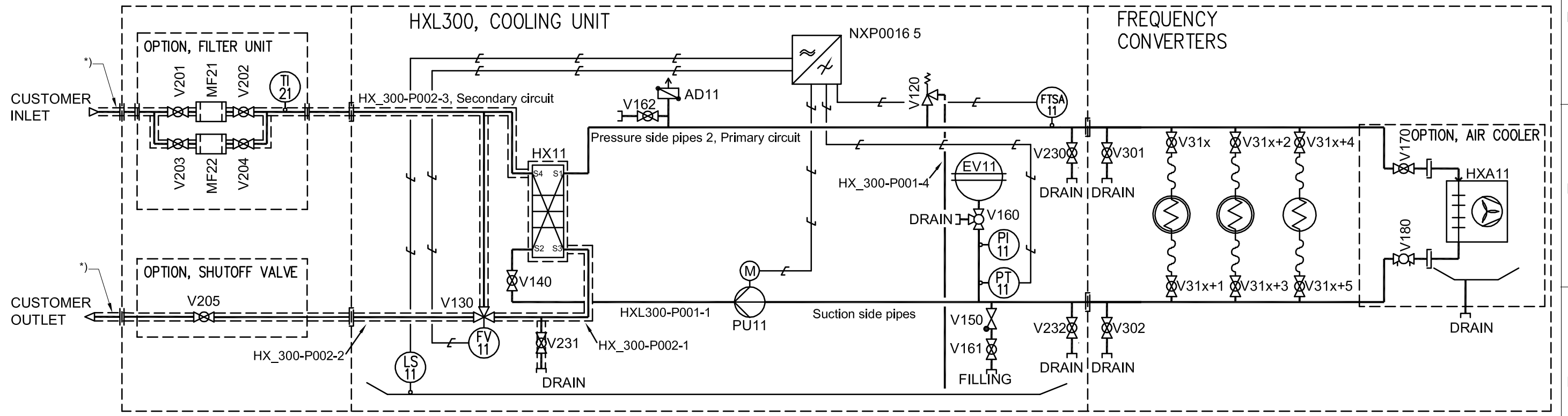


Reproduction, use or disclosure to third party is forbidden. All rights reserved.

*) To be cold insulated, e.g. with polyethylene, if the temperature of the liquid in the secondary circuit is lower than the ambient temperature and the relative humidity is high.

Code	Pcs.	Material	Note.	Name	Nominal pressure
PU11	1	AISI304 / 316	Vacon delivery	Pump Kolmeks KL-50-160, 3x400V /50 Hz, 7.5kW, 15A	PN10
HX11	1	AISI316 / Cu-brazed	Vacon delivery	Plate heatexchanger DN80	PN16
HXA11	1	Cu / Al	Vacon delivery (option)	Water/Air heatexchanger 3/4"	-
EV11	1	AISI304 / Butyl	Vacon delivery	Pressure vessel 3/4", pre-pressured to 100kPa, cap.18 litre Connection stainless steel, inside vessel epoxy coating, butyl diaphragm	PN10
MF21..22	2	-	Vacon delivery (option)	Y-Strainer	-
AD11	1	AISI304 / 316	Vacon delivery	Automatic de-airing unit G 3/8"	PN16
FTSA11	1	AISI304 / 316	Vacon delivery	Flowswitch G 1/2", with analog temperature outlet	PN60
PI11	1	AISI304 / 316	Vacon delivery	Pressure indicator G 1/4", 0-10 bar	PN20
PT11	1	AISI304 / 316	Vacon delivery	Pressure transmitter G 1/4", 0-10 bar	PN20
TI21	1	-	Vacon delivery (option)	Temperature indicator 1/2", 0-60°C	-
LS11	1	-	Vacon delivery	Leakage switch 24V AC/DC, 70mA	-
V120	1	AISI304 / 316	Vacon delivery	Safety valve R 1/2", reliefpressure 6bar Body bronze, nozzle and disc stainless steel	PN25
V130	1	Cast iron / Brass	Vacon delivery	Regulating 3-way-valve DN65 + actuator (FV11)	PN16
V140	1	AISI304 / 316	Vacon delivery	Ballvalve DN80 Body CF8M, end connection AISI304 or 316, ball AISI316	PN16
V150	1	AISI304 / 316	Vacon delivery	Non-return valve 1/2"	PN40
V160	1	AISI304 / 316	Vacon delivery	Ballvalve 3-way G3/4", threaded	PN64
V161..62	2	AISI304 / 316	Vacon delivery	Ballvalve G 1/2"	PN64
V170	1	AISI304 / 316	Vacon delivery (option)	Ballvalve 1/2"	-
V180	1	Brass	Vacon delivery (option)	Balancing valve 1/2"	-
V201..05	5	-	Vacon delivery (option)	Ballvalve	-
V230..32	3	AISI304 / 316	Vacon delivery	Ballvalve G 1/2"	PN64
V301..02	2	AISI304 / 316	Projects specific delivery	Ballvalve 1/2", threaded	-
V31x..	-	AISI304 / 316	Projects specific delivery	Ballvalve 1/2", threaded	-
NXP0016 5	1	-	Vacon delivery	Frequency converter, NXP 0016 5 A5H1 SSV A1A2B500C5	-



Vacon	Project	STD HX-unit	Title	Prepared	A-M. Haka 29.10.2007	DCC	&	Object	=
	Customer	-	HXL300	Checked	U. Kähtävä 29.10.2007	Based on	VL39-5063-07	Loc.	+
	Doc. no.		PVC-C Piping	Approved	J-P. Sampola 29.10.2007	Proj. no	-	Doc. no.	
	Cust. ref.		P&ID	Vacon Oyj			VL39-5060-05	Revision	-
								Sheet	1/1
							Cont.		